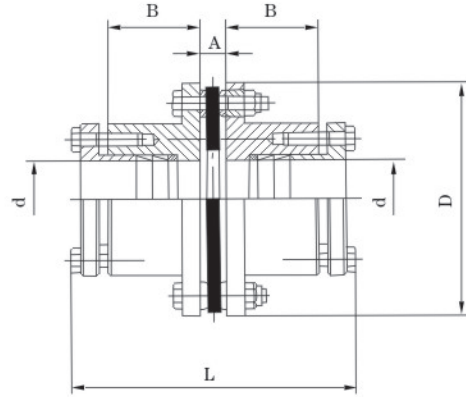


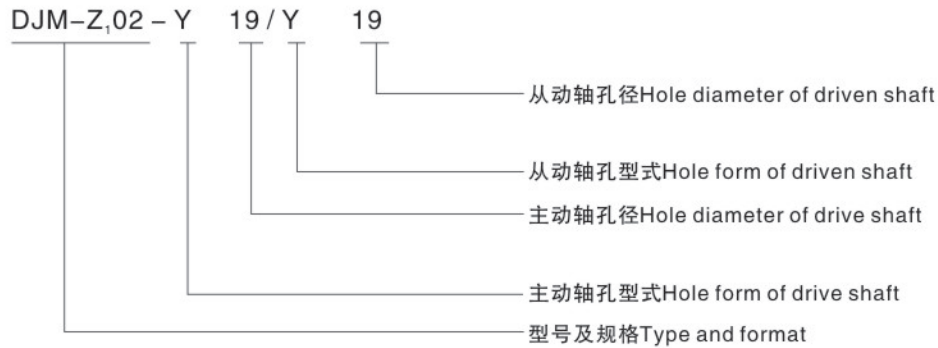
DJM-Z1型胀紧套联结弹性膜片联轴器
DJM-Z1 Type Bioated set binding elastic diaphragm Shaft coupling



DJM-Z₁型

◇标记示例: DJM-Z₁02 YT19/YT19

DJM-Z₁03 YT19/YA18 × 30



◇DJM-Z1型胀紧套联结弹性膜片联轴器的主要尺寸和参数

Main size and figure for ZDJM(T)type bloated set binding elastic diaphragm shaft coupling

规格 Specification	孔径d Diameter of hole mm	D mm	L mm	A mm	B mm	重量 Weight kg	最大转速 Limited rotational speed r/min	公称扭矩 Nominal torsion N.m	许用补偿量 Limited compensation	
									角向 Angle	轴向mm Axial
01	8-22	68	90	6.1	26	0.85	20000	33	1°	±0.8
02	10-32	81	95	6.6	26	1.2	20000	90	1°	±1.0
03	10-35	93	110	8.4	29	1.7	18000	173	1°	±1.2
04	10-42	104	124	11.2	34	2.7	15000	245	1°	±1.4
05	15-50	128	136	11.7	42	6.5	13000	420	1°	±1.6
06	15-60	143	158	11.7	48	8.9	12000	772	1°	±1.8
07	20-70	168	176	14	58	15.8	10000	1270	1°	±2.5