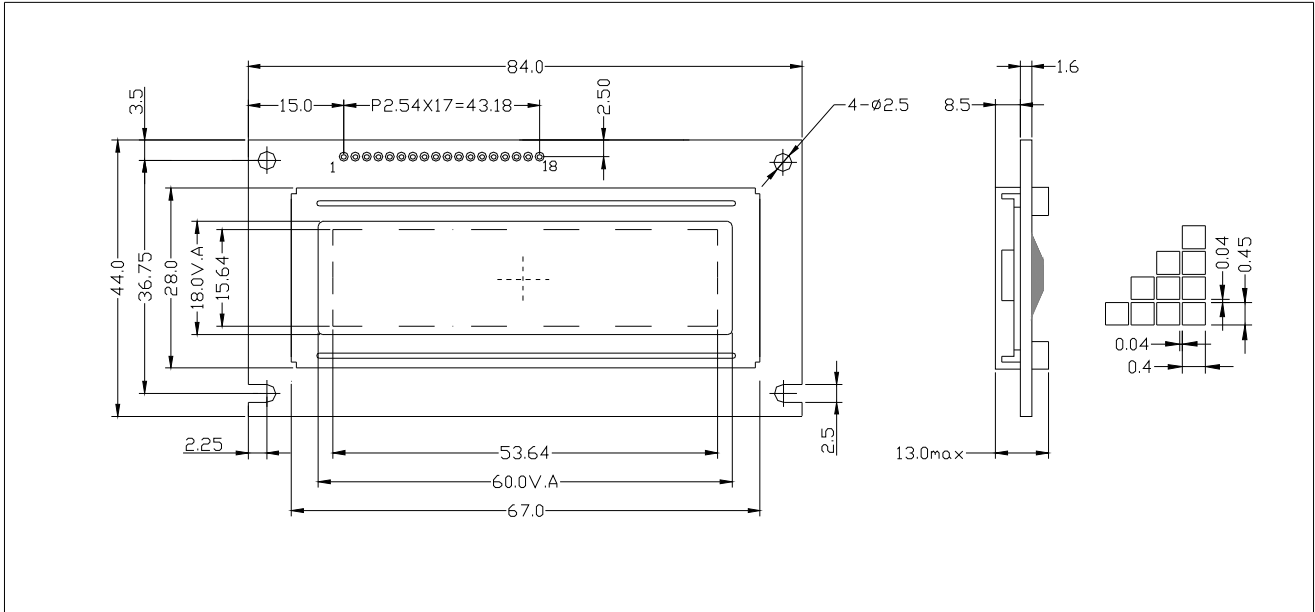


# HTM12232A ----- 深圳市洪泰显示科技有限公司

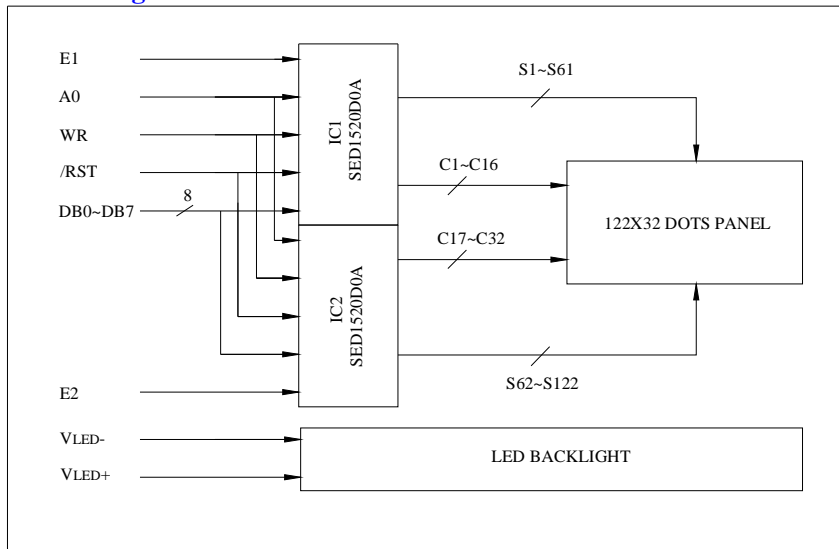
- \* 122x32 Dots
- \* View Angle ( 6 : 00 or 12 :00 )
- \* 1/32 Duty , 1/6 Bias
- \* EL or LED Backlight( Yellow , Blue , White )

- \* Reflective or Transflective or Transmissive
- \* STN (Yellow or Gray or Blue )
- \* Controller/Driver ( SED1520DOA )
- \* Operating Temp ( - 20°C~70°C )

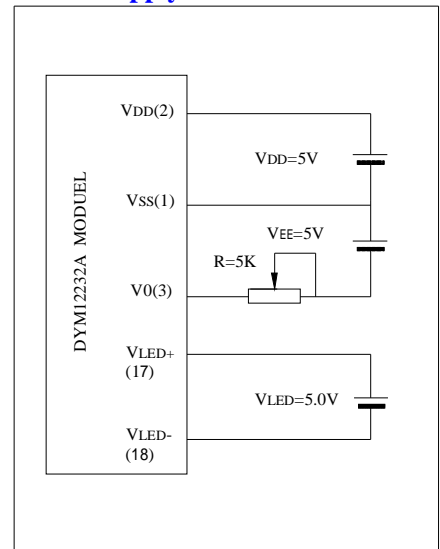
## Outline Dimensions



## Block Diagram



## Power Supply



## Mechanical Specifications      Electrical Specifications

Item	Description(mm)	Item	Symbol	Min	Typ	Max	Unit
Size	84.0(L)x44.0(W)x13.0(H)	Supply Voltage for Logic	VDD	4.75	5.0	5.25	V
V.A	60.0 (L) x 18.0 (W)	Supply Voltage for LCD	VLCD	4.7	5.0	5.3	V
Dot Pitch	0.44 x 0.49	Supply Current for Logic	IDD		1.0	3.0	mA
Dot Size	0.40 x 0.45	Supply Current for LED	IF			150	mA

## Interface Signals

Pin	Symbol	Level	Description	Pin	Symbol	Level	Description
1	VSS	0V	GND	7	RW	H/L	H: Data Read L: Data Write
2	VDD	+5V	Supply Voltage for logic				
3	V0		Operating Voltage for LCD	8~15	DB0~DB7	H/L	Data Bus
4	A0	H/L	H: Data L: Instruction	16	/RTS	L	Reset Signal
5	E1	L	Chip select signal for IC1	17	A	+5V	LED+
6	E2	L	Chip select signal for IC2	18	K	0V	LED-