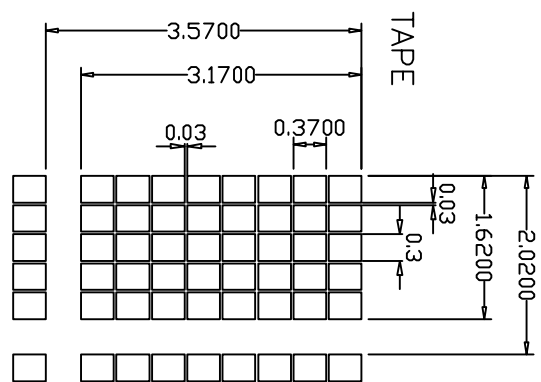
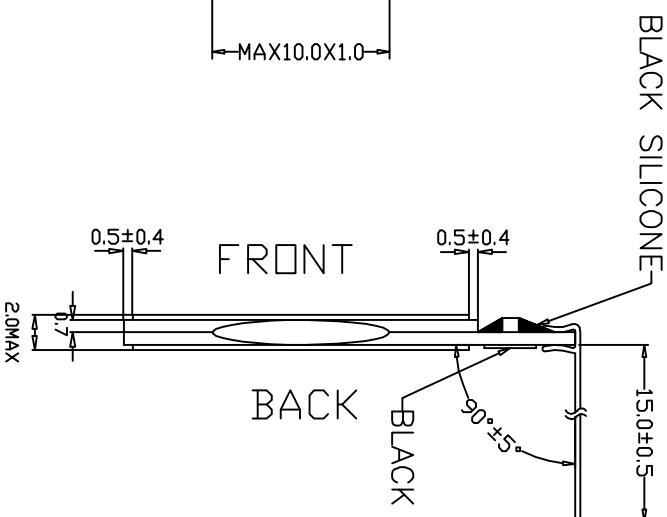


PIN	1	2	3	4	5	6	7
CONNECTION	RST	SCL	SDA	VSS	VDD	VOUT	C1P
PIN	8	9	10	11	12	13	
CONNECTION	C1N	V0	V1	V2	V3	V4	



**LCD type:** STN-YELLOW  
**Display mode:** Positive  
**Polarizer type:** T/H  
**Viewing Angle:** 6:00  
**Connector :** Pin

**Drive voltage:** 3.3V  
**Duty:** 1/25  
**Bias:** 1/5  
**Operating Temp:** 0°C~50°C  
**Storage Temp:** -10°C~60°C

**Customer No.:**

# HOT DISPLAY

Dwg Title		HTG1603A		Date	
Dwg No.				2004-10-28	
Scale	Unit	Tol.	±0.2		
mm	mm				
Drawn	Checked	Approved			
LIU					