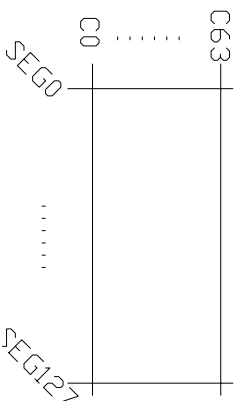


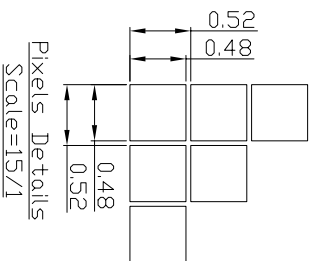
Backlight Circuit
Scale=2/1



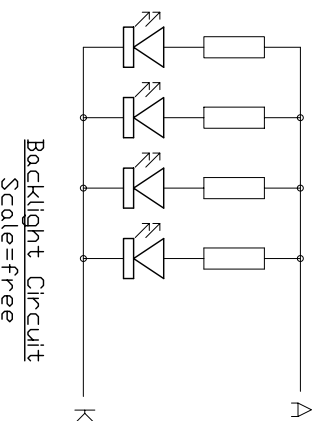
Panel Wiring Details
Scale=free

No.	Pin Name	Terminal
1	NC	
2	CS1B	
3	/RESET	
4	RS	
5	/WR	
6	/RD	
7	DB0	
8	DB1	
9	DB2	
10	DB3	
11	DB4	
12	DB5	
13	DB6	
14	DB7	
15	VSS	
16	VDD	
17	/VOUT	
18	CAP3+	
19	CAP3-	
20	CAP1+	
21	CAP1-	
22	CAP2+	
23	CAP2-	
24	VR	
25	V0	
26	V1	
27	V2	
28	V3	
29	V4	
30	INTRS	

- Note:
- *1. LCD Display Type : FSTN, Positive, Transflective
 - *2. Viewing Direction : 6H
 - *3. Duty : 1/65; Bias : 1/9; Vop : 9.0V
 - *4. Operating Voltage : 3.0V
 - *5. Operating Temperature : -10°C~60°C
 - *6. Storage Temperature : -20°C~70°C
 - *7. Control/Drive IC : NT7534
 - *8. Backlight : White LED(3.0V)



Pixel Details
Scale=15/1



Backlight Circuit
Scale=free

HOT DISPLAY

Dwg Title
HTG12864K1-K Outline Dwg

Dwg No. _____ Date 2010-03-18

Scale 6/5 Unit mm Tol. ±0.5

Drawn LIU Checked _____ Approved _____