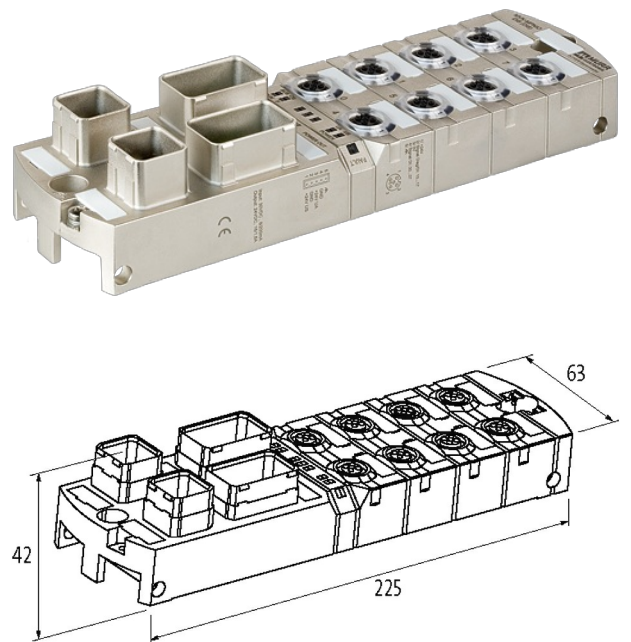


MVK+ MPNIO D18 DO8 PUSH PULL

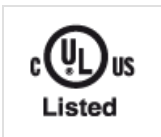
Use only as spare part! newer version! – contact Murrelektronik

Digital inputs/outputs
 D18 DO8
 Ethernet 10/100 Mbit/s; Push Pull RJ45 Data connector
 Push Pull Power connector, max. 12 A
 M12, 5-pole, A-coded
 FSU (Fast-Start-Up)

Connection cables are in the online shop under "Connection Technology". Housing fully potted.

[Link to Product](#)**Illustration**

Product may differ from Image

Approvals**More Info****Input**

Sensor supply US	24 V DC (EN 61131-2), max. 200 mA (M12 female), short-circuit and overload protected
Type	for 3-wire sensors or mechanical switches, PNP

Connections

Fieldbus	Ethernet 10/100 Mbit/s; Push Pull RJ45 Data connector
----------	---

Sensor-system/actuator supply	Push Pull Power connector, max. 12 A
I/O ports	M12, 5-pole, A-coded
General data	
Protection	IP67
Mounting method	2-hole screw mounting
Temperature range	0...+55 °C (storage temperature -20...+70 °C)
Dimensions H×W×D	42.7×63×225 mm
PROFINET	
FSU (Fast-Start-Up)	max. 500 ms
Specification	V2.2, Conformance Class B
Addressing	DCP
Output	
Actuator supply UA	24 V DC (EN 61131-2), max. 12 A
Switching current per output	max. 2 A (short-circuit and overload protected)
Lamp load	10 W
Parameterization	
PIN 4	Input (port 4...7); Output (port 0...3)
PIN 2	Input (port 4...7); Output (port 0...3)
Diagnostic	
Communication status	via LED
Diagnostic via LED	per module and channel
Diagnostic via BUS	per module and channel
Monitoring - under voltage	yes
Monitoring - no voltage	yes
Short-circuit and overload	yes
Actuator warning	per channel via LED and BUS
Cable break	per port
Commercial data	
country of origin	DE
customs tariff number	85389099
EAN	4048879051729
eClass	27242604
Packaging unit	1