

## 真空与极端温度的滚轮轴承

### Vacuum & Extreme Temperature Bearings and Track Rollers

HepcoMotion® Vacuum & Extreme Temperature Bearings and Track Rollers are designed for extreme environments. They are available in sizes from 18 to 54mm in diameter, with a broad range of fixing styles, and with load capacities from 180 to 4,200N. They can be used with stainless steel linear and curved slides from the Hepco SL2 and PRT2 ranges.

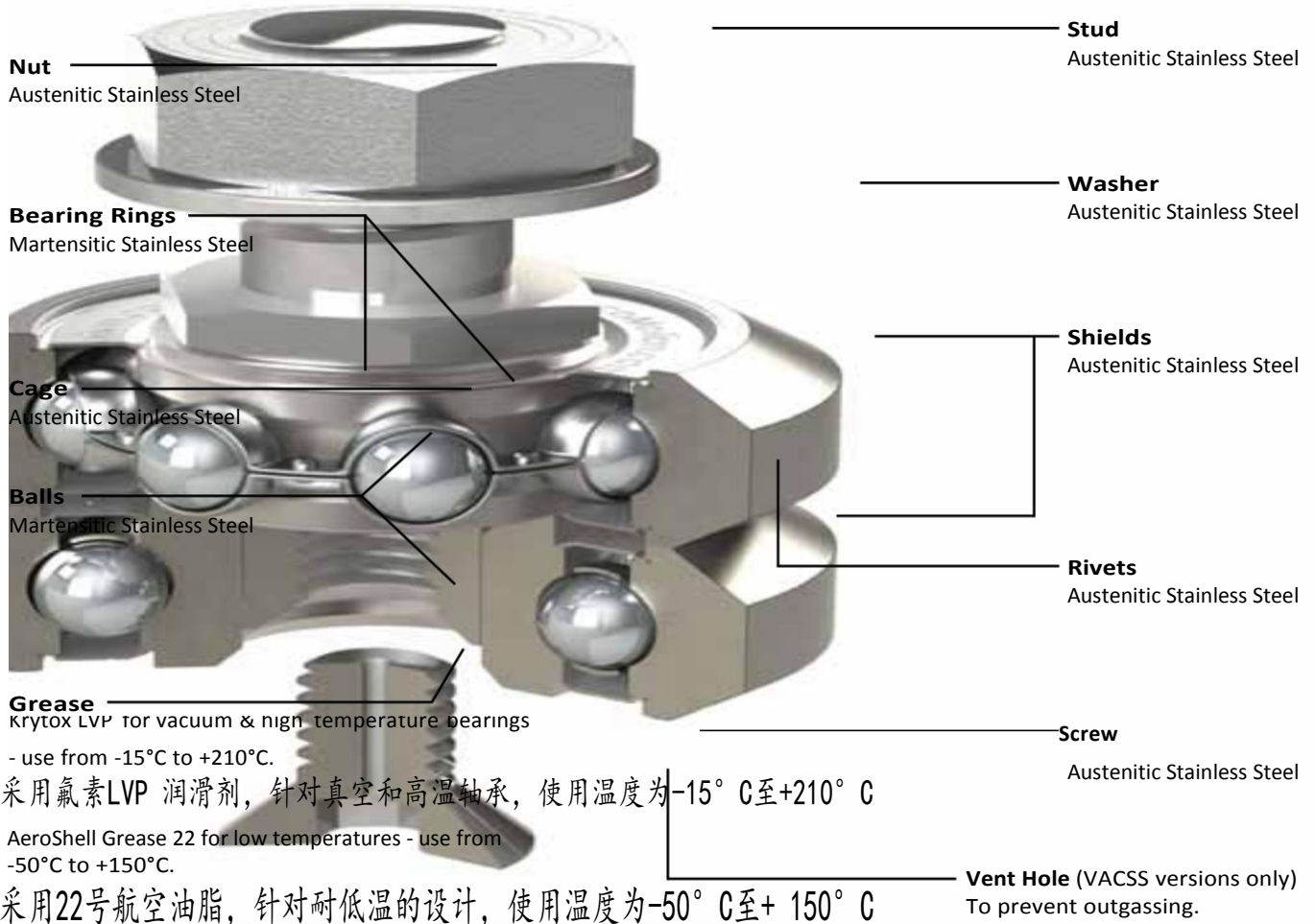
Both the VACSS range of vacuum & high temperature bearings and the LTSS range of low temperature bearings use components which are entirely made from stainless steel. Their construction and materials are shown below.

HepcoMotion真空和极端温度的滚轮轴承是专为极端环境设计。

他们提供直径大小为从18至54mm，具有广泛的使用特性，负载能力从180到4200n。

他们可以用在Hepco SL2和PRT2不锈钢直线和曲线导轨范围。

无论是vacss系列真空高温轴承和LTSS低温轴承使用的组件完全由不锈钢组成。



采用氟素LVP 润滑剂，针对真空和高温轴承，使用温度为-15° C至+210° C

AeroShell Grease 22 for low temperatures - use from -50°C to +150°C.

采用22号航空油脂，针对耐低温的设计，使用温度为-50° C至+ 150° C



...BHJ34E, See 3



Track Roller, See 4

# Vacuum & High Temperature Bearings



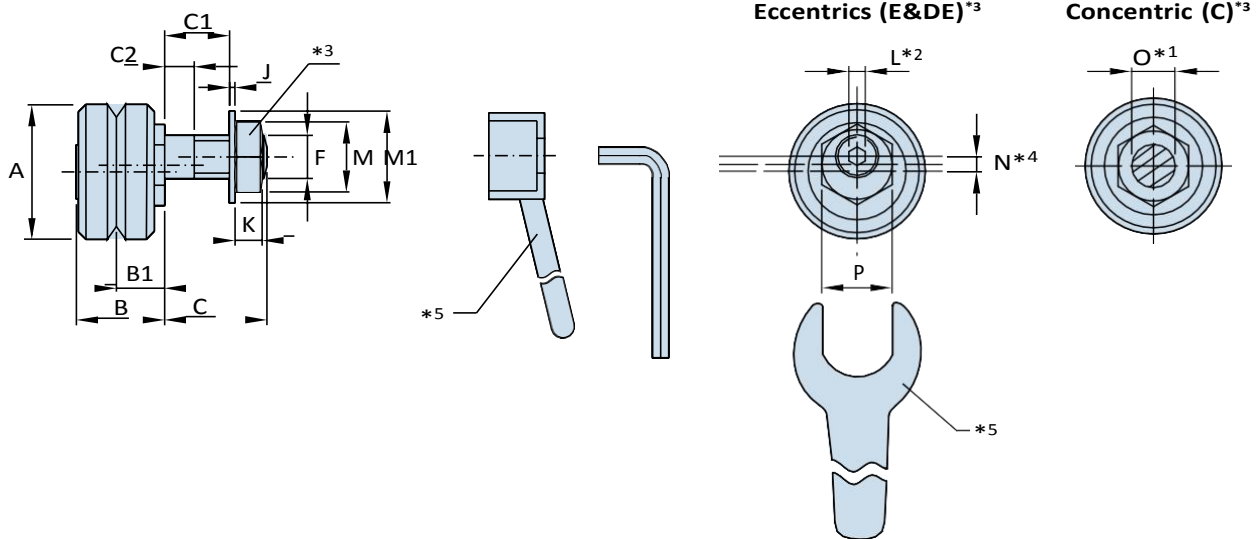
Hepco VACSS Vacuum & High Temperature Bearings are made entirely from stainless steel parts and are lubricated internally for life using Krytox LVP grease. They are suitable for use in high vacuum, at temperatures from -15°C to +210°C, and in the presence of oxygen. They are widely used in applications including semiconductor wafer manufacture, aerospace components, vapour deposition processes, LCD panel and plasma display manufacture and in vacuum evaporation equipment.

The bearings have the same dimensions as those in the HepcoMotion SL2 range (visit [www.HepcoMotion.com/SL2datauk](http://www.HepcoMotion.com/SL2datauk) and select SL2 catalogue 12-13). They are compatible with SL2 stainless steel linear slides, as well as the stainless steel rings and tracks in the Hepco PRT2 range (visit [www.HepcoMotion.com/PRT2datauk](http://www.HepcoMotion.com/PRT2datauk)).

The ...J18... bearings have a different construction to the larger sizes, using a one-piece outer wheel into which two smaller bearings are fitted. This size is not available in the low temperature LTSS version.

These bearings can be supplied with alternative grease, without grease or without shields, on request.

## Through Fixing Type (SJ/LJ)



Part Number	A	B	B1	C		C1		C2		D ±0.025	E
				SJ	LJ	SJ	LJ	SJ	LJ		
...J18...	18	12.4	6.75	7.4	14	3.4	10	2.4	2.5	14.00	7
...J25...	25	16.6	9	9.8	19	3.8	13	2.2	4.9	20.27	10
...J34...	34	21.3	11.5	13.8	22	6.6	14.8	5.2	5.9	27.13	12
...J54...	54	34.7	19	17.8	30	8.2	20.4	5.7	7.9	41.76	25

Q	R <sup>*4</sup>	S	S1	T	T1	T2	U ±0.1	U1	V	W	X	Y	Z
2	1.2	8	10.5	10	4	8	38	54	11	24.5	M4	7	7
3	1.5	7	9	12	5	10	50	72	14	32	M5	8.5	10
4	2.0	9.5	8.5	17.5	6.5	12.5	60	90.5	17	42	M6	10	14
8	3.0	14.5	16.4	23.5	10.5	18.5	89.5	133	25	62	M8	13	20

## Notes:

1. It is recommended that holes to suit bearing mounting studs should be reamed to tolerance F6 for a sliding fit.
2. Eccentric bearing fixing studs are supplied with hexagon sockets for adjustment as shown.
3. Nuts and washers are supplied with both concentric and eccentric SJ/LJ type bearings.
4. 'N' is the eccentric offset due to the eccentric design (2 x N = total stroke). R dimension is both the eccentric offset of the adjusting nut and total stroke at the bearing centreline.
5. For adjusting tool part numbers see table. For adjustment procedure and fixing nut tightening torques see HepcoMotion SL2 catalogue 20.
6. To calculate the load capacity and life of systems using these bearings, please use the methods shown in the HepcoMotion GV3 catalogue (visit [www.HepcoMotion.com/GV3datauk](http://www.HepcoMotion.com/GV3datauk) and select GV3 catalogue 59).

# Low Temperature Bearings

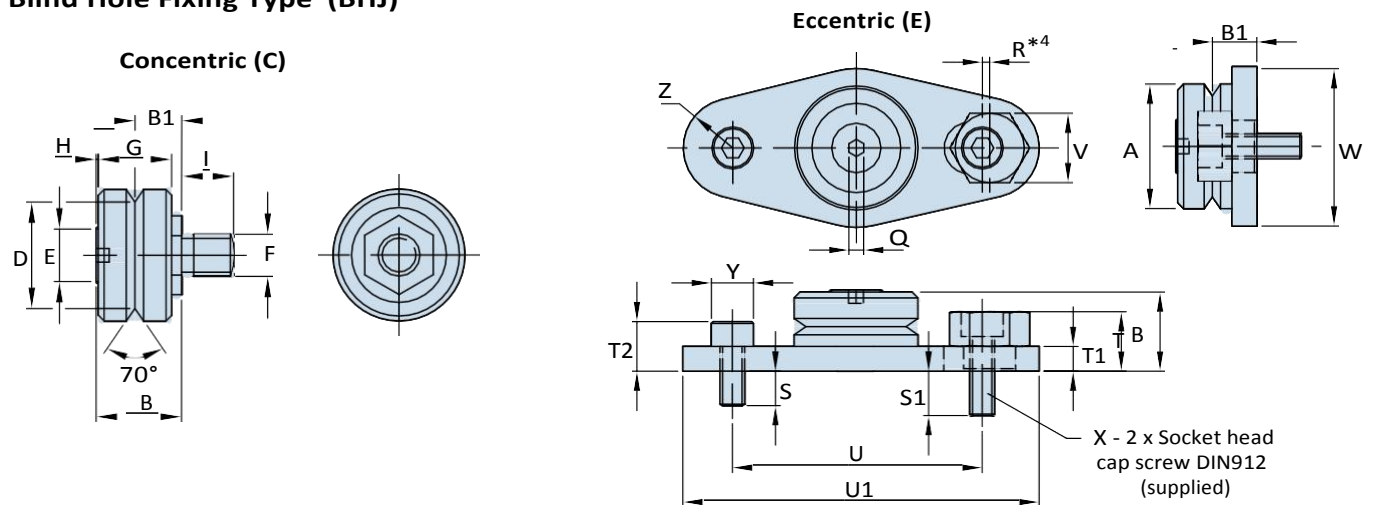


Hepco LTSS Low Temperature Bearings are lubricated internally for life using AeroShell Grease 22 which is suitable for use at temperatures from -50°C to +150°C. This lubricant enables use in much colder conditions than the VACSS bearings, opening up applications in cold stores and specialised freeze dry equipment.

**Through Hole Fixing** type is available in two stud lengths covering most thicknesses of mounting plate. Both are available in **Concentric (C)** which are fixed, **Eccentric (E)**, adjustable, and **Double Eccentric (DE)** which have sufficient adjustment to enable a carriage to be disengaged from the slide.

**Blind Hole Fixing type (BHJ)** allows mounting into a solid machine base where through mounting holes are not possible, or where the thickness of the mounting plate is too great. The Blind Hole Fixing type is also useful where adjustment from the front is preferred or where access to the opposite side of the mounting hole is restricted. They are available in **Concentric (C)** which are fixed, or **Eccentric (E)** which are adjustable.

## Blind Hole Fixing Type (BHJ)



F Metric Fine	G	H	I	J	K	L	M	M1	N*4		O*1 +0.0 -0.03	P
									...E	...DE		
M6 x 0.75	10	0.6	7.4	0.8	3.2	2.5	10	13	0.7	2.6	6	11
M8 x 1	14	0.5	9.8	1	5	3	13	17	0.75	2.75	8	13
M10 x 1.25	18	0.7	13.8	1.25	6	4	17	21	1	3.6	10	15
M14 x 1.5	28	1.6	17.8	1.6	8	6	22	28	1.5	5.5	14	27

Adjusting Wrench*5	Socket Tool*5	Max Working Load Capacities (N)*6				Basic Life*6		Weight g				Part Number
		Lubricated		Dry		Lubricated	Dry	SJ..C/E	LJ..C/E	BHJ..C	BHJ..E	
		Axial	Radial	Axial	Radial							
AT18	RT6	60	180	36	72	80	50	19	20	18	45	...J18...
AT25	RT8	240	450	80	160	50	70	48	51	43	105	...J25...
AT34	RT10	520	900	160	320	100	100	115	120	105	235	...J34...
AT54	RT14	1,350	2,400	360	720	250	150	415	425	390	800	...J54...

## Ordering Details

Bearing Type: **VAC** = Vacuum & High Temperature  
**LT** = Low Temperature

**SS** = Stainless steel

Fixing type: **SJ** = Short stud  
**LJ** = Long stud  
**BHJ** = Blind hole fixing

Journal type: **C** = Concentric (fixed)  
**E** = Eccentric (adjustable)  
**DE** = Eccentric (adjustable SJ/LJ only)

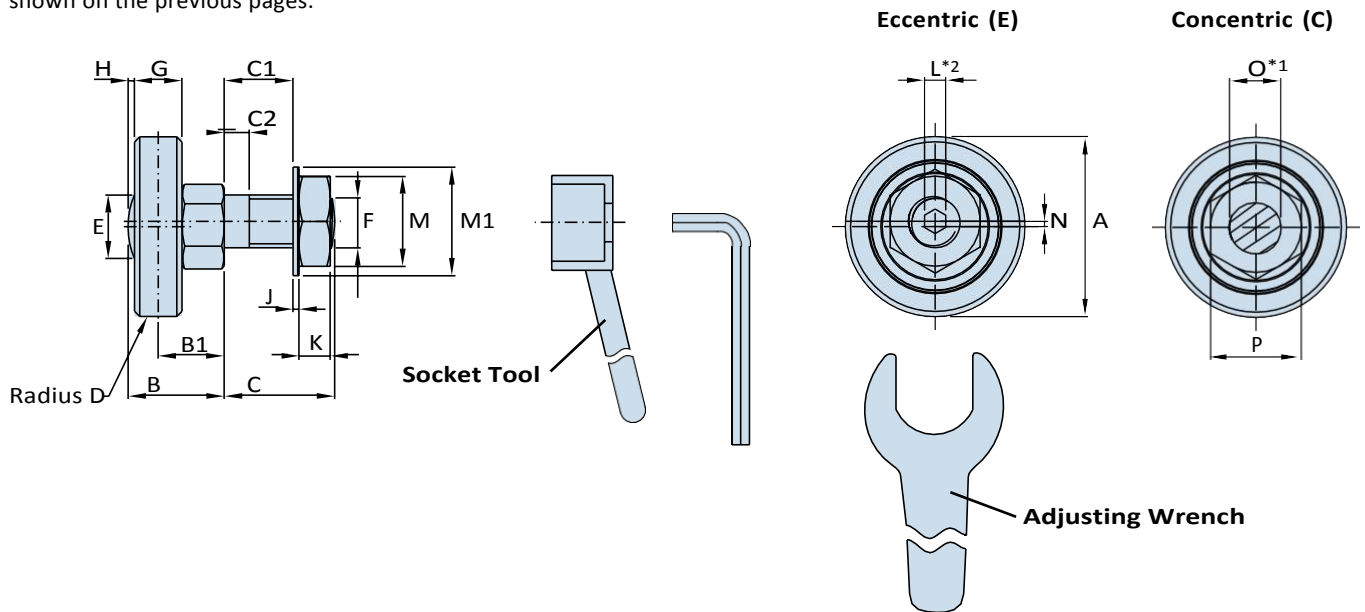
Bearing diameter options are **18, 25, 34 & 54**  
 (Size 18 not available as LT grade)

# Vacuum & Extreme Temperature Track Rollers



HepcoMotion Vacuum & High Temperature and Low Temperature Track Rollers are available mounted on both concentric and eccentric through hole fixing studs. They are available in diameters 25, 34 & 54mm with load capacities up to 4,200N. Track rollers can be run with any suitable flat track, or can be used as cam-followers.

Materials and greases are the same as are used on the VACSS vacuum & high temperature and LTSS low temperature V bearings shown on the previous pages.



Part Number	A	B	B1	C	C1	C2	D	E	F Metric Fine	G	H	J	K
...LRN25...	25	14.5	10	19	13	5	500	10	M8x1	7	1	1	5
...LRN34...	34	18.2	12.5	22	14.8	6	500	12	M10x1.25	9	1.2	1.25	6
...LRN54...	54	29.5	21	30	20.4	8	500	23.5	M14x1.5	14	1.4	1.6	8

L*2	M	M1	N	O*1 +0 -0.03	P	Adjusting Wrench	Socket Tool	Weight g	Max Working Load Capacity*4	Roller Static and Dynamic Radial Load Capacities (N) <sup>3</sup>	
										Co	C
3	13	17	0.75	8	13	AT25	RT8	40	800	1,092	2,632
4	17	21	1	10	15	AT34	RT10	85	1,400	1,905	4,078
6	22	28	1.5	14	27	AT54	RT14	310	4,200	5,319	10,965

## Ordering Details

Bearing Type: **VAC** = Vacuum & High Temperature  
**LT** = Low Temperature  
**SS** = Stainless steel

**LRN25 C**  
**C** = Concentric (fixed) or **E** = Eccentric (Adjustable)  
**LRN** = Indicates a track roller, 25 denotes the diameter in mm

## Notes:

- It is recommended that holes to suit Track Roller mounting studs should be reamed to tolerance F6 for a sliding fit.
- Eccentric Track Roller fixing studs are supplied with hexagon sockets for adjustment as shown.
- The quoted static and dynamic load capacities are based on industry standard calculations. These do not accurately reflect system performance, and are only provided for comparison with other systems.
- Please use the Max Working Load figures and the load/life calculations shown in the HepcoMotion GV3 catalogue to determine roller performance (visit [www.HepcoMotion.com/GV3datauk](http://www.HepcoMotion.com/GV3datauk) and select GV3 catalogue 60).

广州权硕机电设备有限公司  
 Hepco总代理  
 有详细3D图纸提供  
 联系: 何工: 13728889034  
 Q Q225038320



地 址: 广州市天河区沙太路银利街28号广州银利电子商务中心315房  
 深圳办: 深圳市光明新区公明街道东环大道松柏. 中创汇2A401