



HIGH PRESSURE RING BLOWER

环型高压鼓风机
低噪音 • 高效能



VFC SERIES



VFZ SERIES

世界级品牌及质量
FRONT RUNNING IN THE WORLD



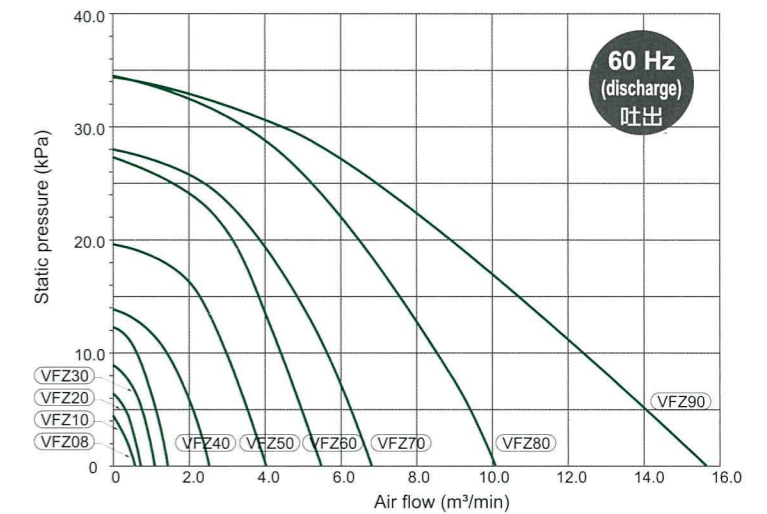
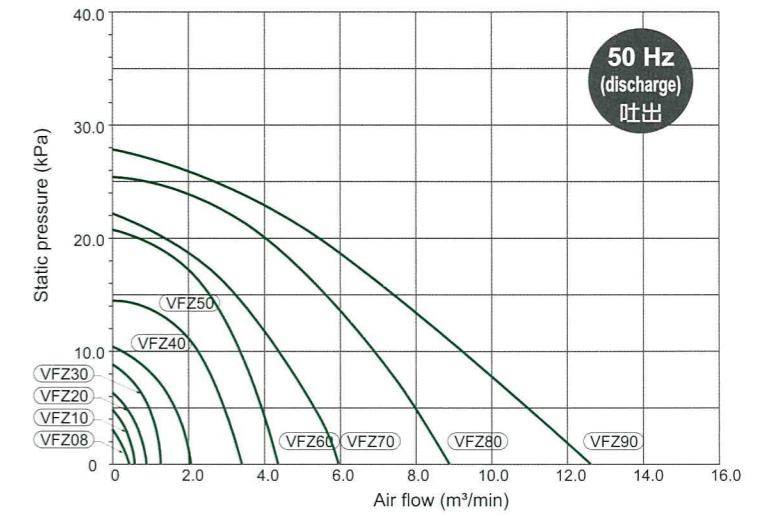
ISO 9001:2008
Certificate No. EQAICC-Q-R4574
ISO 14001:2004
Certificate No. EA060451

標準仕様 Standard specification

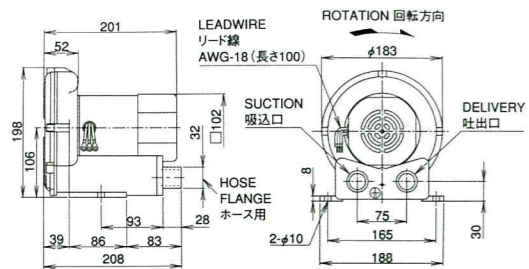
機種選定図 Selection diagrams

形式 Model	电压 Voltage [V]	周波数 Frequency [Hz]	吐出特性 Discharge characteristics				噪音値 Noise level [dB (A)]	吸・吐口径 Inlet and outlet diameters [mm, 吋 inches]	概略重量 Approximate mass [kg]	启动电流 Starting current [A]			
			最大特性 Maximum values		定格値 Rated values								
			出力 Output [kW]	电流 Current [A]	静圧 Static pressure [kPa]	空气量 Maximum discharge air flow [m³/min]	静圧 Static pressure [kPa]	风量 Flow [m³/min]					
VFZ081A-4Z	3Φ 380 400 415 400 440	50 / 60	0.06/0.08	0.2-0.2-0.21/0.22-0.21	3.73/4.85	0.47/0.56	1.96	0.25/0.35	53.0/55.5	32	5.5	1.0-1.1-1.1/1.0-1.1	
VFZ101A-4Z			0.09/0.12	0.26-0.26-0.27/0.31-0.3	5.15/6.37	0.58/0.69	2.94	0.35/0.50	52.5/56.5	32	7.5	2.0-2.1-2.1/1.9-2.1	
VFZ201A-4Z			0.17/0.28	0.6-0.63-0.66/0.7-0.68	6.67/9.02	0.90/1.09	2.94	0.64/0.84	57.5/62.0	32	9.0	3.6-3.9-4.0/3.4-3.7	
VFZ301A-4Z			0.28/0.42	0.86-0.9-0.95/0.95-0.9	9.32/12.4	1.28/1.40	3.92	0.9/1.1	58.0/62.0	38	11.0	5.9-6.5-6.7/6.1-6.7	
VFZ401A-4Z			0.55/0.85	1.7-1.6-1.5/1.9-1.8	10.4/14.1	2.0/2.5	4.90	1.45/1.95	65.5/69.5	50, R1½	19.0	13.0-13.5-14.0/12.5-14.0	
VFZ501A-4Z			1.3/1.9	2.6-2.7-2.8/3.7-3.4	14.7/19.6	3.4/4.0	6.86	2.4/3.0	70.5/74.5	50, R1½	27.5	23.3-24.5-25.5/23.0-25.5	
VFZ601A-4Z			2.3/3.4	5.6-5.8-6/6.5-6.3	21.1/27.5	4.2/5.5	9.81	3.2/4.4	70.0/74.5	63, R2	43	47.5-50.0-52.0/44.0-48.5	
VFZ701A-4Z			3.3/5.0	8.1-8-8/10-9.5	21.6/28.4	6.2/7.2	9.81	4.4/5.7	75.0/79.5	Rp2	50	67-73-77/63-68	
VFZ801A-4Z			5.0/7.0	11-10.5-10/14-13	25.5/33.3	8.7/10.3	9.81	6.3/8.5	78.0/81.0	Rp2½	89	83-88-92/80-85	
VFZ901A-4Z			7.0/11.0	15-15-15/19-18	25.5/31.4	13/15.5	14.7	7.5/10.8	79.5/83	Rp3	107	105-105-105/136-126	
VFC080P-5T	1Φ 115 / 230	60	0.08	1.2/0.6	4.85	0.56	max.4.9	max.0.56	55.5	32	6.0	3.2/1.6	
VFC100P-5T			0.12	1.5/0.75	6.86	0.69	max.6.8	max.0.7	56.5	NPSC1	8.6	8.4/4.2	
VFC200P-5T			0.24	3.6/1.8	8.63	1.05	max.8.5	max.1.05	62.0	NPSC1	10.0	11.0/5.5	
VFC300P-5T			0.38	5.0/2.5	12.0	1.45	max.10.9	max.1.45	62.0	NPSC1¼	12.3	17.0/8.5	
VFC400P-5T			0.75	8.6/4.3	13.2	2.45	max.13.2	max.2.45	69.5	NPSC1½	23	24/12	
VFC080A-2T (4W)			3Φ, 200 / 230 / (460)	0.08-0.08	0.42-0.40(0.21-0.20)	4.85	0.56	max.4.9	max.0.56	55.5	32	6.0	1.8-2.1(1.1)
VFC100A-7W			0.112-0.12/0.12	0.53-0.52/0.26	6.37	0.69	max.6.4	max.0.7	56.5	NPSC1	8.6	2.0-2.4/1.2	
VFC200A-7W			0.25-0.28/0.28	1.2-1.2/0.6	9.02	1.09	max.9.0	max.1.1	62.0	NPSC1	10.0	5.2-6.0/3.0	
VFC300A-7W			0.35-0.42/0.42	1.5-1.7/0.85	12.4	1.4	max.12.4	max.1.45	62.0	NPSC1¼	11.5	7.2-8.0/4.0	
VFC400A-7W			0.75-0.82/0.82	3.3-2.8/1.4	14.1	2.5	max.14.0	max.2.5	69.5	NPSC1½	21.5	15.0-16.5/9.2	
VFC500A-7W	1.9-1.9/1.9	6.9-6.2/3.1	19.6	4.0	max.18.4	max.4.0	74.5	NPSC1½	32	44-52/26			
VFC600A-7W	3.1-3.4/3.4	12-11/5.5	27.5	5.5	max.25.5	max.5.5	74.5	NPSC2	52	78-90/45			
VFC700A-7W	4.1-5.0/5.0	15.6-16/8	28.4	7.2	max.25.1	max.7.2	79.5	NPSC2	82	110-115/58			
VFC800A-7W	6.5-7.5/7.5	26-23/11.5	33.3	10.3	max.29.0	max.10.3	81.0	NPSC2½	130	144-160/80			
VFC904A-7W	13-15/15	48-44/22	31.4	15.5	max.27.9	max.15.5	83.0	NPSC3	205	290-330/165			
VFC108AF-S	3Φ △220 / 220 λ380 / 380	50 / 60	0.09/0.12	0.28/0.33	5.15/6.37(525/650)	0.58/0.69	2.94(300)	0.35/0.50	52.5/56.5	PS1	7.0	2/1.9	
VFC208AF-S			0.17/0.28	1.3-0.75/1.3-0.74	6.67/9.02(680/920)	0.90/1.09	2.94(300)	0.64/0.84	57.5/62.0	PS1	7.0	8.1-4.7/7.4-4.3	
VFC308AF-S			0.28/0.42	1.7-0.95/1.7-1.0	9.32/12.4(950/1260)	1.28/1.40	3.92(400)	0.9/1.1	58.0/62.0	PS1¼	11	11.5-6.7/10.5-6.1	
VFC408AF-S			0.55/0.85	2.9-1.7/3.4-2	10.4/14.1(1060/1440)	2.0/2.5	4.90(500)	1.45/1.95	65.5/69.5	PS1½	21	26-15/24.14	
VFC508AF-S			1.3/1.9	5-2.9/6.7-3.9	14.7/19.6(1500/2000)	3.4/4.0	6.86(700)	2.4/3.0	70.5/74.5	PS1½	33	47-27.5/42-24.5	
VFC608AF-S			2.3/3.4	9-5.2-11.5-6.8	21.1/27.5(2150/2800)	4.2/5.5	9.81(1000)	3.2/4.4	70.0/74.5	PS2	50	105-61/94-55	
VFC708AF-S			3.3/5.0	13.5-7.9/19-11	21.6/28.4(2200/2900)	6.2/7.2	9.81(1000)	4.4/5.7	75.0/79.5	PS2	84	133-77/177-68	
VFC808AF-S			5.5/7.5	18-10.5/25-14.5	25.5/33.3(2600/3200)	8.7/10.3	9.81(1000)	6.3/8.5	78.0/81.0	NPSC2½	132	207-120/175-101	

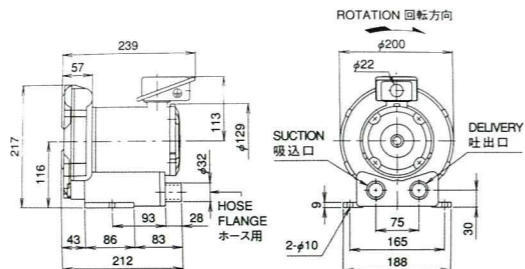
1. 产品备有多种电压选择。There is different voltage can be selected.
2. 本公司保有型录规格内容修订权且不另行通知。It will be with no notice when catalogue specification changed.



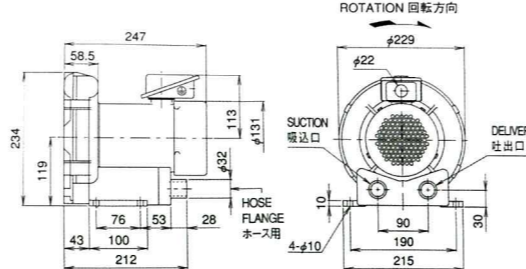
VFZ081A VFZ081A-4Z



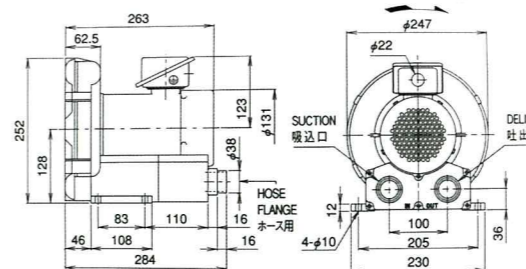
VFZ101A VFZ101A-4Z



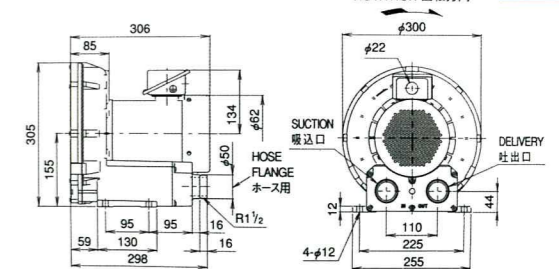
VFZ201A VFZ201A-4Z



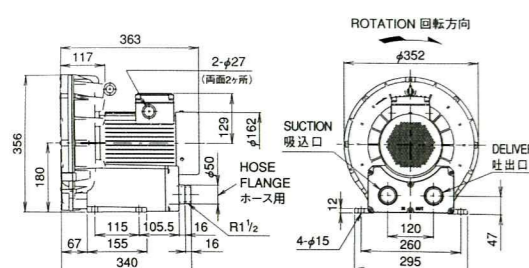
VFZ301A VFZ301A-4Z



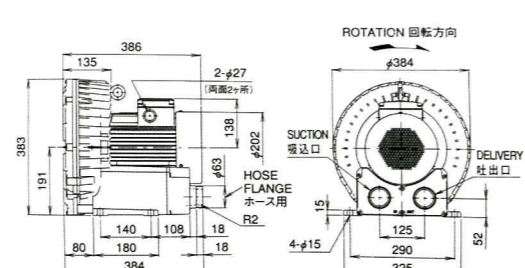
VFZ401A VFZ401A-4Z



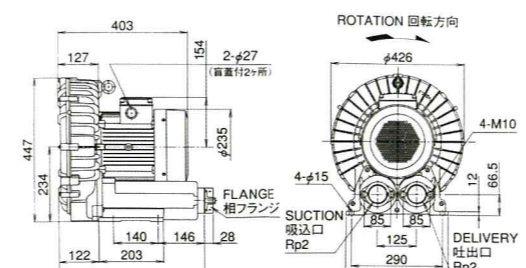
VFZ501A VFZ501A-4Z



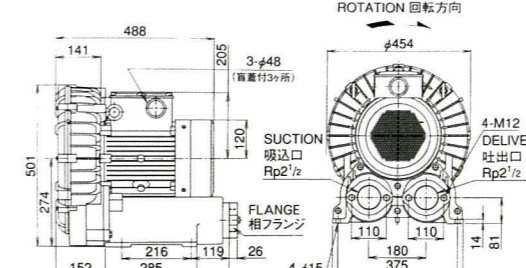
VFZ601A VFZ601A-4Z



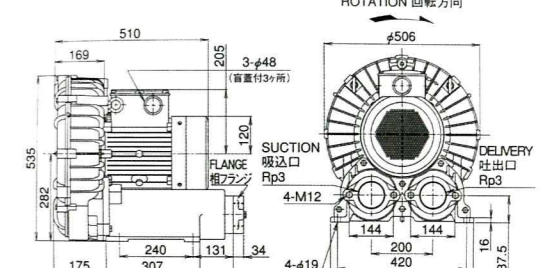
VFZ701A VFZ701A-4Z



VFZ801A VFZ801A-4Z



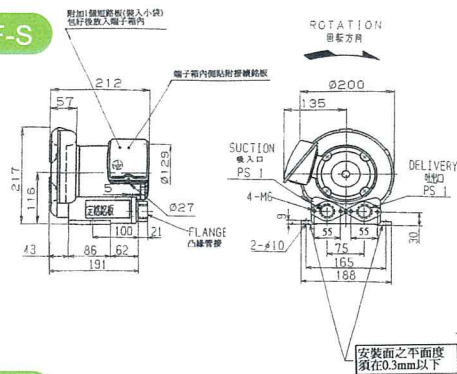
VFZ901A VFZ901A-4Z



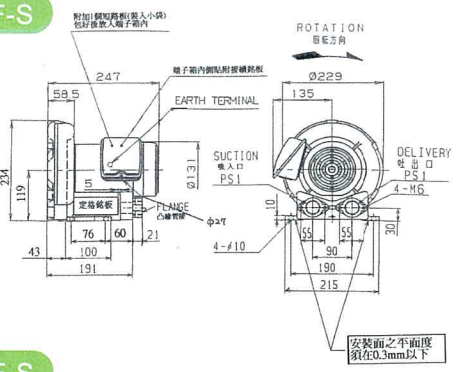
外型尺寸圖

Dimensional outline drawing

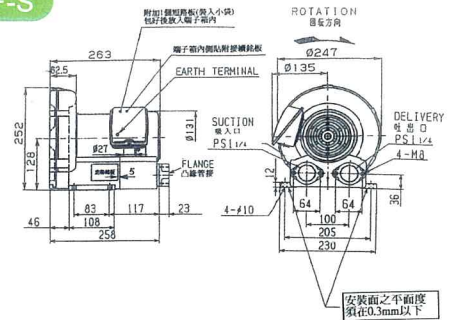
VFC108AF-S



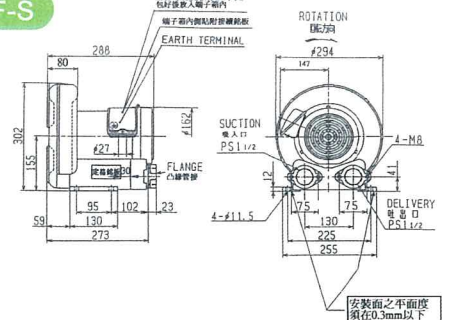
VFC208AF-S



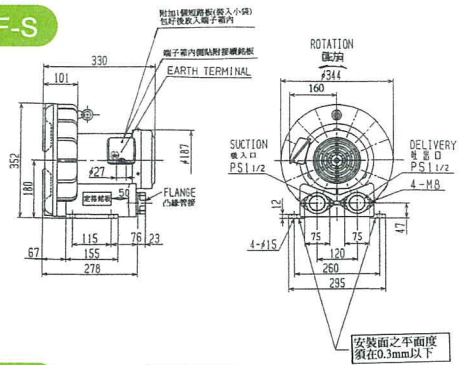
VFC308AF-S



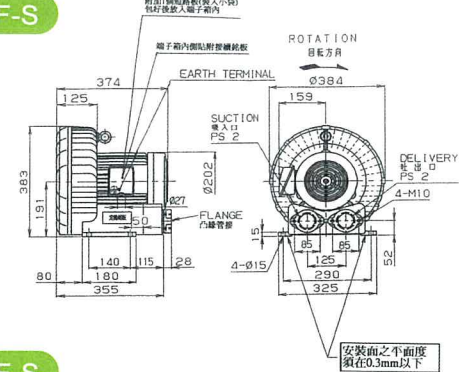
VFC408AF-S



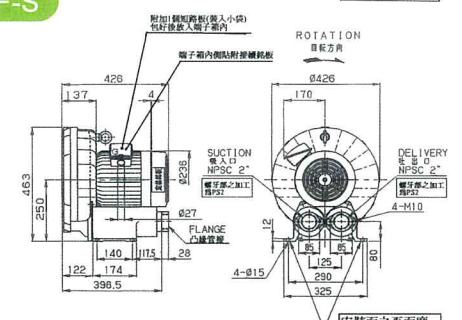
VFC508AF-S



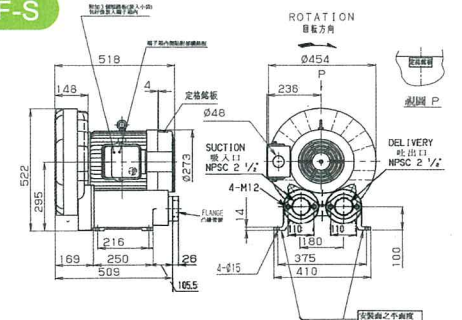
VFC608AF-S



VFC708AF-S



VFC808AF-S



ATAI FUJI

亚台富士精机股份有限公司
Atai Fuji Motor Co., Ltd.

台湾省桃园县卢竹乡长兴路二段32号
No. 32, Sec. 2, Chang-Hsing Rd., Lu-Chu Hsiang,
Taoyuan Hsien, Taiwan
TEL : +886-3-321-3030 FAX : +886-3-321-7890
http : // www.ataifuji.com.tw

经销商 Distributor