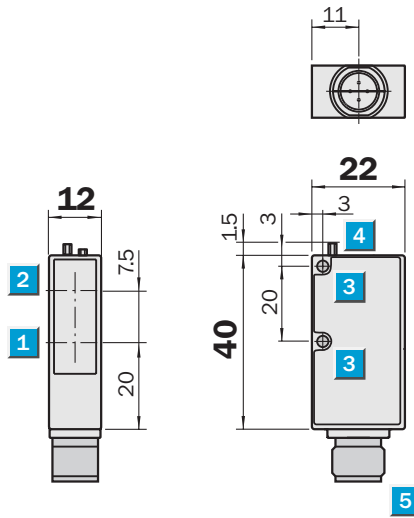

**Scanning distance**  
**150 mm**

Photoelectric proximity switches

- Laser red light, class 2
- Background suppression adjustable
- Switching frequency 1000/s
- Compact housing made of ABS

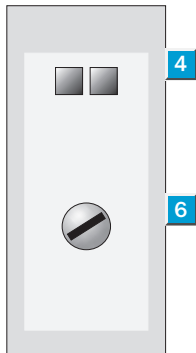
**Dimensional drawing**



**Adjustments possible**

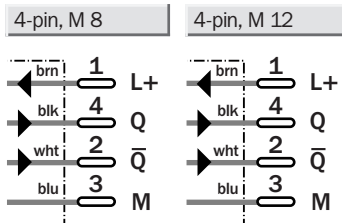
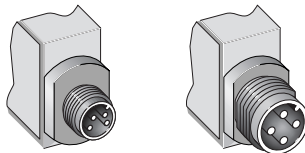
WT 9L-P330
WT 9L-P430
WT 9L-N330
WT 9L-N430

- 1** Centre of optical axis, sender
- 2** Centre of optical axis, receiver
- 3** Mounting hole  $\varnothing$  3.2 mm
- 4** Power indicator green;  
LED signal strength indicator yellow
- 5** Plug M 12 or M 8, 4-pin
- 6** Scanning distance adjustment



**Connection types**

WT 9L-P330	WT 9L-P430
WT 9L-N330	WT 9L-N430



**Accessories**

Connectors
Mounting systems

Technical data		WT 9L-	P330	P430	N330	N430						
Scanning distance <sup>1)</sup>	30 ... 150 mm, adjustable											
Supply voltage $V_S$	10 ... 30 V DC <sup>2)</sup>											
Ripple <sup>3)</sup>	< 5 $V_{pp}$											
Current consumption <sup>4)</sup>	< 35 mA											
Light source <sup>5)</sup> , light type	Laser, red light; class 2											
Focusing position/light spot diameter	60 mm/< 0.5 mm											
Switching outputs Q and $\bar{Q}$	PNP											
	NPN											
PNP; signal voltage HIGH	$V_S - 2$ V											
PNP; signal voltage LOW	Approx. 0 V											
NPN; signal voltage HIGH	$V_S$											
NPN; signal voltage LOW <sup>6)</sup>	$V_S < 2$ V											
Output current $I_A$ max.	< 100 mA											
Response time <sup>7)</sup>	< 0.6 ms											
Max. switching frequency <sup>8)</sup>	1000/s											
Connection types	Plug M 12, 4-pin											
	Plug M 8, 4-pin											
VDE protection class <sup>9)</sup>	□ (plug M 12)											
	III (plug M 8)											
Enclosure rating	IP 67											
Circuit protection <sup>10)</sup>	A, B, C											
Ambient temperature $T_A$ <sup>11)</sup>	Operation - 10 ... + 50 °C											
	Storage - 25 ... + 70 °C											
Weight with plug	Approx. 20 g											
Housing material	ABS											

<sup>1)</sup> Object with 90 % remission (based on standard white DIN 5033)  
<sup>2)</sup> Limit values  
<sup>3)</sup> May not exceed or fall short of  $V_S$  tolerances  
<sup>4)</sup> Without load

<sup>5)</sup> Average service life 50,000 h at  $T_A = + 25$  °C  
<sup>6)</sup> At  $T_A = + 25$  °C and 100 mA output current  
<sup>7)</sup> Signal transit time with resistive load  
<sup>8)</sup> With light/dark ratio 1:1

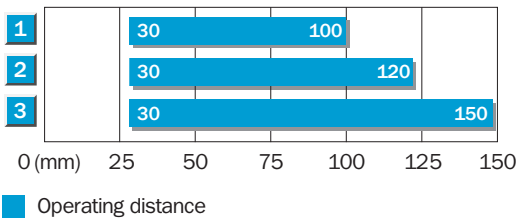
<sup>9)</sup> Reference voltage 50 V  
<sup>10)</sup> A =  $V_S$  connections reverse-polarity protected  
 B = Outputs reverse-polarity protected  
 C = Interference pulse suppression

<sup>11)</sup> Do not stack devices

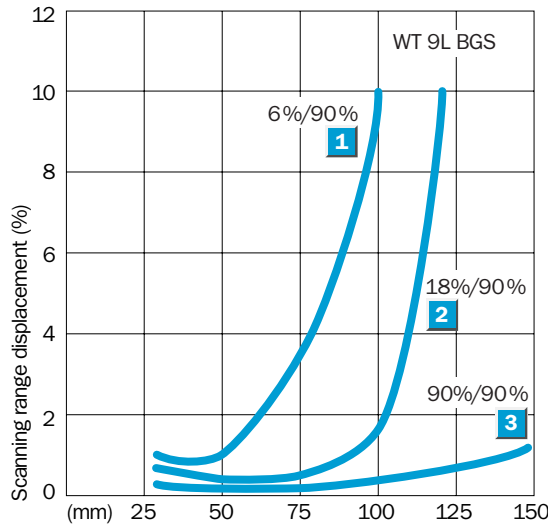
**Laser protection**

EN 60825-1, class 2  
 CDRH 1040.10, class 2

**Scanning distance**



- 1 Scanning range on black, 6 % remission
- 2 Scanning range on grey, 18 % remission
- 3 Scanning range on white, 90 % remission



**Order information**

Type	Part no.
WT 9L-P330	1 023 977
WT 9L-P430	1 023 959
WT 9L-N330	1 023 991
WT 9L-N430	1 023 990