

- > **Port size: 3/4" ... 1 1/4" (ISO G, PTF)**
- > **High efficiency oil and particle removal**
- > **Standard service indicator turns from green to red when the filter element needs to be replaced**



Technical features

Medium:

Compressed air

Operating pressure:

17 bar (250 psi) maximum

Particle removal:

Down to 0,01 µm

Flow:

See below

Port size:

3/4", 1" or 1 1/4"

Maximum remaining oil content of air leaving the filter:

0,01 ppm at +20°C (+70°F) when air is pre-filtered with a Norgren oil removal filter

Drain:

Manual or automatic

Bowl size:

1 litre (1 quart US)

Ambient/Media temperature:

-34° ... +65°C (-30° ... +150°F)

Air supply must be dry enough to avoid ice formation at temperatures below +2°C (+35°F).

Materials:

Body and bowl: aluminum

Bowl sight glass: pyrex



Elastomers: NBR

Filter element: synthetic fiber and PU foam

Note:

Install an F17 filter with a 5 µm filter element upstream of the F46 filter for maximum service life.

Technical data, standard models

Symbol	Port size	Maximum flow		Weight		Model
		(dm³/s)	scfm	(kg)	(lbs)	
	3/4"	42	90	4,11	9.06	F46-601-MODG
	1"	59	125	4,05	8.92	F46-801-MODG
	1 1/4"	59	125	4,29	9.45	F46-A01-MODG
	3/4"	42	90	4,11	9.06	F46-601-AODG
	1"	59	125	4,05	8.92	F46-801-AODG
	1 1/4"	59	125	4,29	9.45	F46-A01-AODG

*1) Maximum flow for oil-saturated element at 6,3 bar (90 psi) inlet pressure to maintain stated oil removal performance.

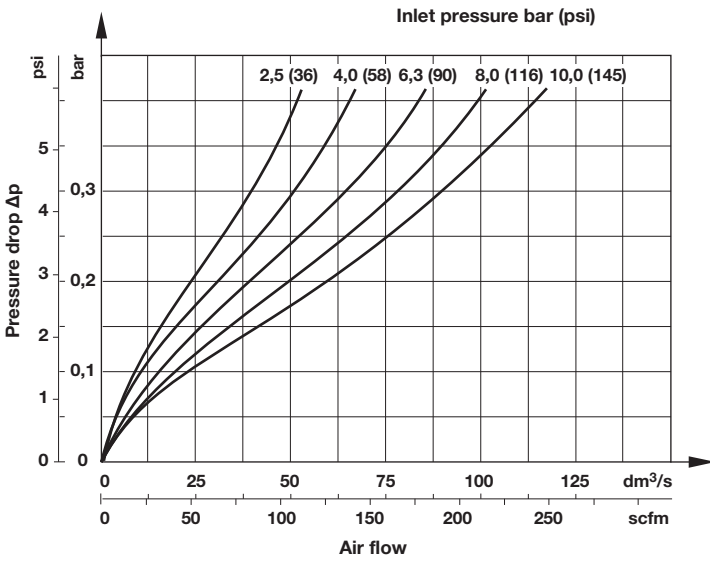
Option selector

F46-★0★-★0★★

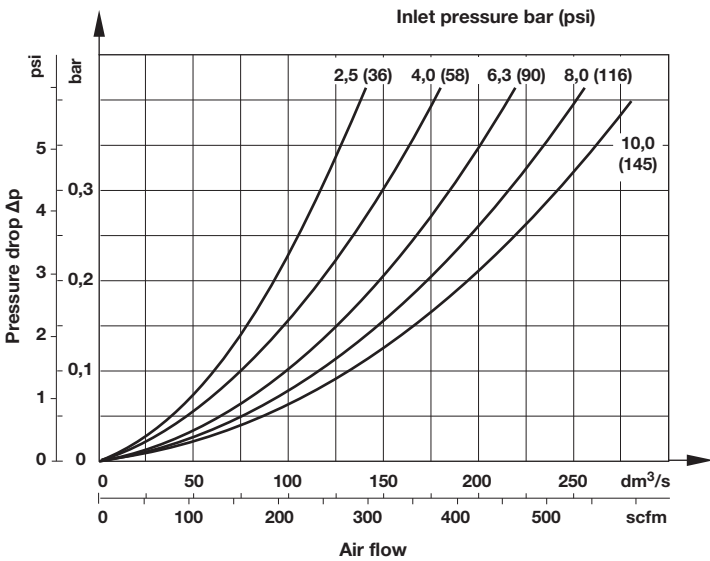
Port size	Substitute	Thread	Substitute
3/4"	6	PTF	A
1"	8	ISO G parallel (standard)	G
1 1/4"	A	Bowl	Substitute
Service life Indicator	Substitute	Wi h sight glass (standard)	D
Without	0	Wi hout sight glass	M
With (standard)	1		
Drain	Substitute		
Manual (standard)	P		
Open ended adaptor	X		

Flow characteristics

Port size: 1", oil stated element

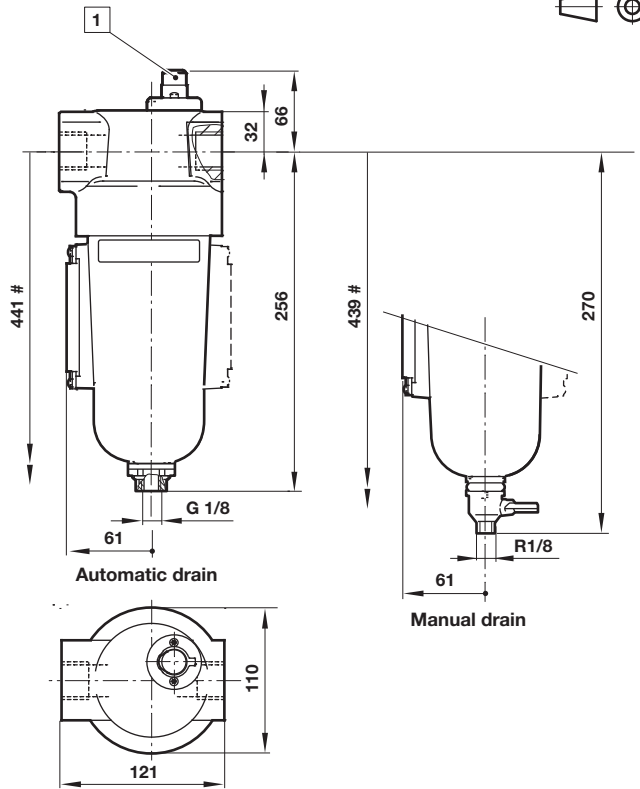


Dry element



Dimensions

Dimensions in mm
Projection/First angle



Min clearance required to remove intermediate body and bowl.
1 Standard with service life indicator

Service kit



Service kit contains coalescing element, element o-ring, bowl o-ring, and drain gasket.

Warning

These products are intended for use in industrial compressed air systems only. Do not use these products where pressures and temperatures can exceed those listed under »Technical features/data«.

Before using these products with fluids other than those specified, for non-industrial applications, life-support systems or other applications not within published specifications, consult IMI NORGREN.

Through misuse, age, or malfunction, components used in fluid power systems can fail in various modes.

The system designer is warned to consider the failure modes of all component parts used in fluid power systems and to provide adequate safeguards to prevent personal injury or damage to equipment in the event of such failure.

System designers must provide a warning to end users in the system instructional manual if protection against a failure mode cannot be adequately provided.

System designers and end users are cautioned to review specific warnings found in instruction sheets packed and shipped with these products.