

- > **Port size: 1/4" ... 3/4" (ISO G/PTF)**
- > **Assists machine designers in complying with the European Machineries Directive**
- > **Controlled increase of downstream pressure on start up**
- > **Solenoid, air pilot or manual operator**
- > **High forward flow and capacity dump facility**



Technical features

Medium:

Compressed air only

Operating pressure:

3 bar (43 psi) minimum
 10 bar (145 psi) (Solenoid operated)
 17 bar (246 psi) (Pilot operated)

Snap pressure:

Full flow when downstream pressure reaches 50 ... 80% of inlet pressure

Charge time:

For 2 litre downstream volume and 6,3 bar (90 psi) inlet pressure
 0,2 sec. minimum
 75 sec. maximum

Flow:

57 dm³/s
 Operating pressure: 6,3 bar (91 psi)
 Δp: 0,5 bar (7 psi)

Port sizes:

1/4", 3/8", 1/2" or 3/4"

Air pilot port:

1/4 PTF with PTF main ports
 Rc1/4 with ISO G main ports

Exhaust port:

1/2 PTF with PTF main ports
 G1/2 with ISO G main ports

Gauge port:

1/8 PTF with PTF main ports
 Rc1/8 with ISO G main ports

Ambient/Media temperature:

Solenoid actuated:
 -20° ... +50°C (-4° ... +122°F)
 Pilot actuated:
 -20° ... +80°C (-4° ... +176°F)
 Version with gauge:
 -20° ... +65°C (-4° ... +149°F)
 Air supply must be dry enough to avoid ice formation at temperatures below +2°C (+35°F).

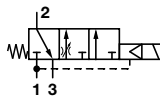
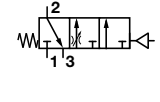
Materials:

Body & yoke: Zinc alloy
 Intermediate body: Aluminium
 Top plate: Zinc
 Elastomers: NBR

Electrical details for solenoid operators


Voltage tolerance	± 10%
Rating	100% continuous duty
Inlet orifice	1,0 mm
Electrical connection	Industrial Standard, 22 mm
Solenoid coil mounting	Four positions x 90°
Protection class	IP 65 (with sealed plug)

Technical data - standard models

Symbol	Port size	Size	Actuation/return	Voltage	Pilot port	Weight (kg)	Typ
	G1/4	—	Solenoid/spring	24 V d.c.	—	2,07	P64F-2GC-PFN *1)
	G3/8	—	Solenoid/spring	24 V d.c.	—	2,05	P64F-3GC-PFN *1)
	G1/2	Basic	Solenoid/spring	24 V d.c.	—	2,02	P64F-4GC-PFN *1)
	G3/4	—	Solenoid/spring	24 V d.c.	—	2,38	P64F-6GC-PFN *1)
	Without yoke	—	Solenoid/spring	24 V d.c.	—	1,59	P64F-NNC-PFN *1)
	G1/4	—	Air/spring	—	Rc1/4	1,69	P64F-2GA-NNN
	G3/8	—	Air/spring	—	Rc1/4	1,94	P64F-3GA-NNN
	G1/2	Basic	Air/spring	—	Rc1/4	1,91	P64F-4GA-NNN
	G3/4	—	Air/spring	—	Rc1/4	2,27	P64F-6GA-NNN
	Without yoke	—	Air/spring	—	Rc1/4	1,45	P64F-NNA-NNN

*1) To select other solenoid type and coil voltage refer to option selector on page 2

Voltage codes and spare coils

22 mm coil for connector interface acc. to industrial standard				
	Voltage	Power Inrush/Hold	Model	Code
	12 V d.c.	2 W	QM/48/12J/21	12J
	24 V d.c.	2 W	QM/48/13J/21	13J
	110/120 V 50/60 Hz	4/2,5 VA	QM/48/18J/21	18J
	220/240 V 50/60 Hz	6/5,0 VA	QM/48/19J/21	19J

Connector plugs



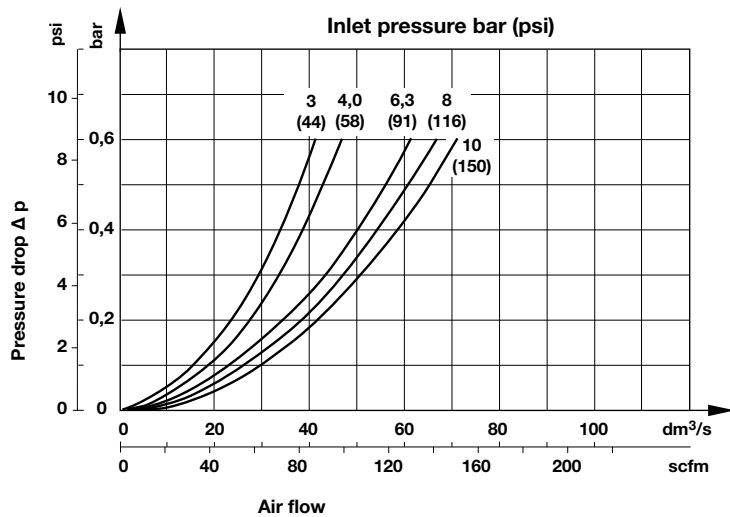
Option selector

P64F-★-★-★-★-★-★

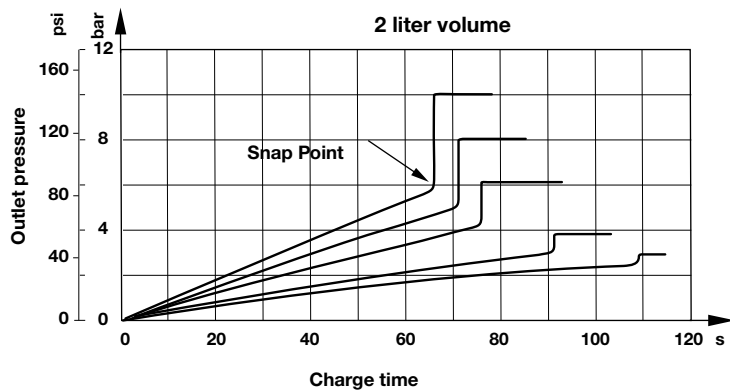
Port size	Substitute
1/4"	2
3/8"	3
1/2"	4
3/4"	6
No yoke	N
Threads	Substitute
PTF	A
ISO G parallel (standard)	G
No yoke (standard)	N
Operator	Substitute
Air pilot (standard)	A
Air pilot with manual lockout	B
22 mm solenoid (standard)	C
22 mm solenoid with manual lockout	D

Connector	Substitute	
With	A	
Without	N	
Voltage	Watts	Substitute
24 V d.c.	2 W	F
12 V d.c.	2 W	E
6 V d.c.	2 W	D
220/240 V, 50/60 Hz	4/2,5 VA	B
110/120 V, 50/60 Hz	4/2,5 VA	A
No coil	-	Z
No solenoid	-	N
Solenoid manual operator	Substitute	
Non-locking, shrouded push button	P	
None	N	

Flow characteristics










Maximum charge time



Accessories


	Models with G-thread Single yoke	Double yoke	3/2 Shut-off valve Threaded inlet only	Threaded outlet only	End connector kit	Rear entry bracket kit
Thread						
G1/4	Y64A-2GA-N1N	Y64A-2GA-N2N	T64T-2GB-P1N	T64T-2GC-P1N	—	—
G3/8	Y64A-3GA-N1N	Y64A-3GA-N2N	T64T-3GB-P1N	T64T-3GC-P1N	—	—
G1/2	Y64A-4GA-N1N	Y64A-4GA-N2N	T64T-4GB-P1N	T64T-4GC-P1N	74505-50	—
G3/4	Y64A-6GA-N1N*	Y64A-6GA-N2N*	T64T-6GB-P1N	T64T-6GC-P1N	74505-53	18-026-981
1/4 PTF	Y64A-2AA-N1N	Y64A-2AA-N2N	T64T-2AB-P1N	T64T-2AC-P1N	—	—
3/8 PTF	Y64A-3AA-N1N	Y64A-3AA-N2N	T64T-3AB-P1N	T64T-3AC-P1N	—	—
1/2 PTF	Y64A-4AA-N1N	Y64A-4AA-N2N	T64T-4AB-P1N	T64T-4AC-P1N	74505-52	—
3/4 PTF	Y64A-6AA-N1N*	Y64A-6AA-N2N*	T64T-6AB-P1N	T64T-6AC-P1N	74505-55	—

*These yokes are supplied with two end connector kits as standard.

Bracket mounting	Nut	Silencer	Yoke connector kit	Porting block	Adjustable pressure switch	Padlock with two keys
						
74504-50	74502-89	MB004B (R1/2) MB004A (1/2 NPT)	74503-51	74507-50	4346-99	0613633 (brass)

Gauges

Center back connection, white face (full technical specification see datasheet 8.900.900)

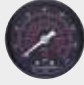


6

Pressure range bar *1	MPa	psi	Ø	Thread size	Model
0 ... 10	0 ... 1	0 ... 145	50 mm	R1/8	18-013-013
0 ... 25	0 ... 2,5	0 ... 362	50 mm	R1/8	18-013-014

*1) primary scale

Center back connection, black face for North America (full technical specification see datasheet 8.900.900)



6

Pressure range psig *1	bar	MPa	Ø	Thread size	Model
0 ... 160	0 ... 11	0 ... 1.1	2" (50 mm)	1/8 NPT	18-013-204
0 ... 400	0 ... 28	0 ... 2.8	2" (50 mm)	1/8 NPT	18-013-206

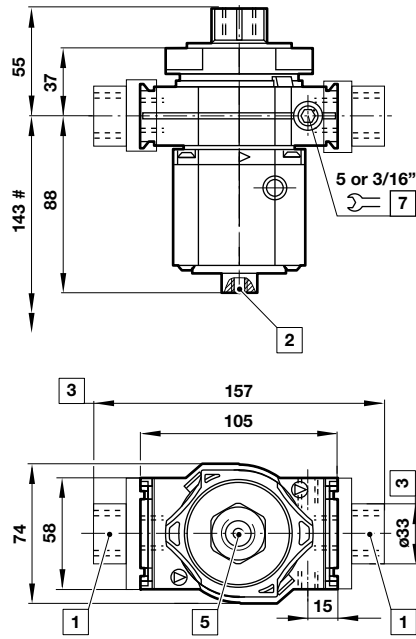
*1) primary scale

Dimensions

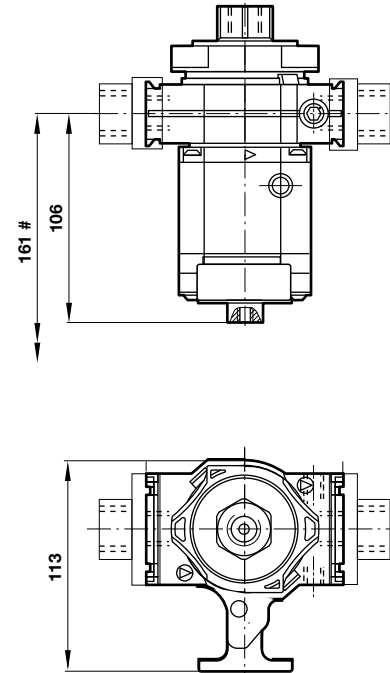
Dimensions in mm
Projection/First angle



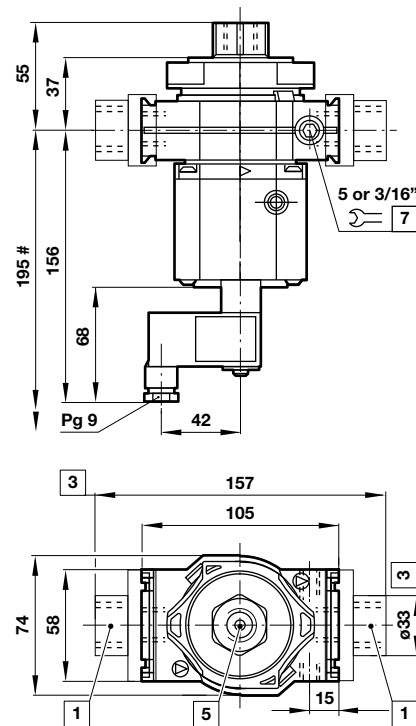
**Pilot actuated
Standard**



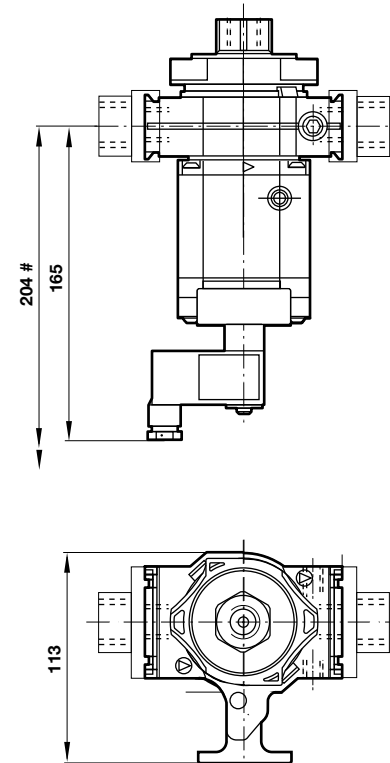
With manual lockout



**Solenoid actuated
Standard**



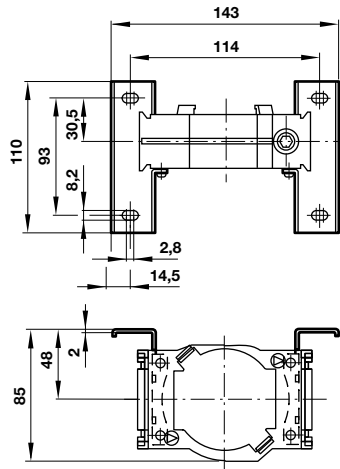
With manual lockout



Minimum clearance required to remove unit from yoke

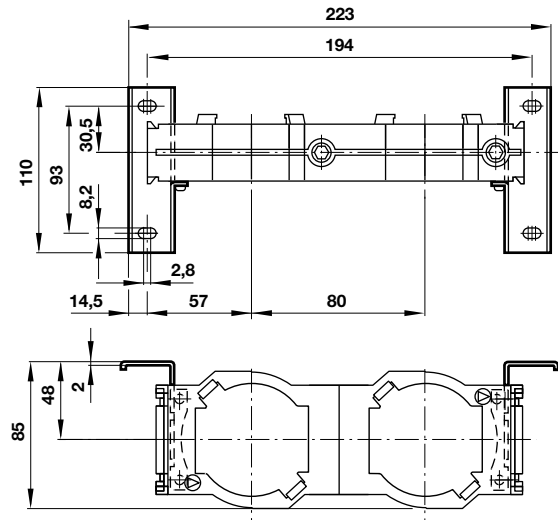
- 1 Main ports 1/4", 3/8", 1/2" or 3/4"
- 2 Pilot port Rc1/4
- 3 For main ports 3/4" only
- 5 Exhaust port 1/2"
- 7 Gauge port 1/8"

Single yoke with bracket mounting

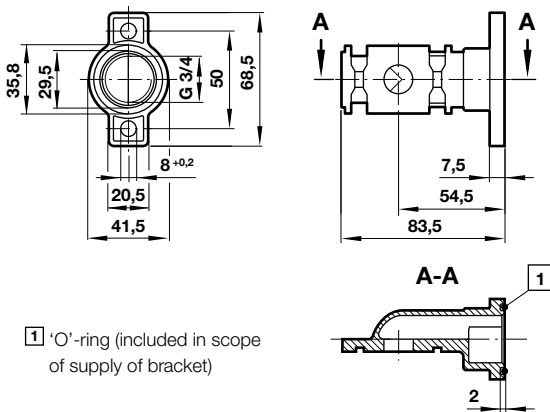


Double yoke with bracket mounting

Dimensions in mm
Projection/First angle

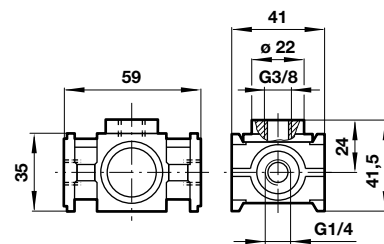


Rear entry bracket 18-026-981



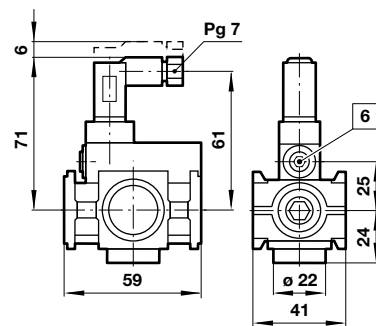
1 'O'-ring (included in scope of supply of bracket)

Porting block 74507-50



Adjustable pressure switch 4346-99

Voltage	24 V d.c./240 V a.c.
Current	0,5 A (d.c.); 5 A (a.c.)
Pressure range	2 ... 10 bar
Repeatability	2% of full set point range at 20°C
Average deadband	0,8 ... 1,7 bar
Electrical connection (corresponding to chosen coil)	EN 175301-803 - Form C, 15 mm
Degree of protection:	IP65
Adjustable	Standard
Material	Body: Aluminium, Elastomers: NBR

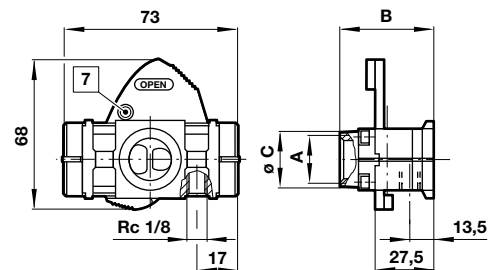


6 Adjusting screw

3/2 Shut-off valve

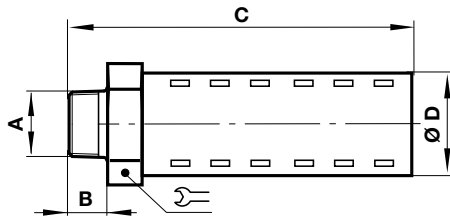
Symbol	A	B	ø C	Model
	G1/4	48	27	T64T-2G*-P1N
	G3/8	48	27	T64T-3G*-P1N
	G1/2	48	27	T64T-4G*-P1N
	G3/4	51	33	T64T-6G*-P1N

* B = Threaded inlet only, C = Threaded outlet only



7 Padlock hole ø7,5 mm

Silencer



Dimensions in mm
Projection/First angle



A	B	C	D		Model
R1/2	17	92	32	32	MB004B
1/2 NPT	17	92	32	32	MB004A

Warning

These products are intended for use in industrial compressed air systems only. Do not use these products where pressures and temperatures can exceed those listed under

»Technical features/data«.

Before using these products with fluids other than those specified, for non-industrial applications, life-support systems or other applications not within published specifications, consult IMI Precision Engineering, Norgren GmbH. Through misuse, age, or malfunction, components used in fluid power systems can fail in various modes.

The system designer is warned to consider the failure modes of all component parts used in fluid power systems and to provide adequate safeguards to prevent personal injury or damage to equipment in the event of such failure.

System designers must provide a warning to end users in the system instructional manual if protection against a failure mode cannot be adequately provided.

System designers and end users are cautioned to review specific warnings found in instruction sheets packed and shipped with these products.