

法兰三通球阀 LPA13-

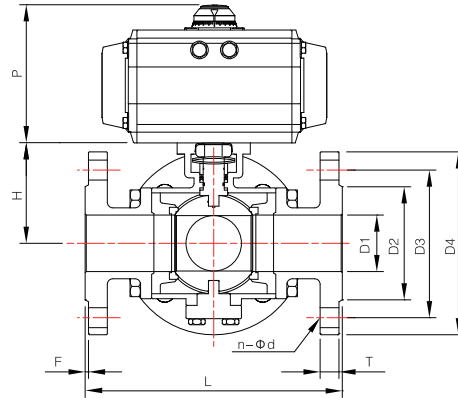
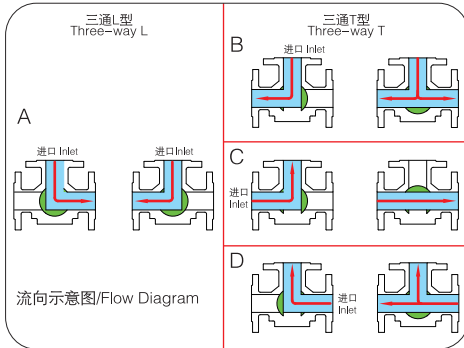
Flanged Three-way Ball Valve

LAPAR

阀类代号 Code	执行机构 Actuator	作用形式 Action	出厂状态 Air Fail Position	控制方式 Control	结构形式 Structure	阀体材质 Body Material	密封材质 Sealing Material	阀芯材质 Ball Material	连接方式 Connection	口径 DN	压力 PN
LPA13-	1 气动 Pneumatic	D 双作用 Double-acting	1 常开 Normally Open	A 开关型 On-off	8 三通L Three-way L	A CF3M	P PTFE	A CF3M	1 法兰 Flange	15 ~ 100mm	1.6 ~ 4.0MPa
	2 气动+手轮 Pneumatic & Handwheel	S 单作用 Single-acting	2 常闭 Normally Closed	B 调节型 Control	9 三通T Three-way T	B CF8M	Q TFM1600	B CF8M	0 其它 Others		
	3 电动 DC24V Electric	0 其它 Others	3 无固定 Flexible	C 智能型 Intelligent	0 其它 Others	C CF8	T EK	C CF8			
	4 电动 AC220V Electric		4 保位 Held	0 其它 Others		D WCB	W PEEK	I CF3			
	5 电动 AC380V Electric		0 其它 Others			I CF3	2 PE	L CE3MN			
	7 手柄 Handle					L CE3MN	5 TFM4215	2 Ti			
	8 涡轮 Turbine					2 Ti	7 RTFE	0 其它 Others			
	9 液动 Hydraulic pressure					5 WCC	0 其它 Others				
	0 其它 Others					0 其它 Others					



驱动方式 Driving Mode	电动、气动(5~7bar) Electric, Pneumatic
公称通径 DN	15 ~ 100mm
公称压力 PN	1.6 ~ 4.0MPa
适用温度 Applicable Temp.	PTFE & TFM1600 & RTFE: -29 ~ +150°C / PE: -29 ~ +250°C EK & TFM4215: -29 ~ +200°C / PEEK: -60 ~ +280°C
适用介质 Medium	气体、水、油 Gas, Water, Oil
可选附件 Optional	限位开关、定位器、电磁阀、过滤调压阀、手轮 Limit switch, Positioner, Solenoid valve, Air filter regulator, Handwheel
连接标准 Connection Type	DIN EN1092-1 PN1.0-4.0, ASME B16.5, JIS B2238



DIN PN16/25/40

Unit:mm

SIZE	PN	L	D1	D2	D3	D4	T	F	n	Φd	H
15	1/2"	16	150	15	45	65	95	16	2	4	53
20	3/4"		165	20	58	75	105	18	2	4	57
25	1"	25	181	25	68	85	115	18	2	4	68
32	1-1/4"		190	32	78	100	140	18	2	4	72
40	1-1/2"	40	212	38	88	110	150	18	3	4	85
50	2"		230	49	102	125	165	20	3	4	92
65	2-1/2"	16 25/40	290	63	122	145	18 22	3	4 8	18	107
80	3"	16 25/40	310 340	75	138	160	20 24	3	8	18	119
100	4"	16 25/40	353 386	99	158 162	180 190	20 24	3	8	18 22	150

P: 请参考执行器配置表 Please refer to the actuator configuration table

备注 Note: D3按照 DIN EN1092-1制定 D3 is designed to meet DIN EN1092-1
ASME CLASS 150/300 JIS 10K/20K (请咨询LAPAR! Please consult the LAPAR!)

三通球阀的球体分为L型和T型, 执行器带动球体经90度或经180度的旋转动作来达到换向与合流分流控制的目的。(用户在订购时需先提供流向图)
Ball body of three-way ball valve is divided into L and T type. The actuator drives the ball rotate 90 degrees or 180 degrees to achieve the purpose of reversing and confluence shunt control. (When ordering, users need to provide a flow diagram.)

- ※ 防火、防静电设计。
Fire prevention, anti-static design.
- ※ 阀杆防爆出装置。
Valve rod explosion-proof device.
- ※ 阀球上设计有压力平衡孔。
Pressure balance hole is designed on the valve ball.
- ※ 双层阀杆填料与对压碟型弹片装置。
Double stem packing and the pressure plate type shrapnel device.