

Datasheet

2.5" SATA SSD

3ME4 series

- 2.5" SATA III solution for industrial field
- 7mm height mechanical design
- DRAM-less, high-level data integrity
- L³ architecture extends lifespan
- Excellent IOPS boosts system performance
- Built-in thermal sensor
- Support S.M.A.R.T, TRIM, NCQ and iData Guard



Introduction

Innodisk 2.5" SATA SSD 3ME4 is characterized by L³ architecture with the latest SATA III (6.0GHz) Marvell NAND controller. Innodisk's exclusive L³ architecture is L² architecture multiplied LDPC (Low Density Parity Check). L² (Long Life) architecture is a 4K mapping algorithm that reduces WAF and features a real-time wear leveling algorithm to provide high performance and prolong lifespan with exceptional reliability.

innodisk



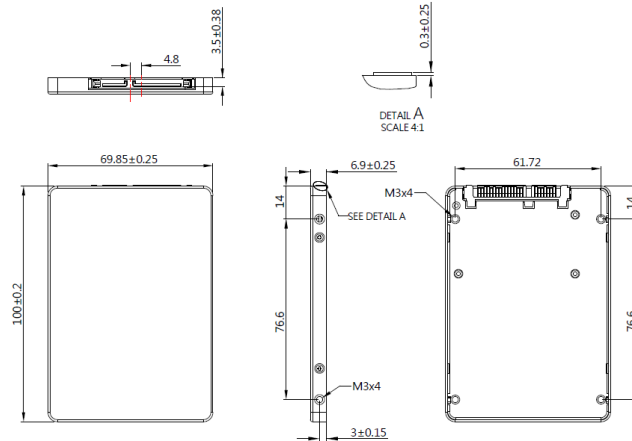
2.5" SATA SSD

3ME4 series

Drawing

Contact us for more information about the 2.5" SATA SSD 3ME4

Innodisk is a service-driven provider of industrial embedded flash and DRAM storage products and technologies, with a focus on the industrial/embedded, aerospace and defense, and cloud computing industries.



Specifications

Interface	SATA III
Flash Type	MLC
Flash P/E Cycle Limit	3,000
Capacity	8GB~256GB
Max. Channels	2
Sequential R/W (MB/sec, max.)	530/210
Max. Power Consumption	0.8 W (5V x 160 mA)
Thermal Sensor	Supported
External DRAM Buffer	-
H/W Write Protect	-
S/W Write Protect	Supported
Pin7 Power	-
ATA Security	Supported
S.M.A.R.T.	Supported
Dimension (WxLxH)	69.85 X 100.10 X 6.9 mm
Environment	Vibration: 20G @7~2000Hz Shock: 1500G @ 0.5ms Storage Temperature: -55°C ~ +95°C MTBF: 3 million hours

Ordering Information

Operation Temp.	8GB	16GB	32GB	64GB	128GB	256GB
Standard Grade (0°C ~ +70°C)	DES25-08GM41BC1SC	DES25-16GM41BC1SC DES25-16GM41BC1DC	DES25-32GM41BC1DC	DES25-64GM41BC1DC	DES25-A28M41BC1DC	DES25-B56M41BC1DC
Industrial Grade (-40°C ~ +85°C)	DES25-08GM41BW1SC	DES25-16GM41BW1SC DES25-16GM41BW1DC	DES25-32GM41BW1DC	DES25-64GM41BW1DC	DES25-A28M41BW1DC	DES25-B56M41BW1DC



innodisk