

Datasheet

# 2.5" SATA SSD

## 3SE series

- 2.5" SATA III solution for industrial field
- iSMART disk health monitoring
- Intelligent error recovery system
- Excellent data transfer speed
- Enhanced power cycling management



### Introduction

Innodisk 2.5" SATA SSD 3SE is SATA III 6Gb/s Flash based disk, which delivers excellent performance and reliability making it the ideal solution for a variety of applications, including embedded system, industrial computing, and enterprise field. 3SE 2.5" SSD not only performs unmatched performance, but also designed with Innodisk owned technical knowhow to ensure the data integrity and highest levels of reliability.

innodisk

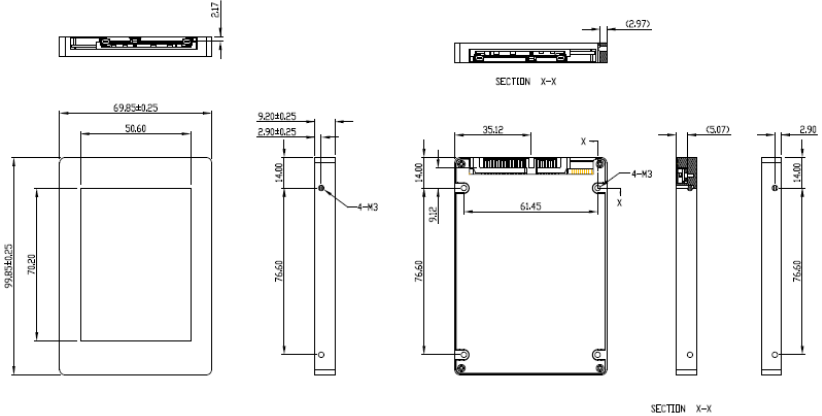


# 2.5" SATA SSD

## 3SE series Drawing

Contact us for more information  
about the 2.5" SATA SSD 3SE

Innodisk is a service-driven provider of industrial embedded flash and DRAM storage products and technologies, with a focus on the industrial/embedded, aerospace and defense, and cloud computing industries.



## Specifications

|                               |   |
|-------------------------------|---|
| Interface                     | SATA III  |
| Flash Type                    | SLC   |
| Capacity                      | 4GB~512GB   |
| Max. Channels                 | 4   |
| Sequential R/W (MB/sec, max.) | 490 / 430   |
| Max. Power Consumption        | 3.0 W (5V x 600 mA )  |
| Thermal Sensor                | ST- Optional/ WT- Default   |
| External DRAM Buffer          | -   |
| H/W Write Protect             | -   |
| Pin7 Power                    | -   |
| ATA Security                  | √   |
| S.M.A.R.T.                    | √   |
| Dimension (WxLxH)             | 69.85 X 99.85 X 9.20 mm   |
| Environment                   | Vibration: 20G @7~2000Hz<br>Shock: 1500G @ 0.5ms<br>Storage Temperature: -55°C ~ +95°C<br>MTBF: 3 million hours |

## Ordering Information

| Operation Temp.                     | 4GB               | 8GB               | 16GB              | 32GB              | 64GB              | 128GB             | 256GB             | 512GB             |
|-------------------------------------|-------------------|-------------------|-------------------|-------------------|-------------------|-------------------|-------------------|-------------------|
| Standard Grade<br>(0°C ~ +70°C)     | DES25-04GD07AC1DB | DES25-08GD06SCCQB | DES25-16GD06SCCQB | DES25-32GD06SCCQB | DES25-64GD06SCCQB | DES25-A28D06SCCQB | DES25-B56D06SCCQB | DES25-C12D06SCCQT |
| Industrial Grade<br>(-40°C ~ +85°C) | DES25-04GD07AW1DB | DES25-08GD06SWCQB | DES25-16GD06SWCQB | DES25-32GD06SWCQB | DES25-64GD06SWCQB | DES25-A28D06SWCQB | DES25-B56D06SWCQB | DES25-C12D06SWCQT |



innodisk