

Features

- 1-channel isolated barrier
- 24 V DC supply (Power Rail)
- Input for NAMUR sensors or dry contacts
- Input frequency 1 mHz ... 5 kHz
- Current output 0/4 mA ... 20 mA
- Relay contact and transistor output
- Start-up override
- Line fault detection (LFD)
- Up to SIL 2 acc. to IEC 61508/IEC 61511

Function

This isolated barrier is used for intrinsic safety applications. The device is a universal frequency converter that changes a digital input signal into a proportional free adjustable 0/4 mA ... 20 mA analog output signal and functions as a switch amplifier and a trip alarm.

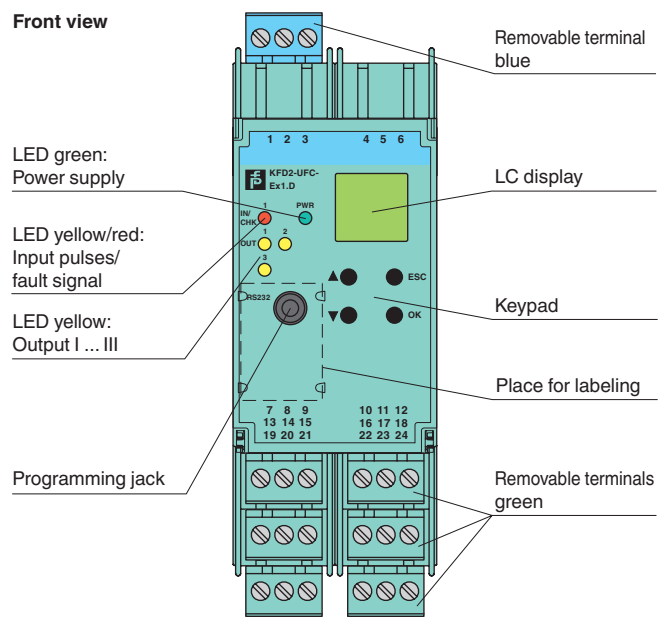
The functions of the switch outputs (2 relay outputs and 1 potential free transistor output) are easily adjustable [trip value display (min/max alarm), serially switched output, pulse divider output, error signal output].

The device is easily configured by the use of keypad or with the PACTware configuration software.

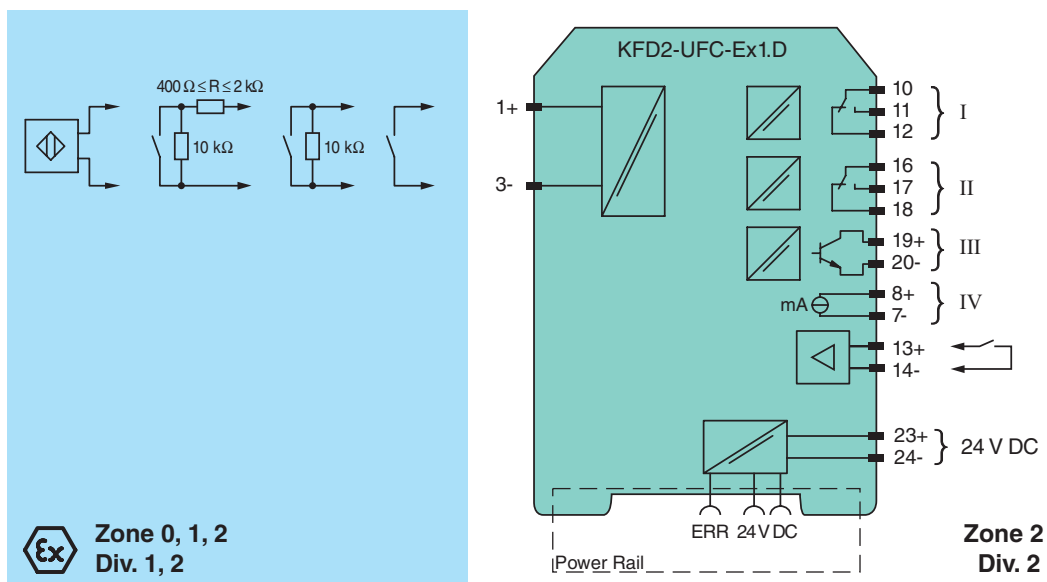
A fault is signaled by LEDs acc. to NAMUR NE44 and a separate collective error message output.

For additional information, refer to the manual and www.pepperl-fuchs.com.

Assembly



Connection



Release date 2018-05-08 08:06 Date of issue 2018-05-08 231194_eng.xml

Refer to "General Notes Relating to Pepperl+Fuchs Product Information".

General specifications	
Signal type	Digital Input
Functional safety related parameters	
Safety Integrity Level (SIL)	SIL 2
Supply	
Connection	terminals 23+, 24- or power feed module/Power Rail
Rated voltage U_r	20 ... 30 V DC
Rated current I_r	approx. 100 mA
Power dissipation/power consumption	$\leq 2 \text{ W} / 2.2 \text{ W}$
Interface	
Programming interface	programming socket
Input	
Connection side	field side
Connection	Input I: intrinsically safe: terminals 1+, 3- Input II: non-intrinsically safe: terminals 13+, 14-
Input I	sensor acc. to EN 60947-5-6 (NAMUR) or mechanical contact
Pulse duration	$> 50 \mu\text{s}$
Input frequency	0.001 ... 5000 Hz
Line fault detection	breakage $I \leq 0.15 \text{ mA}$; short-circuit $I > 6.5 \text{ mA}$
Input II	startup override: 1 ... 1000 s, adjustable in steps of 1 s
Active/Passive	$I > 4 \text{ mA}$ (for min. 100 ms) / $I < 1.5 \text{ mA}$
Open circuit voltage/short-circuit current	18 V / 5 mA
Output	
Connection side	control side
Connection	output I: terminals 10, 11, 12 output II: terminals 16, 17, 18 output III: terminals 19+, 20- output IV: terminals 8+, 7-
Output I, II	signal, relay
Contact loading	250 V AC / 2 A / $\cos \phi \geq 0.7$; 40 V DC / 2 A
Mechanical life	5×10^7 switching cycles
Energized/De-energized delay	approx. 20 ms / approx. 20 ms
Output III	electronic output, passive
Contact loading	40 V DC
Signal level	1-signal: (L+) - 2.5 V (50 mA, short-circuit/overload proof) 0-signal: switched off (off-state current $\leq 10 \mu\text{A}$)
Output IV	analog
Current range	0 ... 20 mA or 4 ... 20 mA
Open loop voltage	$\leq 24 \text{ V DC}$
Load	$\leq 650 \Omega$
Fault signal	downscale $I \leq 3.6 \text{ mA}$, upscale $\geq 21.5 \text{ mA}$ (acc. NAMUR NE43)
Collective error message	Power Rail
Transfer characteristics	
Input I	
Measurement range	0.001 ... 5000 Hz
Resolution	0.1 % of the measurement value , $\geq 0.001 \text{ Hz}$
Accuracy	0.1 % of the measurement value , $> 0.001 \text{ Hz}$
Measuring time	$< 100 \text{ ms}$
Influence of ambient temperature	0.003 %/K (30 ppm)
Output I, II	
Response delay	$\leq 200 \text{ ms}$
Output IV	
Resolution	$< 10 \mu\text{A}$
Accuracy	$< 20 \mu\text{A}$
Influence of ambient temperature	0.005 %/K (50 ppm)
Galvanic isolation	
Input I/other circuits	reinforced insulation according to IEC/EN 61010-1, rated insulation voltage 300 V_{eff}
Output I, II/other circuits	reinforced insulation according to IEC/EN 61010-1, rated insulation voltage 300 V_{eff}
Mutual output I, II, III	reinforced insulation according to IEC/EN 61010-1, rated insulation voltage 300 V_{eff}
Output III/power supply and collective error	basic insulation according to IEC/EN 61010-1, rated insulation voltage 50 V_{eff}
Output III/start-up override	basic insulation according to IEC/EN 61010-1, rated insulation voltage 50 V_{eff}
Output III/IV	basic insulation according to IEC/EN 61010-1, rated insulation voltage 50 V_{eff}
Output IV/power supply and collective error	functional insulation acc. to IEC 62103, rated insulation voltage 50 V_{eff}

Release date 2018-05-08 08:06 Date of issue 2018-05-08 231194_eng.xml

Refer to "General Notes Relating to Pepperl+Fuchs Product Information".

Start-up override/power supply and collective error		functional insulation acc. to IEC 62103, rated insulation voltage 50 V _{eff}
Interface/power supply and collective error		functional insulation acc. to IEC 62103, rated insulation voltage 50 V _{eff}
Interface/output III		basic insulation according to IEC/EN 61010-1, rated insulation voltage 50 V _{eff}
Indicators/settings		
Display elements		LEDs , display
Control elements		Control panel
Configuration		via operating buttons via PACTware
Labeling		space for labeling at the front
Directive conformity		
Electromagnetic compatibility		
Directive 2014/30/EU		EN 61326-1:2013 (industrial locations)
Low voltage		
Directive 2014/35/EU		EN 61010-1:2010
Conformity		
Electromagnetic compatibility		NE 21:2006
Degree of protection		IEC 60529:2001
Input		EN 60947-5-6:2000
Ambient conditions		
Ambient temperature		-20 ... 60 °C (-4 ... 140 °F)
Mechanical specifications		
Degree of protection		IP20
Connection		screw terminals
Mass		300 g
Dimensions		40 x 119 x 115 mm (1.6 x 4.7 x 4.5 inch) , housing type C3
Mounting		on 35 mm DIN mounting rail acc. to EN 60715:2001
Data for application in connection with hazardous areas		
EU-Type Examination Certificate		TÜV 99 ATEX 1471
Marking		⊕ Ex II (1)G [Ex ia Ga] IIC ⊕ Ex II (1)D [Ex ia Da] IIIC ⊕ Ex I (M1) [Ex ia Ma] I
Supply		
Maximum safe voltage	U _m	40 V DC (Attention! U _m is no rated voltage.)
Input I		
Voltage	U _o	10.1 V
Current	I _o	13.5 mA
Power	P _o	34 mW (linear characteristic)
Input II		
Maximum safe voltage	U _m	40 V (Attention! The rated voltage can be lower.)
Output I, II		
Maximum safe voltage	U _m	253 V (Attention! The rated voltage can be lower.)
Contact loading		253 V AC/2 A/cos φ > 0.7; 40 V DC/2 A resistive load (TÜV 99 ATEX 1471)
Output III		
Maximum safe voltage	U _m U _m	40 V (Attention! U _m is no rated voltage.)
Output IV		
Maximum safe voltage	U _m	40 V DC (Attention! U _m is no rated voltage.)
Interface		
Maximum safe voltage	U _m	40 V (Attention! U _m is no rated voltage.)
Certificate		
Marking		⊕ Ex II 3G Ex nA nC IIC T4 Gc
Output I, II		
Contact loading		50 V AC/2 A/cos φ > 0.7; 40 V DC/1 A resistive load
Galvanic isolation		
Input I/other circuits		safe electrical isolation acc. to IEC/EN 60079-11, voltage peak value 375 V
Directive conformity		
Directive 2014/34/EU		EN 60079-0:2012+A11:2013 , EN 60079-11:2012 , EN 60079-15:2010
International approvals		
FM approval		
Control drawing		16-538FM-12
UL approval		
IECEx approval		E223772
IECEx approval		
Approved for		[Ex ia Ga] IIC, [Ex ia Da] IIIC, [Ex ia Ma] I

Release date 2018-05-08 08:06 Date of issue 2018-05-08 231194_eng.xml

Refer to "General Notes Relating to Pepperl+Fuchs Product Information".

Pepperl+Fuchs Group
www.pepperl-fuchs.com

USA: +1 330 486 0002
pa-info@us.pepperl-fuchs.com

Germany: +49 621 776 2222
pa-info@de.pepperl-fuchs.com

Singapore: +65 6779 9091
pa-info@sg.pepperl-fuchs.com

General information

Supplementary information

Observe the certificates, declarations of conformity, instruction manuals, and manuals where applicable. For information see www.pepperl-fuchs.com.

Accessories**Power feed module KFD2-EB2**

The power feed module is used to supply the devices with 24 V DC via the Power Rail. The fuse-protected power feed module can supply up to 150 individual devices depending on the power consumption of the devices. A galvanically isolated mechanical contact uses the Power Rail to transmit collective error messages.

Power Rail UPR-03

The Power Rail UPR-03 is a complete unit consisting of the electrical inset and an aluminium profile rail 35 mm x 15 mm. To make electrical contact, the devices are simply engaged.

Profile Rail K-DUCT with Power Rail

The profile rail K-DUCT is an aluminum profile rail with Power Rail insert and two integral cable ducts for system and field cables. Due to this assembly no additional cable guides are necessary.



Power Rail and Profile Rail must not be fed via the device terminals of the individual devices!

PACTware™

Device-specific drivers (DTM)

Adapter K-ADP-USB

Programming adapter for parameterisation via the serial USB interface of a PC/Notebook