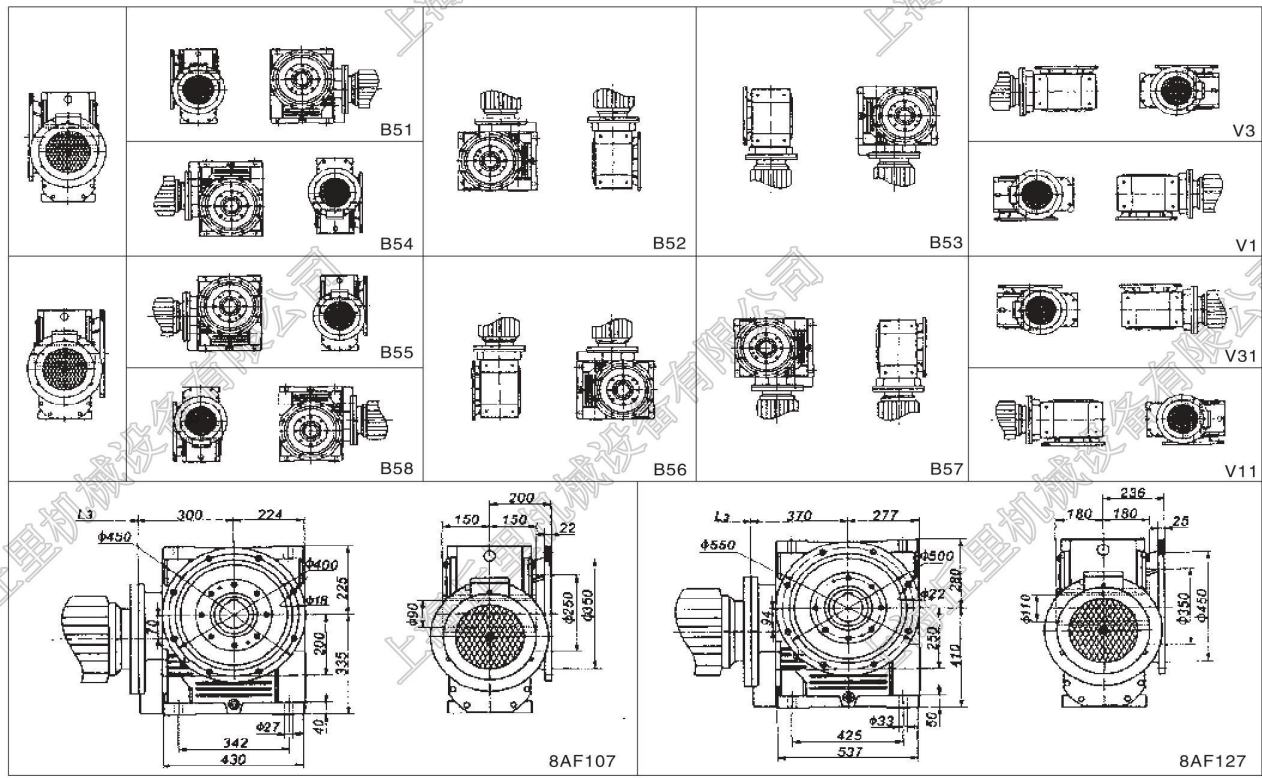
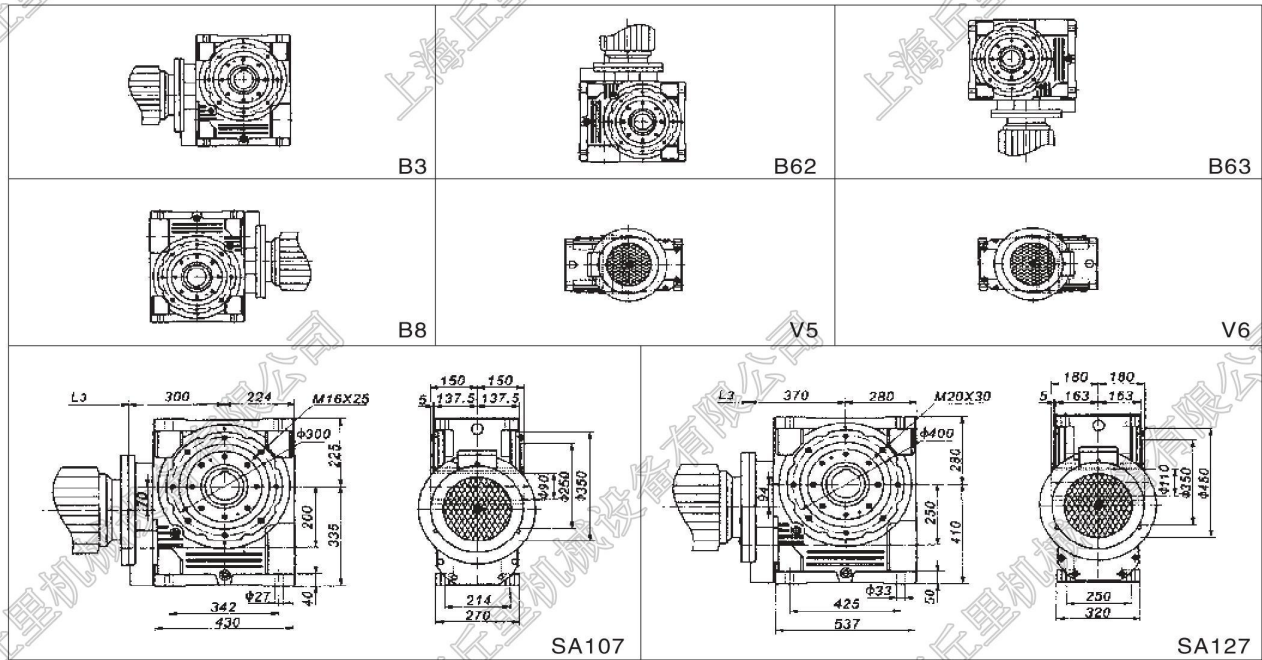


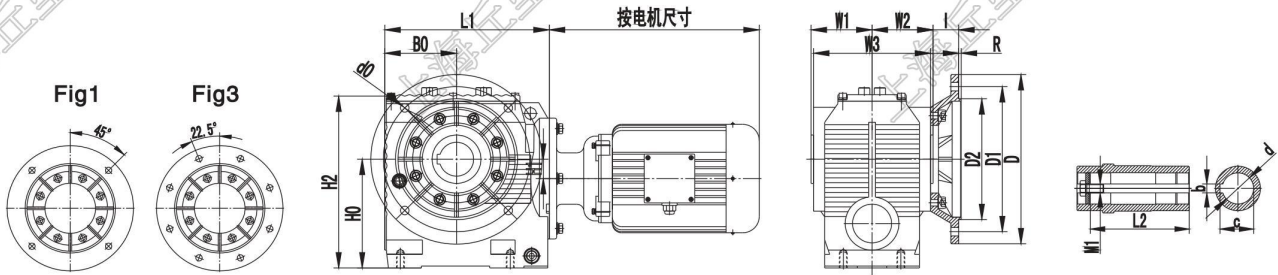
S系列斜齿轮-蜗轮减速机 | S series helical-worm geared motors

► S107、S127安装方位和尺寸图表 / S107、S127 mounting position and dimension sheets:



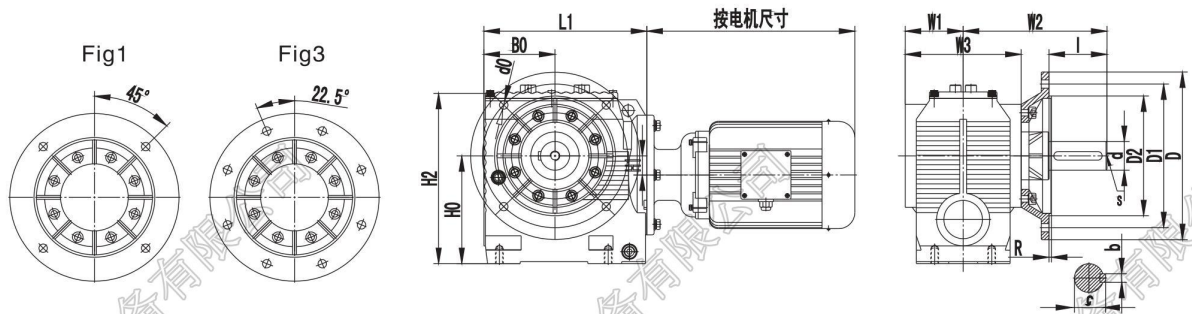
S系列斜齿轮-蜗轮减速机 | S series helical-worm geared motors

► SAF型外形及安装尺寸 / SAF overall and mounting dimensions



机型号 Type	安装尺寸 Mounting timensions				轴伸尺寸 Shaft dimensions							外形尺寸 Overall dimensions								
	H ₀	D ₁	d ₀	Fig	D ₂	R	d	b	C	L ₂	M _s	l	L ₁	D	B ₀	W ₁	W ₂	W ₃	H ₁	H ₂
SAF37	88	100	7	1	80	3	20	6	22.8	104	M6	15	143	120	63	60	60	110	0	151
SAF47	100	130	9	1	110	3.5	25	8	28.3	105	M10	24	171	160	75	60	60	110	11	
							30		33.3											
SAF57	112	165	11	1	130	3.5	30	8	33.3	132	M12	25	187	200	80	75	75	140	24	188
							35		38.3											
SAF67	140	165	11	1	130	3.5	40	12	43.3	144	M10	42	240	200	105	84	84	158	24	239
							45		48.8											
SAF77	180	215	13.5	1	180	4	50	14	53.8	180	M16	45.5	284	250	122	105	105	200	33	300
							60		64.4											
SAF87	225	300	17.5	1	250	5	60	18	64.4	220	M20	52.5	337	350	147	125	125	240	40	360
							70		74.9											
SAF97	280	400	18	3	350	5	70	20	74.9	255	M20	60	416	450	176	145	145	280	53	450
							90		95.4											

► SF型外形及安装尺寸 / SF overall and mounting dimensions



机型号 Type	安装尺寸 Mounting timensions				轴伸尺寸 Shaft dimensions							外形尺寸 Overall dimensions							
	H ₀	D ₁	d ₀	Fig	D ₂	R	d	l	b	C	S	L ₁	D	B ₀	W ₁	W ₂	W ₃	H ₁	H ₂
SF37	88	100	7	1	80	3	20	40	6	22.5	M6	143	120	63	55	115	110	0	151
SF47	100	130	9	1	110	3.5	25	50	8	28	M10	171	160	75	55	133.5	110	11	179
SF57	112	165	11	1	130	3.5	30	60	8	33	M10	187	200	80	70	160	140	24	188
SF67	140	165	11	1	130	3.5	35	70	10	38	M12	240	200	105	79	196	158	24	239
SF77	180	215	13.5	1	180	4	45	90	14	48.5	M16	284	250	122	100	240.5	200	33	300
SF87	225	300	17.5	1	250	5	60	120	18	64	M20	337	350	147	120	297.5	240	40	360
SF97	280	400	18	3	350	5	70	140	20	74.5	M20	416	450	176	176	345	280	53	450