

3/2-Way; sub-base connection; DN 1,2-1,6; 0-10 bar  
两位三通, 底座连接



Advantages/Benefits  
优点/特性

- ▶ **Coil can be changed easily with valve in place**  
线圈可方便地在原位随阀更换
- ▶ **Coil can be locked in 4x 90° positions or move freely between, as required**  
线圈可以根据需要在4×90°位置上锁定, 或在此角度内自由移动
- ▶ **Medium is only in contact with the valve internals and body**
- ▶ **High-quality seal material FPM (Viton) standard**  
高质量的氟橡胶密封材料标准供货
- ▶ **Wide range of cable plug options Type 2506**  
多种2506型电缆插座选项
- ▶ **Compact design**  
结构紧凑

## Design/Function 设计/功能

The valves are based on a modular concept comprising three basic elements; Valve assembly, push-over coil and standard cable plug. The valve assembly consists of a body to which the armature guide tube containing the plunger, seals and springs is attached.

该阀是按标准设计的, 包括三个基本部分: 阀体、线圈和标准电缆插座。阀体包含一个衔铁导管, 导管内装有铁心、密封垫和弹簧。

The coil is pushed over the guide tube and thus isolated from the medium.

线圈装在导管外, 因而与介质隔离。The medium is only in contact with the valve internals and body. 介质仅与阀体和阀内件接触。

A wide selection of pipe and orifice sizes is offered. Valves are available in brass or stainless steel. All valves have high-quality viton (FPM) seals as standard.

具有多种管径和内孔尺寸可供选择。阀体为黄铜或不锈钢。所有阀门都配有高质量的氟橡胶垫片作为标准供货。

To simplify ordering, a wide selection of standard combinations of valve body, push-over coil and standard cable plug can be ordered with one order number.

为便于订购, 只需用一个订货号就可以得到阀体、线圈和标准电缆插座的各种标准组合。

Cable plug options of Type 2506 are available to suit special electrical application requirements. 2506型电缆插座选项可满足特殊电气应用要求。

- The modular concept provides flexibility to meet application requirements.  
标准化设计能满足用户要求。
- The valve is interchangeable with Type 301.  
该阀可与301型互换。

## Applications 应用

### Fluids 流体

Brass version: Neutral gases and liquids, e.g. compressed air, town gas, natural gas, water, hydraulic oil, petrol.

黄铜阀体: 中性气体和液体, 如压缩空气、城市煤气、天然气、水、液压油汽油。

Difficult and slightly aggressive media

不锈钢阀体: 困难的和微腐蚀性的介质。

Suitable for technical vacuum  
适用于工艺真空

### Applications 应用

- Pneumatic control  
气动控制
- Shut-off, dosing, filling and ventilating  
关断、投配、灌装和通风
- Small-scale instruments, laboratory and measuring technology  
小型仪表、实验室和测量技术
- Welding technology  
焊接技术

**bürkert**  
Easy Fluid Control Systems

# Miniature Solenoid Valve-General Purpose 微型电磁阀-通用型 Type 6012

## Sub-base Connection 底座连接 6012型

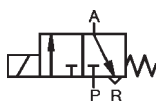
### Technical Data Type 6012

### 6012型技术参数

#### Circuit function 回路功能

#### Symbol

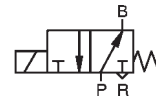
**C** 3/2-way valve, when de-energized, outlet A pressure relieved  
两位三通阀, 断电时出口A压力释放



#### Circuit function 回路功能

#### Symbol

**D** 3/2-way valve, when de-energized, outlet B pressurized  
两位三通阀, 断电时出口B增压



#### Operating Data (Valve)

#### 工作参数(阀门)

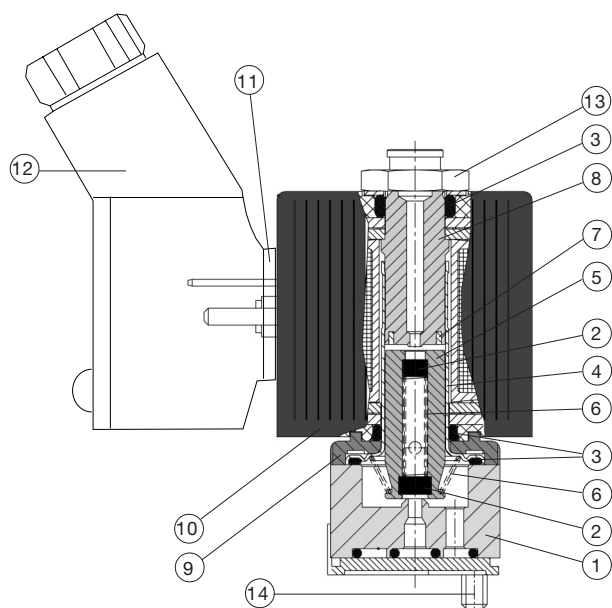
Pressure range 压力范围	0-10 bar (see specifications)
Port connection 连接口	Sub-base connection 底座连接
Orifice 内孔	DN 1.2 - 1,6 mm
Fluid 流体	Neutral gases and liquids, e.g. compressed air, town gas, natural gas, water, hydraulic oil, petrol. 黄铜阀体: 中性气体和液体, 如压缩空气、城市煤气、天然气、水、液压油汽油。 Difficult and slightly aggressive media 不锈钢阀体: 困难的和微腐蚀性的介质。 Suitable for techn. vacuum. 适用于工艺真空。
Medium temperature 介质温度	-10 to +100 °C
Max. ambient temperature 最高环境温度	+55 °C
Max. viscosity 最大粘度	21 mm <sup>2</sup> /s
Response times 反应时间	
opening 打开	12 ms
closing 关闭	约 8 ms
Installation 安装	as required, but preferably with solenoid system upright 可根据需要安装, 但最好将电磁系统朝上

#### Operating Data (Actuator)

#### 工作参数(执行机构)

Operating voltages 工作电压	AC 24, 110, 230 V/50 Hz, DC 24 V/=
Voltages tolerance 电压允差	±10 %
Power consumption 功耗	AC inrush   AC hold   DC 交流吸合   交流保持   直流 9 VA   6 VA/4 W   4 W
Duty cycle 负载周期:	100% continuously rated 100% 连续工作
Duty cycle for multiple manifolds 多路集合管负载周期	60% for manifold mounting (30 min) or use 2W-version (on request) 集合管安装60% (30分) 或采用2W式 (按需提供的)
Cycling rate 频率	1000 c.p.m.
Protection class with cable plug 带电缆插座防护等级	IP 65
Electr. connection 电气连接	Delivery standard: Cable plug DIN 43 650 C, 0-250 V (Other versions see accessories) 标准供货DIN 43650 C型电缆插座.0-250V(其他形式详见附件)

#### Materials 材质



1 Valve body: 阀体	Brass S.Steel 1.4305	黄铜 不锈钢
2 Plunger-seal: 铁心密封	FPM (Viton)	氟橡胶
3 O-rings: O型环	FPM (Viton)	氟橡胶
4 Armature guide tube: 衔铁导管	1.4303	不锈钢
5 Plunger: 铁心	1.4105	不锈钢
6 Spring: 弹簧	1.4310	不锈钢
7 Shading ring: 挡圈	Cu (brass version) 铜(黄铜阀体) Ag(stainless steel version) 银(不锈钢阀体)	
8 Stopper: 止动器	1.4105	不锈钢
9 Flange: 法兰	Zn3 gl cC (surface)	
10 Coil: 线圈	PA (Polyamide)	尼龙
11 Flat seal: 平垫片	NBR	丁腈橡胶
12 Cable plug: 电缆插座	PA (Polyamide)	尼龙
13 Locknut: 锁紧螺母	9SMnPb28K (surface Zn5glcA)	
14 Mounting screw: 安装螺钉	DIN 84-4.8 A2L	

# Miniature Solenoid Valve-General Purpose 微型电磁阀-通用型 Type 6012

## Sub-base Connection 底座连接 6012型

Specifications - Ordering Chart (Other Versions on Request) 规格 癖订货表 (其他形式按需提供)

### Type 6012: brass and stainless steel body, Viton seal

(with standard-cable plug 0-250 V AC/DC)

### 6012型, 黄铜和不锈钢阀体, 氟橡胶密封

(带标准电缆插座 0-250V AC/DC)

Circuit function 回路功能	Orifice 内孔 [mm]	Kv-value water Kv值(水) [m <sup>3</sup> /h]	QnN-Value air <sup>1)</sup> QnN值 空气 [l/min]	Pressure range <sup>2)</sup> 压力范围 [bar]	Port connection 连接口 [inch]	Voltage/frequency 电压/频率 [V/Hz]	Weight 重量 [g]	Order-No. 订货号 (Brass body) (黄铜阀体)	Order-No. 订货号 (Stainless steel body) (不锈钢阀体)
C	1,2	0,045	48	0-10	Sub-base	24/=	75		134 191 G
				0-10		24/50		134 192 H	
				0-10		110/50		134 193 A	
				0-10		230/50		134 194 B	
	1,6	0,06	65	0- 6	Sub-base	24/=	75		134 195 C
				0- 6		24/50		134 196 D	
				0- 6		110/50		134 197 E	
				0- 6		230/50		134 198 P	

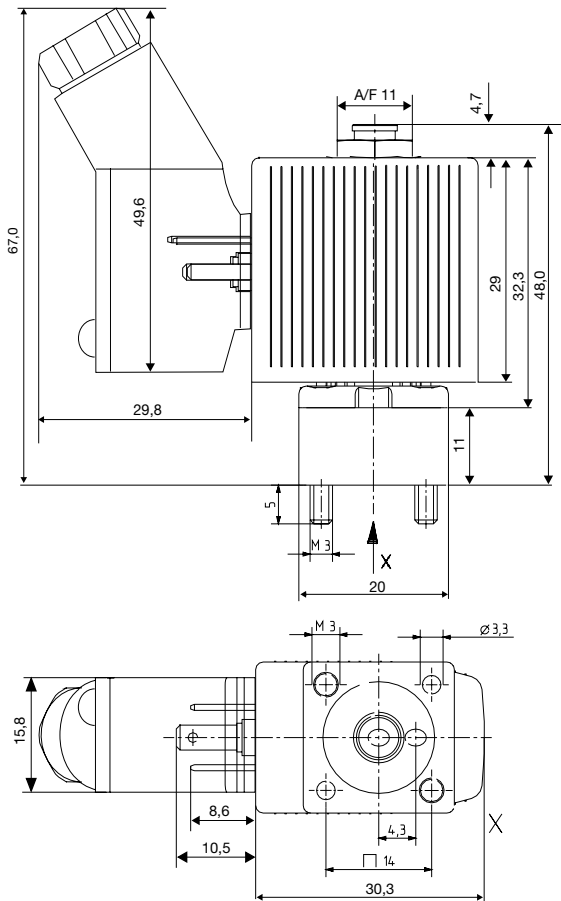
<sup>1)</sup> Measured with 6 bar upstream pressure and 1 bar pressure drop across the valve at +20 °C.

20 °C, 上压6巴, 阀两端压差1巴时测得。

<sup>2)</sup> All pressures quoted are gauge pressures with respect to the prevailing atmospheric pressure.

所有压力均为相对于大气压的表压。

### Dimensions (in mm) 外型尺寸



View without cable plug  
不带电缆插座时的视图

