

交流電壓, 電流轉換器 (AC CURRENT & VOLTAGE TRANSDUCER)

MODEL
PA



特點(FEATURES)

精確度0.25%滿刻度(RMS) (Accuracy 0.1%F.S.(TRMS),0.25%F.S.(RMS))
 多種輸入,輸出選擇(Wide selection of input/output range)
 輸入與輸出絕緣耐壓2仟伏特/1分鐘(Dielectric strength 2KVac/1min. (input/output/power))
 沖擊電壓測試5仟伏特(1.2x50us)(Impulse test 5KV(1.2x50us)(IEC255-4,ANSI C37.90a/1974)
 突波電壓測試2.5仟伏特(0.25ms/1MHz)(Surge test (ring wave)2.5KV(0.25ms/1MHz)(IEC255-4)
 尺寸小,穩定性高(Dimension small and High stability)

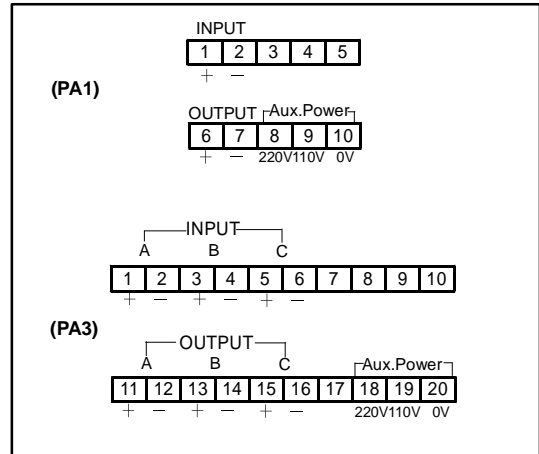
1:MODEL:PA (選購型號)

NO	Input Unit	NO	Input Type	NO	Input Range	NO	Frequency	NO	Output Range	NO	Output Range	NO	Aux. Power
1	1 unit	A	Voltage(RMS)	1	AC0~120V	A	50Hz	A	DC0~50mV	F	DC0~1mA	A	AC110V/220V
3	3 units	B	Current(RMS)	2	AC0~240V	B	60Hz	B	DC0~1V	G	DC0~10mA	B	AC/DC20~60V
		O	SPECIFIED	3	AC0~400V	C	400Hz	C	DC1~5V	H	DC0~20mA	C	AC/DC90~260V
				4	AC0~1A	D	SPECIFIED	D	DC0~10V	I	DC4~20mA		Less 3VA for AC/DC input
				5	AC0~5A	E		E	DC2~10V	O	SPECIFIED		
				9	SPECIFIED		Frequency ± 10%						

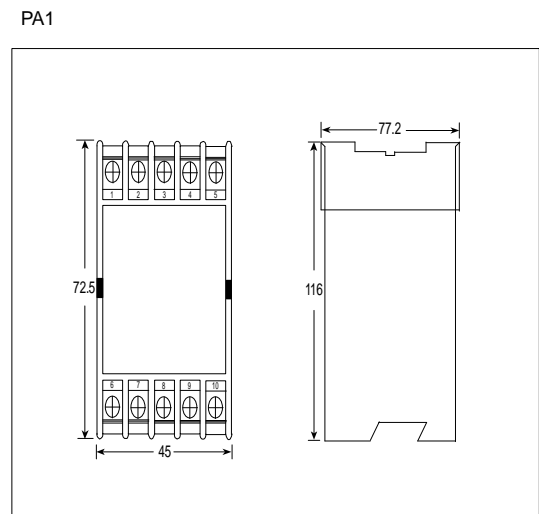
2:SPECIFICATION (主要規格)

Measuring accuracy : 0.25%F.S.(RMS) (23 ± 5)
 (精確度)
 Input burden : <0.2VA(voltage)
 (輸入負載) <0.2VA(current)
 Maximum input over : Current related input:3 x rated continuous
 (最大過載能力) 10 x rated 30 sec. ,25 x rated 3sec.
 50 x rated 1sec.
 Voltage related input:maximum 2x rated continuous
 Response time : <250ms (0~90%)
 (輸出反應時間)
 Output drive capability : <10mA for voltage mode
 (輸出負載能力) <10V for current mode
 Output ripple(p-p) : <0.1% F.S.
 (輸出漣波)
 Zero (offset) range : 0~ ± 5% F.S.
 (歸零調整範圍)
 Span (scale) range : 0~ ± 10% F.S.
 (最大值調整範圍)
 Temp. coefficient : 100ppm/ (0~50)
 (溫度係數)
 Isolation : Input/Output/Power/Case
 (隔離特性)
 Insulation Resistance : >100Mohm with 500V DC
 (絕緣阻抗)
 Dielectric strength : 2KVac/1 min. (input/output/power)
 (絕緣耐壓能力)
 Impulse test : ANSI C37.90a/1974,DIN-IEC 255-4
 (衝擊測試) impulse voltage 5KV (1.2 x 50us)
 Surge test(ring wave) : 2.5KV-0.25ms/1MHz
 (突波測試)
 Operating condition : -20~60 (20 to 90% RH non-condensed)
 (使用環境條件)
 Storage condition : -30~70 (20 to 90% RH non-condensed)
 (存放環境條件)
 CE EMC Certification : EN 55022:1998/A1:2000 Class A
 (CE認證) EN 61000-3-2:2000
 EN 61000-3-3:1995/A1:2001
 EN 55024:1998/A1:2001

3.Terminal connection(接線圖)



4.Dimension(unit:mm)(外型尺寸)



PA3 see PW Transducer dimension