

目 录

CATALOG

一

冲压外圈滚针轴承

Drawn cup needle roller bearings

7

HK BK TA TLA TAM TLAM

10

SCE SCH BA BHA J JH

22

冲压外圈满装滚针轴承

29

Drawn cup full complement needle roller bearing

F FH MF MFH FY MFY

冲压外圈有密封圈滚针轴承

32

Drawn cup needle roller bearing with ring

HK...RS HK...2RS BK...RS

二

冲压外圈滚针离合器

Drawn cup needle roller clutch,
drawn cup needle roller clutch assembly

35

HF HFL RC RCB

36

三

向心滚针和保持架组件

Radial needle roller and cage assemblies

39

向心滚针和保持架组件

40

Radial needle roller and cage assemblies

K K...ZW K...D K...ZWD

长圆柱滚子和保持架组件

50

No collar slab roller and cage assemblies

KNL

连杆用滚针和保持架组件

52

Rid-use needle roller and cage assemblies

KZK KBK

滚 针 轴 承

Solid collar needle roller bearing	57
无内圈滚针轴承 有内圈滚针轴承	58
Needle roller bearings without inner ring	
Needle roller bearings with inner ring	
RNA NK NA NKI	
无内圈或有内圈带密封滚针轴承	70
Seal ring needle roller bearing with inner ring	
or without inner ring	
RNA...RS RNA...2RS NK...RS NK...2RS	
NA...RS NA...2RS NKI...RS	
NKI...2RS	
无挡边无内圈滚针轴承 无挡边有内圈滚针轴承	72
Needle roller without shoulder and inner ring	
Needle roller without shoulder and with inner ring	
RNAO NAO	
无内圈或有内圈满装滚针轴承	76
Full complement needle roller bearing with or without inner ring	
RNAV NAV	

圆 柱 滚 子 轴 承

Cylindrical roller bearings	79
圆柱滚子轴承	80
Cylindrical roller bearings	
NU NJ NUP N NF	
带止动环圆柱滚子轴承	81
Cylindrical roller bearings with snap ring	
NUP...N NUP...NR	

六

支承滚轮 曲线滚轮

Supporting roller and curve roller 91

支承滚轮轴承 Supporting roller bearings

RSTO STO 92

NA22...2RS RNA22...RS 95

NATR NATR...PP NATV NATV...PP 97

NUTR NAST 99

曲线滚轮轴承 Curve roller bearings

KR NUKR KR...PP NUKR...PP 103

CF CF...uu 106

七

内 圈

Inner ring IR, LR 110

IR LR IRT LRB

八

推 力 平 面 轴 承

Thrust Ball Bearing with Flat Seat 123

滚针和保持架组件 推力垫圈、轴圈、座圈 124

Needle roller and cage assemblies

Thrust washer Shaft ring Seat ring

AXK AXW NTB TC AX

AS LS ZS TRA TRB TRC TRD

推力圆柱滚子和保持架组件 座圈 轴圈 132

Thrust cylindrical roller and cage assemblies Seat ring Shaft ring

811 812 893 LS GS WS

九

汽 车 轴 承

Automobile bearings 138

十

非 标 轴 承

Non-standard bearings 144

常州亚派轴承有限公司 0519-88995562

冲压外圈滚针轴承采用优质钢板经精密冲压而成，外圈壁薄，具有径向截面积小，承载能力大，惯性小，制造经济等特点。是用于安装空间受到限制和壳体孔不宜作为滚道，轴承压入座孔后不需再轴向定位。

冲压外圈滚针轴承一般以轴径为内滚道，但根据使用条件也可选用合适的 LR 型内圈配合使用。

冲压外圈滚针轴承主要有带保持架和满装滚针两种结构，两种结构各又有穿孔型和封口型之分，有保持架的又有单面带密封圈与双面带密封圈等形式。满装滚针结构具有较大的承载能力。

YPB 可提供本样本中所列标准和非标准公制尺寸。英制系列冲压外圈滚针轴承以及外圈有油孔、双列滚针、尼龙保持架，有内圈、有密封圈等有特殊要求(订货时有特殊技术要求)高精度的冲压外圈滚针轴承。



冲压外圈滚针轴承
Drawn Cup Needle Roller Bearings

The outer ring of drawn cup needle roller bearing is punched with the high-quality steel sheet. The outer ring has thin wall. The drawn cup needle roller bearing has the characteristics of small radial section area, large load carrying capacity, less inertia and economic manufacture. It is suitable for small section height, or when the housing bore isn't used for raceway, this type is recommended to use. The bearing is assembled into the housing bore under a certain pressure without further axial location.

The drawn cup needle roller bearing generally takes its shaft diameter as the internal raceway. However, the proper LR type inner ring can be used in accordance with application condition.

The drawn cup needle roller bearing has two structures - with retainer and with full of needles. They are divided into open-end type and close-end type. The structure with retainer has the single seal ring and double seal ring. The structure with full of needles has a large load carrying capacity.

YPB can provide all drawn cup needle roller bearings listed in this catalogue, including standard size and non-standard metric size, and inch-series as well as the high-precision drawn cup needle roller bearings with special requirements such oil hole in outer ring, double-row needles, nylon retainer, inner ring, seal ring, etc. (special technical requirement on order).

轴承检验

根据 ZBJ11020 标准和世界各滚针轴承制造公司 (日本 NTN、KOYO、德国 INA、美国 TORRINGTON) 对冲压外圈滚针轴承的检验规定: 冲压外圈壁厚薄, 热处理易变形, 在安装前测量检验轴承外径毫无意义。测量检验时应使被测量轴承压入标准座孔后才能获得最终尺寸和几何精度。座孔尺寸偏差应符合推荐规定 (见表 1)。滚针内接圆直径近似在公差带 F8 范围内。

Inspection of Bearings

In accordance with ZBJ11020 standard and inspection regulations of the world needle roller bearing manufacturing company (such as Japan NTN, KOYO, Germany INA, American TORRINGTON). Since the punched outer ring has thin wall and is easy to be deformed in heat treatment, it is unnecessary to inspect the outside diameter of bearing before installation. Only when the inspected bearing is pressed into the standard housing bore, the final size and geographic accuracy can be obtained. The tolerance of housing bore size shall be in conformity with regulations (see Table -1). The inscribed circle diameter for needle roller will conform to the range of tolerance F8.

推荐的座孔和轴的公差 (Recommended Tolerance of Shaft and Housing Bore)

表 1 (Table 1)

轴承座材料 (刚性轴承座) Material of bearing housing (Rigid Housing)	座孔公差 Housing Bore Tolerance	轴公差 Shaft Tolerance (table - 1)	
		无内圈 With inner ring	有内圈 Without inner ring
钢或铸铁 Steel or Cast-iron	N6(N7)		
有色金属或座孔壁厚小于 6mm Nonferrous metal or wall thickness of housing bore less than 6mm	R6(R7)	h5(h6)	k5(j6)

关于冲压外圈轴承的滚针内接圆直径偏差的正确的测量检查方法:

1. 测量时应使被测量轴承和标准件处于同一温度, 测量的标准温度为 20℃。
2. 成套轴承滚针组单一最小内径的偏差 ΔF_{wmin} 的检查, 是将轴承压入标准圈中用极限塞规检查。

The correct measuring method for tolerance of inscribed circle diameter of needle roller:

1. In measuring, the inspected bearing and standard part should be under same temperature. The standard temperature for inspection is 20℃.
2. As for the inspection of single minor inside diameter deviation ΔF_{wmin} for package bearing roller set, it shall be inspected with limit plug gauge.

成套轴承滚针组单一最小内径的偏差按表 2 的规定

Deviation of single minor inside diameter in package bearing roller set specified in Table - 2

表 2 μm (Table 2)

滚针组公称内径 $F_w(\text{mm})$ Nominal Inside Diameter of Needle Roller Set $F_w(\text{mm})$		$\Delta F_{wnin}=F_{wnin}-F_w$	
超过 (Over)	到 Upto	上差 (Upper Deviation)	下差 (Lower Deviation)
3	6	+28	+10
6	10	+31	+13
10	18	+34	+16
18	30	+41	+20
30	50	+50	+25
50		+60	+30

轴承单一宽度偏差 ΔC_s 统一规定为 $0_{-0.25}^0\text{mm}$, 标准圈按表 3 规定

Bearing single width deviation ΔC_s is specified as $0_{-0.25}^0\text{mm}$ and the tolerance of standard ring is shown as Table - 3

表 3 mm (Table 3)

轴承公称外径 $D(\text{mm})$ Nominal Outside Diameter of Bearing $D(\text{mm})$		轴承公称内径 Nominal Inside Diameter of Bearing	标准圈公差 μm Standard ring tolerance	标准圈壁厚 Standard ring wall thickness
超过 (Over)	到 (Up to)			
6	10	D-0.016	按 GB1957 中 IT8 公差级的规定 Specified according to IT8 of GB1957 Specified	大于或等于 20 More than or equal to 20
10	18	D-0.020		
18	30	D-0.024		
30	50	D-0.028		
50	80	D-0.033		

塞规按表 4 规定

Insert Gauge according to the stipulation shown in Table - 4

表 4 (Table 4)

轴承公称外径 FW(mm) Nominal Outside Diameter of Bearing FW(mm)		塞规公称外径 Nominal Outside Diameter of Insert Gauge		塞规公差 μm Tolerance of Insert Gauge μm
超过 (Over)	到 (Up to)	通端 (Go-end)	止端 (No-go-end)	按 GB1957 中 IT7 公差级的规定 In accordance with tolerance shown in GB1957 IT 7
3	6	Fw+0.010	FW+0.030	
6	10	Fw+0.013	FW+0.033	
10	18	Fw+0.016	FW+0.036	
18	30	Fw+0.020	FW+0.043	
30	50	Fw+0.025	FW+0.052	
50		Fw+0.030	FW+0.062	

若用户另有要求，由本公司与用户协商签订。

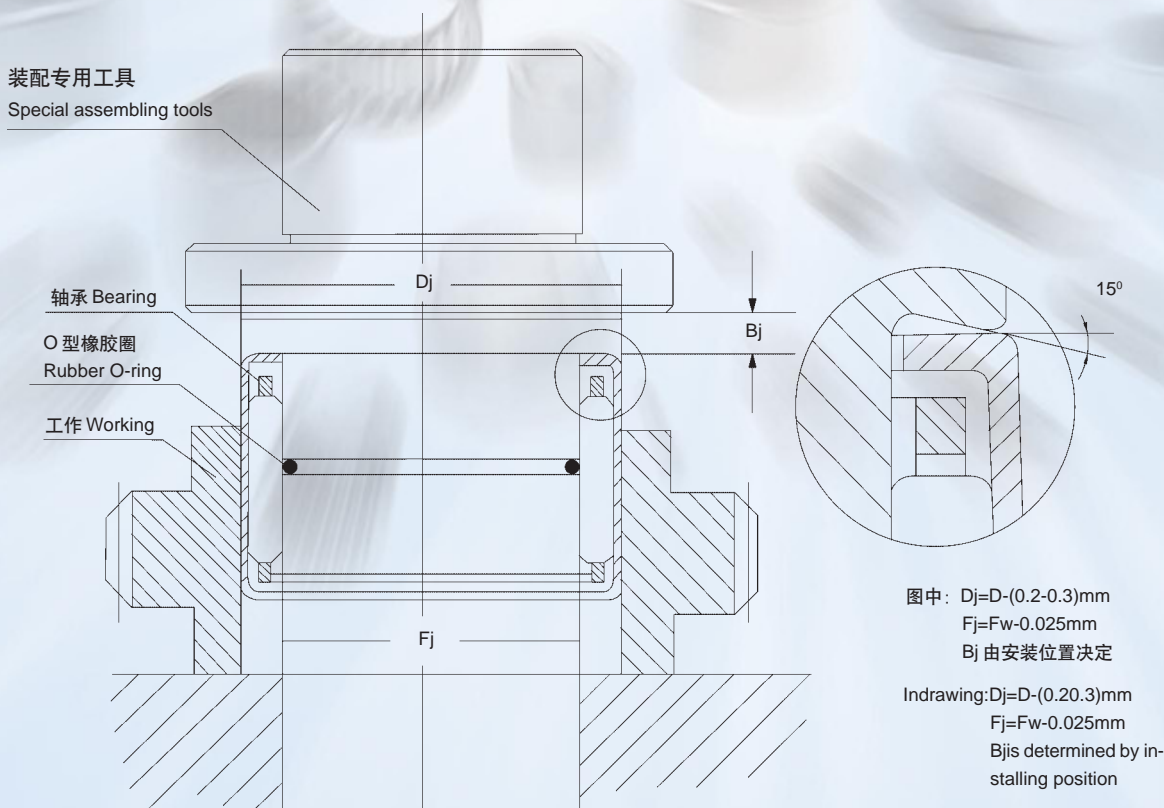
If customer has the additional requirement, it shall be made on agreement between company and customer.

安 装

为了避免冲压外圈产生局部变形或脆裂，防止滚针的正常工作遭受破坏。禁止在安装轴承时使用手锤等工具敲击薄壁外圈，应使用压力机或专用安装工具进行安装，参考轴承安装方法示意图如下：

Installation

In order to prevent the outer ring from deforming or cracking and needles from damage, it is prohibited to knock the thin-wall outer ring with harmer in installation. The press machine or special assembling tools shall be used for installation. The installation of bearings refers to the following schematic drawing.



常州亚派轴承有限公司 0519-88995562

冲压外圈滚针轴承是用薄钢板精密冲压而成形的，剖面高度极小，且具有较大负荷容量，特别适用于要求经济性的大批量产品。

该类滚针轴承的外圈与轴承箱采用静配合，不需要轴向固定装置。即使在高速大负荷条件下，也能充分保持轴承功能。另外，因贮脂容积大，可长期不加润滑脂。

封口型轴承的一端为密封式，适用于轴端且可承受小的轴向游动力。

HK TA TLA 穿孔型有保持架冲压外圈滚针轴承，BK 封口型有保持架冲压外圈滚针轴承，SCE BA J JH 冲压外圈滚针轴承(英制系列)

冲压外圈带保持架滚针轴承

Drawn Cup Needle Roller Bearing With Retainer

YPB[®]



The outer ring of drawn cup needle roller bearing is punched with the steel sheet. It has the small sectional height and the large load carrying capacity and is suitable for economic mass production.

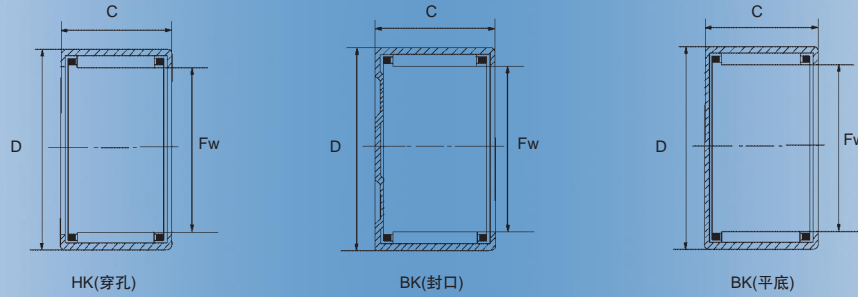
The interference fit between outer ring and bearing housing is applied to this kind of needle roller bearing without axial fixing device. Even for the condition of high load, it fully maintains bearing function either. In addition, with the large grease-storage capacity, it is unnecessary to add grease for a long-term operation.

Since one end of the close-end bearing is sealed, it is suitable for the end of shaft with bearing the small axial sliding force.

Model HK, TA, TLA, open-end drawn cup needle roller bearings with retainer,

Model BK close-end drawn cup needle roller bearing with retainer,

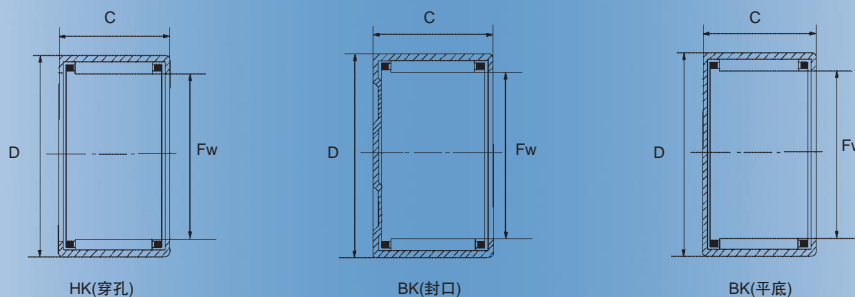
Model SCE, BA, J, JH, drawn cup needle roller bearings (Inch series).



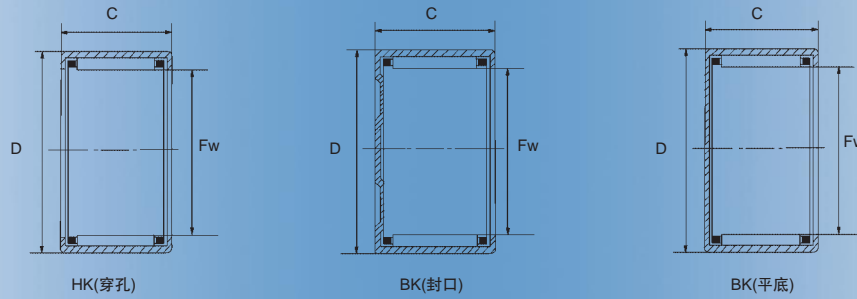
轴径 Shaft Diameter	轴承型号 Bearing Designation		重量 Mass 近似 Approx	外形尺寸 Boundary Dimensions			额定负荷 Basic Load Rating		极限转速 Limiting Speed
	现型号 Current Code	原型号 Original Code		Fw	D	C	动	静	油 滑 油 Oil
							Dynamic	Static	
mm			g	mm			N		rpm
3	HK0306TN			3	6.5	6	1320	950	6000
	BK0306TN			3	6.5	6	1320	950	6000
4	HK0408TN	37941/4	1.6	4	8	8	1540	1070	40000
	BK0408TN	5941/4	1.8	4	8	8	1540	1070	40000
5	HK0509TN			5	11	9	2200	1790	36000
	HK0509	47941/5	2	5	9	9	2200	1790	36000
	BK0509	45941/5	2.1	5	9	9	2200	1790	36000
	HK0510			5	9	10			
6	HK0606			6	10	6			
	HK0607	27941/6	1.8	6	10	7	1600	1400	30000
	HK0608	37941/6	2.1	6	10	8	1830	1550	32000
	BK0608	35941/6	2.2	6	10	8	1830	1550	32000
	HK0609	47941/6	2.2	6	10	9	2650	2400	30000
	BK0609	45941/6	2.6	6	10	9	2650	2400	30000
	HK0611		2.3	6	10	11	1700	1500	29000
7	HK06X12X8	3941/6	2.5	6	12	8	2230	2010	33000
	HK0708			7	11	8	2800	2150	27000
	HK0709	47941/9	2.3	7	11	9	2800	2150	27000
	BK0709	45941/9	2.9	7	11	9	2800	2150	27000
	HK0712			7	11	12			
	HK07X12X08		2.2	7	12	8	3300	3220	37000
8	HK07X12X09		2.4	7	12	9	3400	3150	37000
	HK0808	37941/8	2.7	8	12	8	2550	2400	21000
	HK0808TN			8	12	8			
	BK0808	35941/8	3	8	12	8	2550	2400	21000
	HK0810	57941/8	3	8	12	10	3700	3450	21000
	BK0810	88941/8	3.4	8	12	10	3700	3450	21000
	HK0812	67941/8		8	12	12			
	HK08X14X10	27942/8	5.35	8	14	10	3800	3950	25000
9	BK08X14X10	25942/8	5.8	8	14	10	3800	3950	25000
	HK08X14X12	37942/8	6.6	8	14	12	4100	4320	25000
	HK0908	37941/9	3	9	13	8	3650	4050	25000
	BK0908	35941/9	3.4	9	13	8	3650	4050	25000
	HK0910	57941/9	4	9	13	10	4050	4250	25000
	BK0910	55941/9	4.3	9	13	10	4050	4250	25000
	HK0911		4.1	9	13	11	4300	4700	25000
	HK0912	67941/9	4.6	9	13	12	5000	6000	25000
9	BK0912	65941/9	4.9	9	13	12	5000	6000	25000
	HK09X15X10	27942/9	5.6	9	15	10	5300	6300	25000

冲压外圈滚针轴承

Drawn Cup Needle Roller Bearings



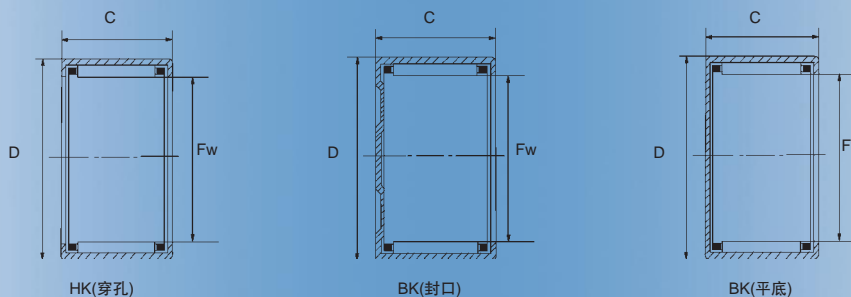
轴径 Shaft Diameter	轴承型号 Bearing Designation		重量 Mass 近似 Approx	外形尺寸 Boundary Dimensions			额定负荷 Basic Load Rating		极限转速 Limiting Speed
	现型号 Current Code	原型号 Original Code		Fw	D	C	动 Dynamic	静 Static	油润滑 Oil
				mm			N		rpm
10	HK10X13X08		3.5	10	13	8	4100	4800	20000
	HK1010	57941/10	4.1	10	14	10	3900	4800	19000
	BK1010	55941/10	4.3	10	14	10	3900	4800	19000
	HK1012	67941/10	4.8	10	14	12	5000	6300	19000
	BK1012	65941/10	5	10	14	12	5000	6300	19000
	HK1015		6	10	14	15	6700	7800	19000
	BK1015		6.2	10	14	15	6700	7800	19000
	HK10X15X15	644900	6.5	10	15	15	6800	8800	18000
	HK10X16X10		6.5	10	16	10	6800	8800	18000
	BK10X16X10		6.8	10	16	10	6800	8800	18000
	HK10X16X12	DB1012	7.5	10	16	12	6800	8800	18000
	HK10X16X15	7942/10	11	10	16	15	6800	8800	19000
	HK10X17X15		11.5	10	17	15	7200	8000	19000
HK10X18X12		8.5	10	18	12	7200	8000	19000	
12	HK1208	37941/12	3.3	12	16	8	7200	8000	19000
	HK1210	57941/12	4.6	12	16	10	4150	5800	19000
	BK1210	55941/12	5.2	12	16	10	4150	5800	19000
	HK1212	67941/12	5.6	12	18	12	3800	5100	15000
	BK1212	65941/12	6.2	12	16	12	3800	5100	15000
	HK12X17X12	7941/12	7.5	12	17	12	5100	7000	15000
	HK12X17X15	7942/12	9.5	12	17	15	5100	7000	15000
	HK12X17X18	7943/12	11	12	17	18	5100	7000	15000
	HK12X18X12	37942/12	9.1	12	18	12	5500	6300	17000
	BK12X18X12	35942/12K	10.3	12	18	12	5500	6300	17000
	HK12X18X14	67942/12	10.6	12	18	14	6500	6300	15000
HK12X19X12		10	12	19	12	6800	7400	15000	
13	HK1311		8.5	13	19	11	6300	6300	14000
	HK1312		8.9	13	19	12	6200	7100	17000
	BK1312		11.2	13	19	12	6200	7100	17000
13.5	HK13.5X19X12			13.5	19	12	6200	7100	16000
	HK13.5X20X12	7941/13.5	10.8	13.5	20	12	6250	7590	16000
14	HK1410	27941/14	8.3	14	20	10	6700	7000	16000
	BK1410	35941/14	12.1	14	20	10	6700	7000	16000
	HK1412	37941/14	10.5	14	20	12	6800	7500	16000
	HK1416	57941/14	13.9	14	20	16	7300	9000	14000
	HK1418			14	20	18	7300	9000	14000
15	HK15X20X12	7941/15	8.4	15	20	12	5800	6000	14000
	HK15X20X16	7942/15	11.4	15	20	16	6000	6200	14000
	HK15X20X20	7943/15	13.8	15	20	20	6100	6400	14000



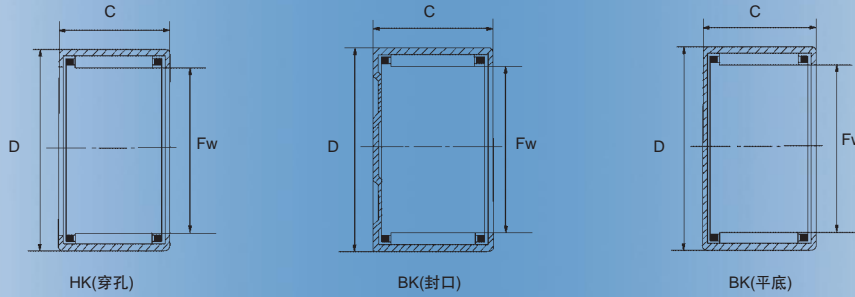
轴径 Shaft Diameter	轴承型号 Bearing Designation		重量 Mass 近似 Approx	外形尺寸 Boundary Dimensions			额定负荷 Basic Load Rating		极限转速 Limiting Speed	
	现型号 Current Code	原型号 Original Code		Fw	D	C	动 Dynamic	静 Static	油润滑 Oil	
				mm			N		rpm	
15	HK1512	37941/15	11.1	15	21	12	7000	8400	14000	
	BK1512	35941/15	12.7	15	21	12	7000	8400	14000	
	HK1514	47941/15	12.7	15	21	14	8500	10400	13000	
	HK1515		14.2	15	21	15	9100	11400	13000	
	BK1515			15	21	15	9800	11400	14000	
	TA1515			15	22	15		11400		
	TA1515Z			15	22	15		11400		
	HMK1515			15	22	15				
	HK1516	57941/15	15	15	21	16	9800	11400	14000	
	BK1516	55941/15	16.5	15	21	16	9800	11400	14000	
	HK1518				15	21	18			
	HK1520				15	21	20			
	HMK1520				15	22	20			
	HK1522	SZ-439	20.4	15	21	22	10400	16500	14000	
	BK1522		22	15	21	22	10400	16500	14000	
	HK15X22X12	7948/15	12.5	15	22	12	14300	18400	13000	
	HK15X22X12.5	7948/15K	13.5	15	22	12.5	14300	18400	13000	
	16	HK16X21X06		5.5	16	21	6	4200	5300	12000
HK16X21X09			7.5	16	21	9	4400	5600	12000	
HK1610		27941/16		16	22	10				
HK1612		37941/16	11.7	16	22	12	7100	9200	14000	
BK1612		35941/16	13.8	16	22	12	7100	9200	14000	
HK1612K				16	22	12				
HK1614		47941/16	14.4	16	22	14	8800	9900	12000	
HK1616		57941/16	15.8	16	22	16	10100	14300	14000	
BK1616		55941/16	17.6	16	22	16	10100	14300	14000	
HK1616-ASI				16	22	16				
HK1617		SZ-435	18	16	22	17	12900	17200	12000	
HK1620		77941/20		16	22	20				
HK1622		87941/16	21.7	16	22	22	11100	17400	14000	
BK1622		85941/16	23.4	16	22	22	11100	17400	14000	
17	HK17X21.5X15	17BTM15	10	17	21.5	15	6300	8600	11000	
	HK1712	37941/17	12.2	17	23	12	6900	9300	13000	
	BK1712	35941/17	14.5	17	23	12	6900	9300	13000	
	HK1714	7941/17	14	17	23	14	6800	10200	10000	
	HK1716	57941/17	15.9	17	23	16	8500	12500	10000	
	BK1716			17	23	16	8500	12500	10000	
	HK1718	7942/17	19	17	23	18	9500	10600	10000	
	HK1720			17	23	20	10000	11800	10000	

冲压外圈滚针轴承

Drawn Cup Needle Roller Bearings



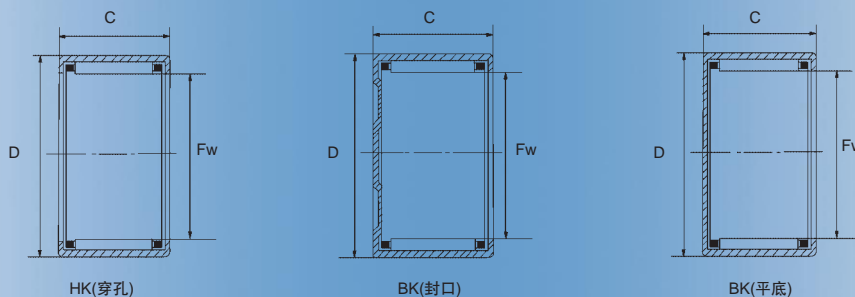
轴径 Shaft Diameter	轴承型号 Bearing Designation		重量 Mass 近似 Approx	外形尺寸 Boundary Dimensions			额定负荷 Basic Load Rating		极限转速 Limiting Speed		
	现型号 Current Code	原型号 Original Code		Fw	D	C	动 Dynamic	静 Static	油润滑 Oil		
				mm			N		rpm		
17	HK1722	7943/17	17	17	23	22					
	HK17X24X15		17	17	24	15	11200	12800	10000		
	HK17X25X14	37942/17K	17.7	17	25	14	13100	14700	10000		
	HK17X25X15.5		20	17	25	15.5	9320	10400	10000		
	HK17X25X18	57942/17K	23.5	17	25	18	9500	10600	11000		
18	HK1812	37941/18	13.1	18	24	12	7100	9900	12000		
	BK1812	35941/18	14.9	18	24	12	7100	9900	12000		
	HK1816	57941/18	17.5	18	24	16	10600	15300	12000		
	BK1816	55941/18	19.9	18	24	16	10600	15300	12000		
	HK18X24X20		18	18	24	20					
	HMK1825			18	25	25					
19	HK19X27X16	TA1916	23	19	27	16	8100	9500	10500		
20	HK2010	27941/20	11.8	20	26	10	5900	7200	10000		
	BK2010	25941/20	14	20	26	10	5900	7200	10000		
	HK2011		12	20	26	11	7500	9200	9000		
	HK2012	37941/20	14.1	20	26	12	7600	10100	10000		
	BK2012	35941/20	16.7	20	26	12	7600	10100	10000		
	HK2014	47941/20	15.7	20	26	14	9700	18100	9000		
	HK2016	57941/20	19.3	20	26	16	11700	29100	10000		
	BK2016	55941/20	22.3	20	26	16	11700	29100	10000		
	HK2018	67941/20	23.3	20	26	18	7900	12800	9000		
	HK2020	7942/20	24.1	20	26	20	13700	24000	10000		
	BK2020	75941/20	27.1	20	26	20	13700	24000	10000		
	HK2025	7943/20	28	20	26	25	9100	14800	9900		
	HK2030		41	20	26	30	21800	40000	10100		
	BK2030		43	20	26	30	21800	40000	10100		
	HK20X27X18				20	27	18	26000	47200	9900	
	HK20X27X20					20	27	20	26300	47800	9900
	HK20X27X30					20	27	30	28500	48800	9900
	HK20X28X16	47942/20	28.5	20	28	16	29600	49800	9900		
HK20X29X18		41	20	29	18	30900	54600	9900			
22	HK22X28X7.5TN		8.8	22	28	7.5	5200	7000	10100		
	HK2210	27941/22	12.3	22	28	10	7200	9500	10100		
	HK2212	37941/22	15	22	28	12	8100	10400	10100		
	BK2212	35941/22	18.1	22	28	12	8100	10400	10100		
	HK2216	57941/22	20.9	22	28	16	11400	18100	10100		
	BK2216	55941/22	24.3	22	28	16	11400	18100	10100		
	HK2220	77941/22	26.2	22	28	20	14500	25000	10100		
	BK2220	75941/22	29.9	22	28	20	14500	25000	10100		



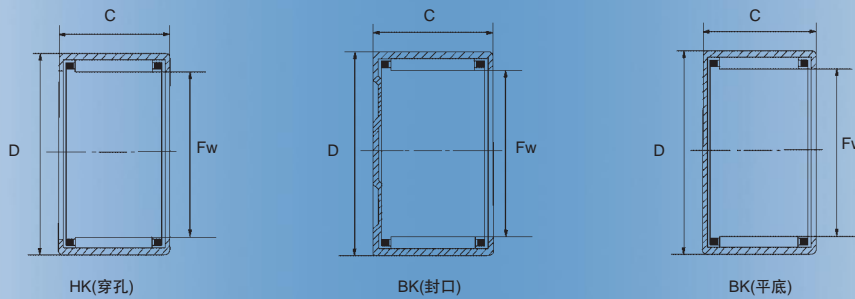
轴径 Shaft Diameter	轴承型号 Bearing Designation		重量 Mass 近似 Approx	外形尺寸 Boundary Dimensions			额定负荷 Basic Load Rating		极限转速 Limiting Speed
	现型号 Current Code	原型号 Original Code		Fw	D	C	动 Dynamic	静 Static	油润滑 Oil
				mm			N		rpm
22	HMK2225			22	29	25			
	HK2230		32	22	28	30	17500	30400	9000
	HK22X29X25		37	22	29	25	18100	31500	9000
	HK22X25X30		43	22	29	30	19400	33100	9000
	HK22X30X14	37942/22	21.9	22	30	14	19800	34000	9000
24	HK24X30X7.5TN		10.6	24	30	7.5	5800	7200	10000
25	HK2512	27941/25	20	25	32	12	10000	14200	9000
	BK2512	25941/25	23.2	25	32	12	10000	14200	9000
	HK2514	37941/25	21.9	25	32	14	13600	18700	9000
	HK2516	7941/25	27.3	25	32	16	13600	20000	9000
	BK2516	5941/25	31	25	32	16	13600	50000	9000
	HK2518	57941/25	28.2	25	32	18	17500	25800	9000
	HK2520	67941/25	34.1	25	32	20	17900	30000	9000
	BK2520	65941/25	38.7	25	32	20	17900	30000	9000
	HK2525	7943/25	40	25	32	25	22200	36700	9000
	HK2526		44.8	25	32	26	22500	42000	9000
	BK2526		49	25	32	26	22500	42000	9000
	HK2538	87941/25	64.7	25	32	38	30000	58000	9000
	BK2538	85941/25	69	25	32	38	30000	58000	9000
	HK25X33X10		17	25	33	10	34800	69600	9000
	HK25X33X15		27.4	25	33	15	35700	70000	9000
	HK25X35X20	57942/25	44.9	25	35	20	36100	78650	9000
28	HK2812			28	35	12			
	HK2816	47941/28	30.1	28	35	16	15400	22500	8700
	BK2816	45941/28	34.1	28	35	16	15400	22500	8700
	HK2818	57941/28	31.7	28	35	18	18500	29300	8700
	HK2820	67941/28	37.6	28	35	20	18900	32000	8700
	BK2820	65941/28	43	28	35	20	18900	32000	8700
	HK2825			28	35	25			
	HK2830			28	35	30			
30	HK3012	27941/30	24	30	37	12	10100	16200	8100
	BK3012	25941/30	27.9	30	37	12	10100	16200	8100
	HK3016	47941/30	32	30	37	16	15200	27000	8100
	BK3016	45941/30	37.1	30	37	16	15200	27000	8100
	HK3018	57941/30	33.6	30	37	18	19200	31500	8100
	HK3020	67941/30	40.1	30	37	20	19700	33500	8100
	BK3020	65941/30	46.5	30	37	20	19700	33500	8100
	HK3020-K			30	37	20			

冲压外圈滚针轴承

Drawn Cup Needle Roller Bearings



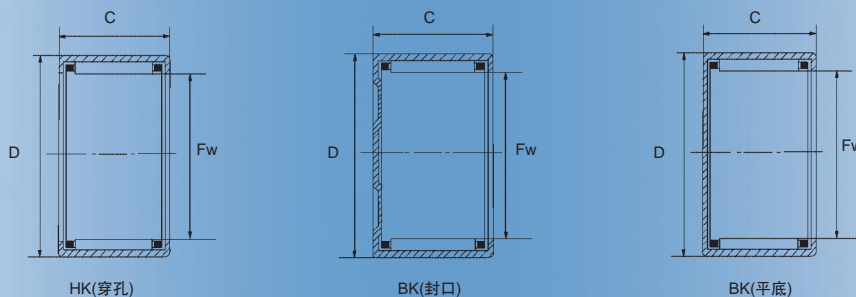
轴径 Shaft Diameter	轴承型号 Bearing Designation		重量 Mass 近似 Approx	外形尺寸 Boundary Dimensions			额定负荷 Basic Load Rating		极限转速 Limiting Speed
	现型号 Current Code	原型号 Original Code		Fw	D	C	动 Dynamic	静 Static	油润滑 Oil
				mm			N		rpm
30	HMK3020			30	40	20			
	HK3024			30	37	24			
	HMK3025			30	40	25			
	HK3026		52.9	30	37	26	24000	50000	8100
	BK3026		59.4	30	37	26	24000	50000	8100
	HK3030			30	37	30			
	HMK3030			30	40	30			
	HK3038		76.1	30	37	38	32500	74000	8100
	BK3038		82.5	30	37	38	32500	74000	8100
	HK30X38X12	27941/30K	28	30	38	12	38100	80000	8100
	HK30X38X16	7941/30	32.7	30	38	16	39000	82000	8100
	HK30X38X24	7942/30	49	30	38	24	39910	88800	8100
HK30X38X32	7943/30	69	30	38	32	38890	88700	8100	
32	HK32X38X11		17	32	38	11	19700	43200	7800
	HMK3220			32	42	20			
	HK3224	77941/32	50.7	32	38	24	25500	52000	7300
	HK3232	97941/32	66.4	32	39	32	22600	54300	7100
	HK32X19X16			32	19	16			
	HK32X40X32	7943/32	72.7	32	39	32	27990	59890	7100
	HK32X41X16			32	41	16			
35	HK3512	27941/35	27.7	35	40	12	12100	19300	7100
	BK3512	25941/35	32.9	35	42	12	12100	19300	7100
	HK3516	47941/35	36.9	35	42	16	15700	27500	7100
	BK3516	45941/35	43.8	35	42	16	15700	27500	7100
	HK3520	67941/35	46.1	35	42	20	20800	41000	7100
	BK3520	65941/35	54.8	35	42	20	20800	41000	7100
	HK3520/ASI			35	42	20			
	HK3524			35	42	24			
	BK3530			35	42	30			
	HK3530			35	42	30			
	HMK3520			35	45	20			
	HMK3525			35	45	25			
	HMK3530			35	45	30			
	HK35X42X16	7941/35	37	35	42	16	24200	47100	7100
	HK35X43X25	7942/35	60.5	35	43	25	24440	48200	6200
HK35X43X32	7943/35	80	35	43	32	24870	48880	6200	
HK35X45X12		31	35	45	12	24870	48880	6200	
36	HK36X42X12		23	36	42	12	15000	21000	6200
38	HK3818			38	45	18			



轴径 Shaft Diameter	轴承型号 Bearing Designation		重量 Mass 近似 Approx	外形尺寸 Boundary Dimensions			额定负荷 Basic Load Rating		极限转速 Limiting Speed
	现型号 Current Code	原型号 Original Code		Fw	D	C	动 Dynamic	静 Static	油润滑 Oil
				mm			N		rpm
38	HK38X48X30		102	38	48	30	16100	24100	6000
40	HK4012	27941/40	31.1	40	47	12	14000	24300	6300
	BK4012	25941/40	38.2	40	47	12	14000	24300	6300
	HK4016	47941/40	41.4	40	47	16	20000	38500	6300
	BK4016	45941/40	51	40	47	16	20000	38500	6300
	HK4020	67941/40	51.8	40	47	20	25500	52000	6300
	BK4020	65941/40	62	40	47	20	25500	52000	6300
	HK4020/ASI			40	47	20			
	HK4026			40	47	26			
	HK4030			40	47	30			
	HMK4020			40	50	20			
	HK4025	TA4025		40	50	25			
	HMK4030			40	50	30			
	HK40X50X32	7942/40	114.3	40	50	32	23000	42000	6000
HK40X50X38	7943/40	130.8	40	50	38	24100	43000	6000	
45	HK4512	27941/45	34.8	45	52	12	12900	22500	5800
	BK4512	25941/45	45	45	52	12	12900	22500	5800
	HK4512-K			45	52	12			
	HK4516	47941/45	46.2	45	52	16	19300	38000	5800
	BK4516	45941/45	56	45	52	16	19300	38000	5800
	HK4520	67941/45	56	45	52	20	22000	51000	5800
	BK4520	65941/45	72	45	52	20	22000	51000	5800
	HK4520-ASI			45	52	20			
	HK4520-K			45	52	20			
	HK4520-YA			45	52	20			
	HMK4525			45	55	25			
	HMK4530			45	55	30			
	HMK4538			45	55	38			
HK45X55X38	7943/45	135	45	55	38	27600	61000	5300	
50	HK50X57X16		51.2	50	57	16	15200	32500	5300
	HK5012	27941/50	44.2	50	58	12	23600	57200	5300
	HK5020	57941/50	72	50	58	20	28000	60000	5300
	BK5020	55941/50	87.3	50	58	20	28000	60000	5300
	HK5025	7943/50	90.1	50	58	25	34500	80000	5300
	BK5025	5943/50	109	50	58	25	34500	80000	5300
55	HK50X60X38		140	50	60	38	27770	63100	4600
	HK5520	57941/55	78	55	63	20	29500	59900	4600
	BK5520	55941/55	93.8	55	63	20	29500	59900	4600
	HK5525	77941/55	109	55	63	25	33200	69980	4600

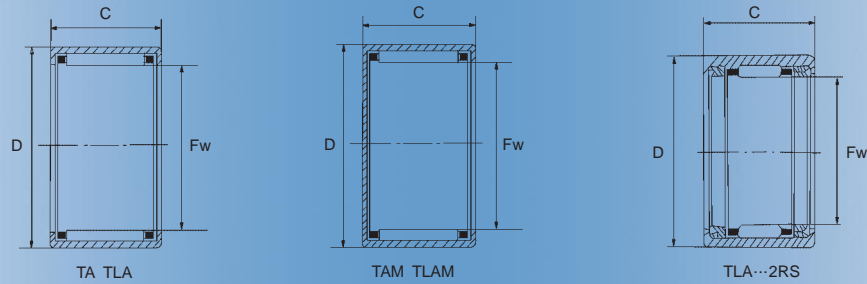
冲压外圈滚针轴承

Drawn Cup Needle Roller Bearings



轴径 Shaft Diameter	轴承型号 Bearing Designation		重量 Mass 近似 Approx	外形尺寸 Boundary Dimensions			额定负荷 Basic Load Rating		极限转速 Limiting Speed
	现型号 Current Code	原型号 Original Code		Fw	D	C	动 Dynamic	静 Static	油润滑 Oil
				mm			N		rpm
55	HK5528	87941/55	111	55	63	28	39090	98000	4600
	BK5528	85941/55	132	55	63	28	39090	98000	4600
60	HK6012		49.2	60	68	12	12400	29000	4100
	BK6012		77	60	68	12	12400	29000	4100
	HK6020	57941/60	86	60	68	20	30500	72000	4100
	BK6020	55941/60	105	60	68	20	30500	72000	4100
	HK6032	87941/60	136	60	68	32	50000	131000	4100
	BK6032	85941/60	164	60	68	32	50000	131000	4100

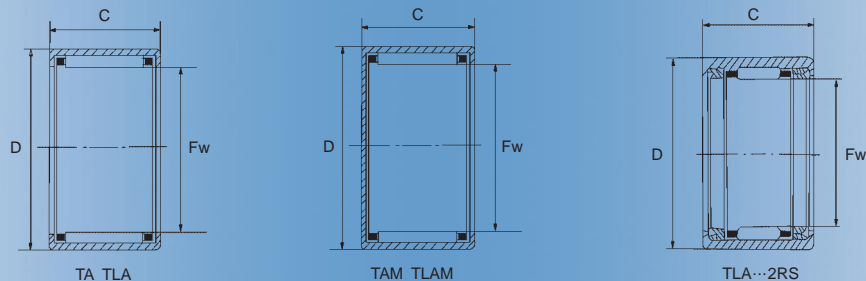
常州亚派轴承有限公司 0519-88995562



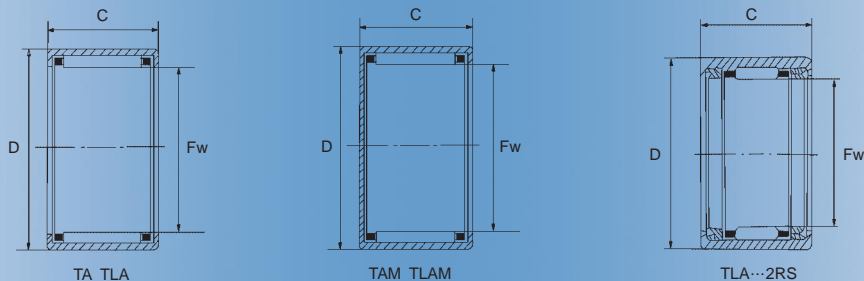
轴径 Shaft Diameter	轴承型号 Bearing Designation		重量 Mass 近似 Approx	外形尺寸 Boundary Dimensions			额定负荷 Basic Load Rating		极限转速 Limiting Speed
	现型号 Current Code	原型号 Original Code		Fw	D	C	动 Dynamic	静 Static	油润滑 Oil
				mm			N		rpm
4	TLA 48		1.6	4	8	8	140	100	75000
5	TLA 59		1.8	5	9	9	190	160	65000
6	TLA 69			6	10	9	210	190	55000
7	TLA 79		2	7	11	9	250	250	50000
8	TLA 810		2.1	8	12	10	340	370	45000
	TA 810			8	15	10	350	290	45000
	TA 815			8	15	15	590	570	45000
9	TA 912		1.8	9	16	12	520	500	45000
	TA 916		2.1	9	16	16	710	740	45000
10	TLA 1010		2.2	10	14	10			
	TLAM 1010		2.2	10	14	10			
	TLA 1012		2.6	10	14	12			
	TLAM 1012		2.3	10	14	12			
	TLA 1014 2RS		2.5	10	14	14			
	TLA 1015			10	14	15			
	TA 101610		2.3	10	16	10			
	TA 1012		2.9	10	17	12			
	TA 1010			10	17	10	420	390	40000
TA 1012		2.2	10	17	12	570	570	40000	
12	TLA 1212		2.4	12	18	12			
	TA 1212		2.7	12	19	12	610	640	35000
	TA 1215			12	19	15	760	850	35000
	TLA 1216 2RS		3	12	18	16			
13	TLA 1312		3	13	19	12	690	830	30000
14	TLA 1412		3.4	14	20	12			
	TLA 1416			14	20	16			
	TLA 1416 2RS		5.35	14	20	16			
	TA 1420		5.8	14	22	20	1410	1760	30000
15	TLA 1512		6.6	15	21	12			
	TLAM 1516		3	15	21	16			
	TA 1510		3.4	15	22	10	540	580	25000
	TA 1512		4	15	22	12	730	850	25000
16	TLA 1612		4.3	16	22	12			
	TLA 1616		4.1	16	22	16			
	TA1616		4.6	16	24	16	1130	1350	25000
	TA1620		4.9	16	24	20	1490	1940	25000
17	TLA172220		5.6	17	22	20			
	TLA172318			17	23	18			
	TA1715			17	24	15	980	1300	25000

冲压外圈滚针轴承

Drawn Cup Needle Roller Bearings



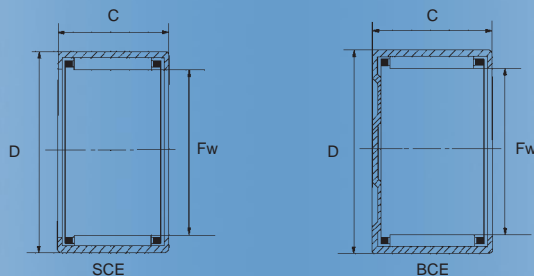
轴径 Shaft Diameter	轴承型号 Bearing Designation		重量 Mass 近似 Approx	外形尺寸 Boundary Dimensions			额定负荷 Basic Load Rating		极限转速 Limiting Speed
	现型号 Current Code	原型号 Original Code		Fw	D	C	动 Dynamic	静 Static	油 润滑 Oil
				mm			N		rpm
18	TLA 1812			18	24	12			
	TLA 1816			18	24	16			
	TA 1813		16.4	18	25	13	930	1220	20000
	TA 1815		18.5	18	25	15	1020	1390	20000
	TA 1817		21	18	25	17	1210	1720	20000
19	TA 1916		23	19	27	16	1240	1600	20000
	TA 1920		29	19	27	20	1650	2300	20000
20	TLA 2012			20	26	12			
	TLA 2016			20	26	16			
	TLAM 2020			20	26	20			
	TA 2015		20	20	27	15	1060	1490	20000
21	TA 2116		25	21	29	16	1350	1840	19000
	TA 2120		31.5	21	29	20	1790	2640	19000
22	TA 2210		15	22	29	10	680	870	18000
	TA 2215		21.5	22	29	15	1130	1670	18000
24	TA 2420		31	24	31	20	1730	2980	16000
25	TLA 2530			25	32	30			
	TA 2510		19.1	25	33	10	810	1010	15000
	TA 2515		28.5	25	33	15	1370	1970	15000
26	TA 2616		30.5	26	34	16	1550	2330	15000
	TA 2620		38	26	34	20	2050	3350	15000
28	TLA 2820			28	35	20			
	TA 2820		45	28	37	20	2160	3290	13000
	TA 2830		67.5	28	37	30	3370	5800	13000
29	TA 2920		47	29	38	20	2250	3480	13000
	TA 2930		70	29	38	30	3490	6140	13000
30	TLA 3012		23.5	30	37	12	1060	1700	12000
	TA 3013		36.5	30	40	13	1370	1710	12000
	TA 3015		42	30	40	15	1720	2280	12000
	TLA 3026		49	30	37	26	2530	5190	12000
	TLA 303730			30	37	30			
	TLA 3038			30	37	38			
	TLAM 303746			30	37	46			
	TLA 303815			30	38	15			
	TLA 303816			30	38	16			
32	TLA 3030			30	40	30			
	TA 3220		57.5	32	42	30	2590	3940	11000
	TA 3230		86	32	42	30	4030	6970	11000
35	TLA 3516			35	42	16			



轴径 Shaft Diameter	轴承型号 Bearing Designation		重量 Mass 近似 Approx	外形尺寸 Boundary Dimensions			额定负荷 Basic Load Rating		极限转速 Limiting Speed
	现型号 Current Code	原型号 Original Code		Fw	D	C	动 Dynamic	静 Static	油润滑 Oil
				mm			N		rpm
35	TLA 3520			35	42	20			
	TLA 354320			35	43	20			
	TA 3512		38.5	35	45	12	1510	2030	10000
	TA 3515		48	35	45	15	1890	2710	10000
	TA 3520		62.5	35	45	20	2760	4400	10000
	TA 3530			35	45	30			
37	TA 3720		64.5	37	47	20	2830	4630	9500
	TA 3730		101	37	47	30	4270	7820	9500
38	TA 3815		51	38	48	15	1930	2860	9000
	TA 3820		65.5	38	48	20	2820	4640	9000
	TA 3825		82.5	38	48	25	3630	6430	9000
40	TLA 4012			40	47	12			
	TLA 4016			40	47	16			
	TA 4015		54	40	50	15	1980	3000	8500
	TA 4020		69.5	40	50	20	2900	4880	8500
45	TA 4520		77	45	55	20	3120	5570	7500
	TA 4525		102	45	55	25	4010	7710	7500
	TA 4530		122	45	55	30	4860	9850	7500
50	TLA 5020		69	50	58	20	2930	6540	6500
	TLA 5025		86	50	58	25	3760	9010	6500
	TA 5012		62.5	50	62	12	1800	2450	6500
	TA 5015		78	50	62	15	2630	3980	6500
	TA 5020		107	50	62	20	3870	6530	6500
	TA 5025		134	50	62	25	5000	9080	6500
	TAW 5045		230	50	62	45	7820	16100	6500
55	TA 5520		116	55	67	20	4040	7100	5500
	TA 5525		145	55	67	25	5220	9880	5500
	TA 5530		175	55	67	30	6320	12600	5500
	TAW 5550		280	55	67	50	9330	20900	5500
60	TA 6025		158	60	72	25	5570	11100	5000
	TA 6030		191	60	72	30	6760	14200	5000
	TA 6040		250	60	72	40	8740	19700	5000
62	TA 6212		78	62	74	12	2050	3090	4500
65	TA 6525		169	65	77	25	5760	11900	4000
	TA 6530		205	65	77	30	6980	15200	4000
70	TA 7025		181	70	82	25	5960	12700	3500
	TA 7030		220	70	82	30	7230	16200	3500
	TA 7040		290	70	82	40	9380	22700	3500

冲压外圈滚针轴承 (英制系列)

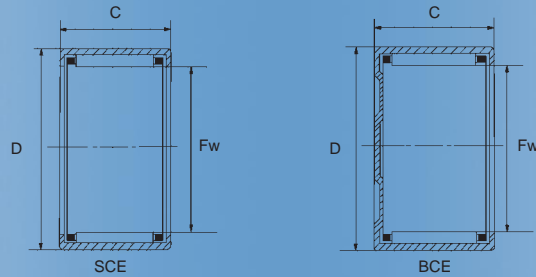
Drawn Cup Needle Roller Bearings (Inch series)



轴径 Shaft Diameter	轴承型号 Bearing Designation		重量 Mass 近似 Approx	外形尺寸 Boundary Dimensions			额定负荷 Basic Load Rating		极限转速 Limiting Speed
	现型号 Current Code	原型号 Original Code		Fw	D	C	动 Dynamic	静 Static	油润滑 Oil
mm			kg	mm			N		rpm
3.175	SCE 55 + 内套		0.004	3.175	12.7	8.334			
3.97	SCE 21/24TN			3.97	7.15	6.35			
4.762	SCE 34TN			4.762	8.731	6.35			
6.35	SCE 47		0.004	6.35	11.112	11.13			
	SCE 49			6.35	11.112	14.287			
	SCE 49PP			6.35	11.112	14.29			
7.938	SCE 55	BCE55	0.0032	7.938	12.7	7.938	2892	2625	29000
	SCE 56P		0.006	7.938	12.7	9.52			
	SCE 57		0.006	7.938	12.7	11.11			
	SCE 59		0.003	7.938	12.7	14.29			
9.525	SCE 65	BCE65	0.004	9.525	14.288	7.94	2892	2417	25000
	SCE 66		0.006	9.525	14.288	9.52	3900	3950	29500
	SCE 68		0.0065	9.525	14.288	12.7			
	SCE 68K			9.525	14.288	9.271			
	SCE 69P		0.007	9.525	14.288	14.29			
	SCE 69		0.004	9.525	14.288	14.29			
11.112	SCE 610PP			9.525	14.288	15.88	3900	3950	29500
	SCE 78		0.005	11.112	15.875	12.7	6400	7800	25000
	SCE 85		0.0047	12.7	17.462	7.94			
	SCE 86		0.006	12.7	17.462	9.52			
	SCE 86A		0.007	12.7	17.462	9.52			
	SCE 87		0.006	12.7	17.462	11.11	7340	7800	22000
	SCE 88		0.009	12.7	17.462	12.7	6897	9033	19000
12.7	SCE 810ZOH		0.009	12.7	17.462	15.88	8811	12237	19000
	SCE 810PP		0.009	12.7	17.462	15.88	8811	12237	19000
	SCE 96		0.005	14.288	19.05	9.52	5162	6408	18000
	SCE 98		0.008	14.288	19.05	12.7	7698	10769	18000
	SCE 910		0.01	14.288	19.05	15.88	9434	14017	18000
	SCE 912		0.013	14.288	19.05	19.05	10724	16465	18000
	14.288	SCE 105		0.0075	15.875	20.638	7.94	4300	5200
SCE 107-1/2			0.009	15.875	20.638	11.91	7100	10300	17600
SCE108		BCE108	0.01	15.875	20.638	12.7	8743	12015	16000
SCE109P				15.875	20.638	14.29	8743	12015	16000
SCE1010			0.011	15.875	20.638	15.88	10368	16242	16000
SCE1010PP			0.013	18.875	20.638	15.88	10368	16242	16000
SCE1012			0.014	15.875	20.638	19.05	12015	19802	16000
SCE1012PP			0.014	15.875	20.638	19.05	12015	19802	16000
17.462	SCE118		0.014	17.462	22.225	12.7	8600	13200	16000
	SCE1112		0.016	17.462	22.225	19.05	12400	21000	16000

冲压外圈滚针轴承 (英制系列)

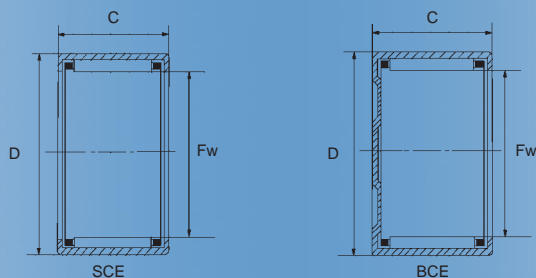
Drawn Cup Needle Roller Bearings (Inch series)



轴径 Shaft Diameter	轴承型号 Bearing Designation		重量 Mass 近似 Approx	外形尺寸 Boundary Dimensions			额定负荷 Basic Load Rating		极限转速 Limiting Speed
	现型号 Current Code	原型号 Original Code		Fw	D	C	动 Dynamic	静 Static	油 滑 油 Oil
				mm			N		rpm
19.05	SCE 128		0.013	19.05	25.4	12.7	9800	12500	14700
	SCE 120			19.05	34	14.5			
	SCE 129P		0.019	19.05	25.4	14.29	10000	13500	15200
	SCE 1210PPR		0.017	19.05	25.45	15.88	12682	17577	13000
	SCE 1211(P)		0.018	19.05	25.4	17.46	15352	22250	13000
	SCE 1212		0.021	19.05	25.4	19.05	15352	22250	13000
	SCE 1214PP			19.05	25.4	22.22			
SCE 1216		0.030	19.05	25.4	25.4				
20.638	SCE 1312		0.024	20.638	26.988	19.05	16020	23585	12000
22.225	SCE 146		0.013	22.225	28.575	9.52	8200	10700	12600
	SCE 148		0.019	22.225	28.575	12.7	11125	15797	11000
	SCE 148-OH		0.019	22.225	28.575	12.7	11125	15797	11000
	SCE 1412		0.028	22.225	28.575	19.05	16910	27145	11000
	SCE 1416		0.034	22.225	28.575	25.4	22100	38000	12600
25.4	SCE 168		0.019	25.4	31.75	12.7	12682	19135	10000
	SCE 1612		0.027	25.4	31.75	19.05	18022	30260	10000
	SCE 1614PP			25.4	31.75	22.22			
	SCE 1616		0.038	25.4	31.75	25.4	24920	45390	10000
	SCE 1616PP		0.038	25.4	31.75	25.4	24920	45390	10000
	SCE 1620		0.048	25.4	31.75	31.75			
28.575	SCE 188		0.021	28.575	34.925	12.7	12905	20247	9000
	SCE 1816	BCE1816	0.04	28.575	34.925	25.4	25810	49395	9000
	SCE 1820		0.053	28.575	34.925	31.75			
31.242	SCE 2020A			31.242	38.1	31.75			
31.75	SCE 2010		0.03	31.75	38.1	15.88	21137	39605	8000
	SCE 2012		0.037	31.75	38.1	19.05	16500	29000	8000
	SCE 2016	BCE2016	0.045	31.75	38.1	25.4	27145	54735	8800
	SCE 2020		0.056	31.75	38.1	31.75			
34.925	SCE 228		0.025	34.925	41.275	12.7	13600	23700	8000
	SCE 2212		0.039	34.925	41.275	19.05	21360	42720	7500
	SCE 2216		0.058	34.925	41.275	25.4	27590	59185	7500
	SCE 2220		0.081	34.925	41.275	31.75	34000	77000	8000
38.1	SCE 2416		0.083	38.1	47.625	25.4	38715	66305	6500
	SCE 2420		0.105	38.1	47.625	31.75			
41.275	SCE 2620		0.11	41.275	50.8	31.75	51000	97000	6800
44.45	SCE 2812		0.082	44.45	53.975	19.05	31500	55000	6300
	SCE 2816	BCE2816	0.115	44.45	53.975	25.4	41385	75650	6000
	SCE 2824		0.163	44.45	53.975	38.1			
50.8	SCE 3216		0.102	50.8	60.33	25.4			

冲压外圈滚针轴承 (英制系列)

Drawn Cup Needle Roller Bearings (Inch series)



轴径 Shaft Diameter	轴承型号 Bearing Designation		重量 Mass 近似 Approx	外形尺寸 Boundary Dimensions			额定负荷 Basic Load Rating		极限转速 Limiting Speed
	现型号 Current Code	原型号 Original Code		Fw	D	C	动 Dynamic	静 Static	油润滑 Oil
mm			kg	mm			N		rpm
50.8	SCE 32 160OH			50.8	60.38	25.4			
	SCE 3220		0.140	50.8	60.325	31.75	55180	115700	5000

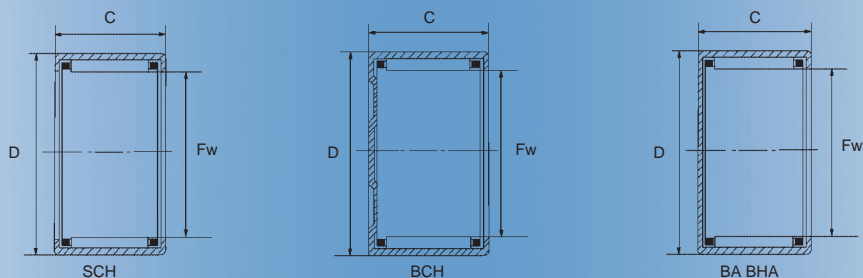
注: OH、ZOH 带油孔; P PP 带密封圈。

Note: OH、ZOH with oil hole; P PP with seal ring.

常州亚派轴承有限公司 0519-88995562

冲压外圈滚针轴承 (英制系列)

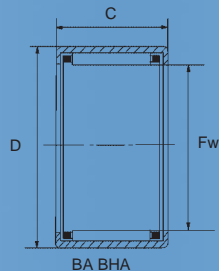
Drawn Cup Needle Roller Bearings (Inch series)



轴径 Shaft Diameter	轴承型号 Bearing Designation		重量 Mass 近似 Approx	外形尺寸 Boundary Dimensions			额定负荷 Basic Load Rating		极限转速 Limiting Speed
	现型号 Current Code	原型号 Original Code		Fw	D	C	动 Dynamic	静 Static	油润滑 Oil
mm			kg	mm			N		rpm
12.7	SCH 87		0.009	12.7	19.05	11.13			
14.29	SCH 910		0.013	14.29	20.64	15.88			
	SCH 912		0.017	14.29	20.64	19.05			
15.875	SCH 108		0.013	15.875	22.225	12.7			
	SCH 1012		0.019	15.875	22.225	19.05			
22.225	SCH 1412		0.032	22.225	30.162	19.05			
	SCH 1413			22.225	30.162	20.64			
	SCH 1413P			22.225	30.162	20.64			
	SCH 1416PP			22.225	30.162	25.4			
25.4	SCH 1416		0.043	22.225	30.162	25.4			
	SCH 1612		0.036	25.4	33.338	19.05			
	SCH 1614P			25.4	33.338	22.22			
28.575	SCH 1616		0.047	25.4	33.338	25.4			
	SCH 1812		0.048	28.575	38.1	19.05			
31.75	SCH 1816		0.063	28.575	38.1	15.4			
	SCH 2016		0.071	31.75	41.28	25.4			
34.925	SCH 2213P			34.925	44.45	20.62			
BCH 系列									
9.525	BCH 68		0.0082	9.525	15.875	12.7	500	480	40000
17.02	BCH 06604			17.02	23.83	17.53			
31.75	BCH 2020		0.0815	31.75	41.275	31.75	4080	7100	12000
BHA 系列									
12.7	BHA 88ZOH		0.0104	12.7	19.05	12.7	620	680	30000
	BHA 810ZOH		0.0125	12.7	19.05	15.88	900	1110	30000
17.462	BHA 1112ZOH		0.0193	17.462	23.812	19.05	1350	2020	25000
25.4	BHA 1612		0.0335	25.4	33.338	19.05	1970	3030	15000
28.575	BHA 1816ZOH		0.06	28.575	38.1	25.4	3050	4950	13000
31.75	BHA 2020ZOH		0.0815	31.75	41.275	31.75	4080	7100	12000

冲压外圈滚针轴承 (英制系列)

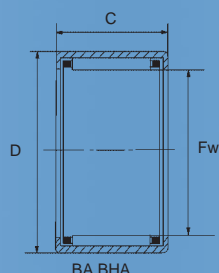
Drawn Cup Needle Roller Bearings (Inch series)



轴径 Shaft Diameter	轴承型号 Bearing Designation		重量 Mass 近似 Approx	外形尺寸 Boundary Dimensions			额定负荷 Basic Load Rating		极限转速 Limiting Speed
	现型号 Current Code	原型号 Original Code		Fw	D	C	动 Dynamic	静 Static	油润滑 Oil
				mm			N		rpm
6.35	BA 44ZOH		2.1	6.35	11.112	6.35	150	110	55000
	BA 47ZOH		3.5	6.35	11.112	11.13	270	240	55000
7.938	BA 55ZOH		3	7.938	12.7	7.92	190	160	45000
	BA 57ZOH		4.3	7.938	12.7	11.13	340	330	45000
9.525	BA 66		4.2	9.525	14.288	9.525	320	310	40000
	BA 66ZOH		4.2	9.525	14.288	9.52	320	310	40000
	BA 68		5.7	9.525	14.288	12.7	430	470	40000
	BA 610Z		7	9.525	14.288	15.88	580	680	40000
12.7	BA 88ZOH		7.2	12.7	17.462	12.7	480	580	30000
	BA 810		8.9	12.7	17.462	15.88	650	850	30000
	BA 810ZOH		8.9	12.7	17.462	15.88	650	850	30000
	BA 812ZOH		10.6	12.7	17.462	19.05	800	1120	30000
14.288	BA 910ZOH		9.9	14.288	19.05	15.88	720	1010	30000
15.875	BA 105Z		5.3	15.875	20.638	7.94	290	330	25000
	BA 107ZOH		7.6	15.875	20.638	11.11	510	680	25000
	BA 108ZOH		8.7	15.875	20.638	12.7	550	740	25000
	BA 1010ZOH		10.8	15.875	20.638	15.88	750	1100	25000
	BA 1012Z		12.9	15.875	20.638	19.05	920	1430	25000
17.462	BA 118ZX		9.5	17.462	22.225	12.7	630	900	25000
19.05	BA 126ZOH		10	19.05	25.4	9.52	510	600	20000
	BA 128		13.5	19.05	25.4	12.7	700	890	20000
	BA128ZOH		13.5	19.05	25.4	12.7	700	890	20000
	BA 1210		17	19.05	25.4	15.88	970	1350	20000
	BA 1210ZOH		17	19.05	25.4	15.88	970	1350	20000
	BA 1212ZOH		20.5	19.05	25.4	19.05	1220	1800	20000
22.225	BA 146ZOH		11.5	22.225	28.575	9.52	550	690	18000
	BA 148ZOH		15.6	22.225	28.575	12.7	760	1080	18000
	BA 1412ZOH		23.5	22.225	28.575	19.05	1310	2080	18000
	BA 1416ZOH		31	22.225	28.575	25.4	1790	3110	18000
25.4	BA 1612		26.5	25.4	31.75	19.05	1450	2470	15000
	BA 1612ZOH		26.5	25.4	31.75	19.05	1450	2470	15000
	BA 1616		35.5	25.4	31.75	25.4	1980	3700	15000
	BA 1616ZOH		35.5	25.4	31.75	25.4	1980	3700	15000
28.575	BA 188		19.5	28.575	34.925	12.7	880	1360	13000
	BA 1816Z		39	28.575	34.925	25.4	2090	4110	13000
	BA 1816		39	28.575	34.925	25.4	2090	4110	13000
30.162	BA 1916ZOH		52	30.162	38.1	25.4	2630	4620	12000
31.75	BA 2012		32.5	31.75	38.1	19.05	1600	3020	12000
	BA 2012ZOH		32.5	31.75	38.1	19.05	1600	3020	12000

冲压外圈滚针轴承 (英制系列)

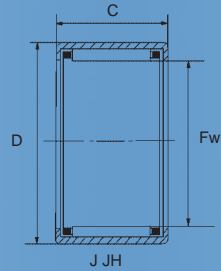
Drawn Cup Needle Roller Bearings (Inch series)



轴径 Shaft Diameter	轴承型号 Bearing Designation		重量 Mass 近似 Approx	外形尺寸 Boundary Dimensions			额定负荷 Basic Load Rating		极限转速 Limiting Speed
	现型号 Current Code	原型号 Original Code		Fw	D	C	动 Dynamic	静 Static	油润滑 Oil
mm			g	mm			N		rpm
31.75	BA 2016ZOH		43	31.75	38.1	25.4	2190	4520	12000
	BA 2020		53.5	31.75	38.1	31.75	2750	6040	12000
	BA 2020ZOH		53.5	31.75	38.1	31.75	2750	6040	12000
34.525	BA 2216ZOH		47.5	34.925	41.275	25.4	2350	5120	10000
38.1	BA 2420		97.5	38.1	47.625	31.75	3980	7570	9000
	BA 2420ZOH		97.5	38.1	47.625	31.75	3980	7570	9000
41.275	BA 2610		52	41.275	50.8	15.88	1930	3060	8000
	BA 2620ZOH		105	41.275	50.8	31.75	4220	8370	8000
44.45	BA 2812ZOH		67.5	44.45	53.975	19.05	2570	4540	7500
	BA 2816ZOH		91	44.45	53.975	25.4	3540	6870	7500
50.8	BA 3216ZOH		104	50.8	60.325	25.4	3780	7800	6000
BAM 系列									
9.525	BAM 66K			9.525	14.288	10.5			
	BAM 66		4.6	9.525	14.2875	9.525	320	310	40000
12.7	BAM 812		11.3	12.7	17.462	19.05	800	1120	30000

冲压外圈滚针轴承 (英制系列)

Drawn Cup Needle Roller Bearings (Inch series)



轴径 Shaft Diameter	轴承型号 Bearing Designation		重量 Mass 近似 Approx	外形尺寸 Boundary Dimensions			额定负荷 Basic Load Rating		极限转速 Limiting Speed	
	现型号 Current Code	原型号 Original Code		Fw	D	C	动 Dynamic	静 Static	脂润滑 Oil	油润滑 Oil
mm			g	mm			N			rpm
4.76	J-35			4.76	8.73	9.525	257	352		75000
6.35	J-45			6.35	11.11	7.92	290	331		57000
	J-47			6.35	11.11	11.13	473	617		57000
7.94	J-55			7.94	12.7	7.92	315	383		44000
	J-57			7.94	12.7	11.13	560	805		44000
	JH-57			7.94	14.29	11.13	696	849		47000
9.525	J-65			9.525	14.29	7.92	358	474		36000
	J-66			9.525	14.29	9.52	500	728		36000
	J-68			9.525	14.29	12.7	755	1240		36000
	JH-68			9.525	15.88	12.7	987	1370		38000
11.11	J-78			11.11	15.88	12.7	882	1580		30000
	JH-78			11.11	17.46	12.7	1060	1510		30000
12.548	J-88K			12.548	17.463	12.7	914	1710		26000
14.288	J-910			14.288	19.05	15.88	1190	2490		23000
	J-108			15.88	20.64	12.7	970	1970		21000
15.88	JH-1010			15.88	22.225	15.88	1280	2930		21000
17.462	JH-1112			17.462	23.812	19.05	1830	4610		19000
19.05	J-1212			19.05	25.4	19.05	2320	4880		18000
22.225	J-148			22.225	28.58	12.7	1640	3270		15000
	JH-1412			22.225	30.16	19.05	2710	5450		15000
	JH-14160H			22.225	30.162	25.4	2710	5450		15000
25.4	JH-1616			25.4	33.34	25.4	4090	9570		13000
28.58	JH-1818			28.58	38.1	28.58	5440	12500		12000
35.61	JH-1470			35.61	57.2	17.8	5680	13500		10000
41.275	J-2616			41.275	50.8	25.4	5890	15600		7900
50.8	J-3216			50.8	60.32	25.4	6350	18400		6300

常州亚派轴承有限公司 0519-88995562

这种轴承有延伸至外圈滚道面全宽的满滚针组成，因此，它可以承受高负荷，并且非常适用摇摆动作的低速及中速情况下。因为润滑在出厂前已经预装在轴承内，所以一旦装配完成即可使用。F、FH 穿孔型冲压外圈满针尖头滚针轴承，MF、MFH 封口型冲压外圈满针尖头滚针轴承，FY 穿孔型冲压外圈满针平头滚针轴承，MFY 封口型冲压外圈满针平头滚针轴承。

冲压外圈满装滚针轴承

Drawn Cup Full Complement Needle Roller Bearing

YPB[®]

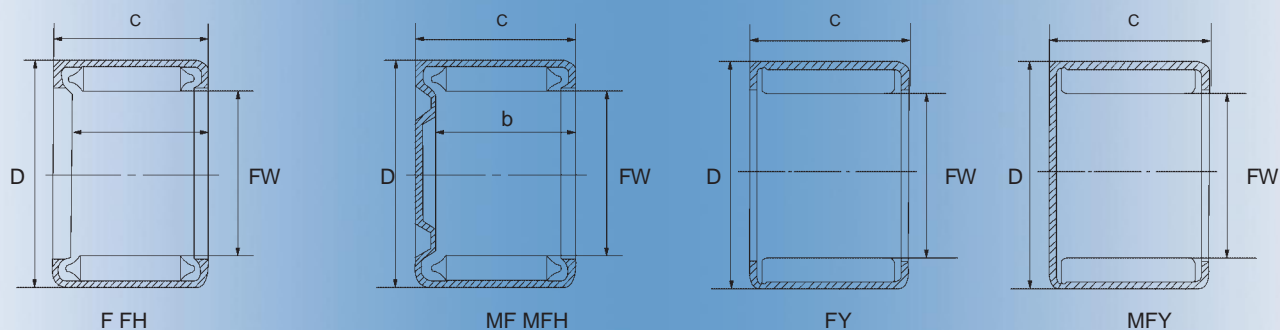


This kind bearing consists of full of needles extending to outer raceway, thus bearing high load. It is applied to the situation where the devices mounted with needle roller bearings run in swinging operation with low and middle speed. Since the bearings are fed with lubricating grease when are delivered, it is unnecessary to add the lubricating grease in assembling.

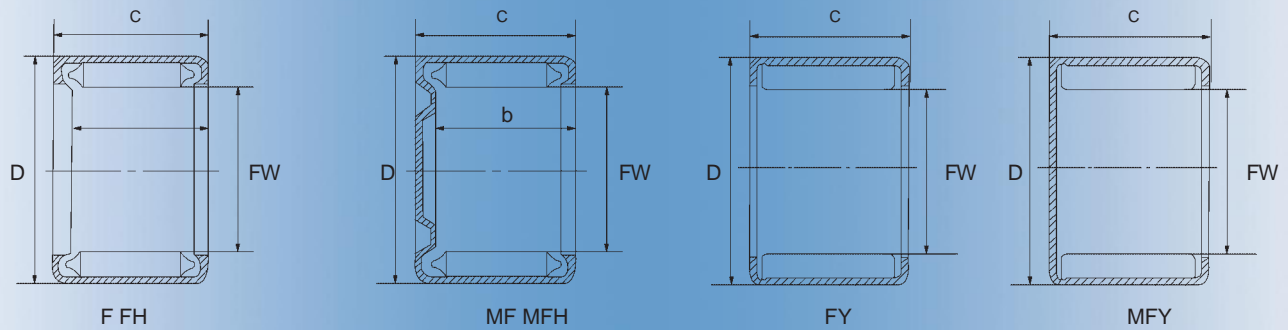
Model F, FH open-end drawn cup needle roller bearing with full of needles,
Model MF, MFH hole-sealed drawn cup needle roller bearing with full of needles,
Model FY open-end drawn cup needle roller bearing with full of flat-head needles,
Model MFY close-end drawn cup needle roller bearing with full of flat-head needles

冲压外圈满装滚针轴承

Drawn Cup Full Complement Needle Roller Bearings



轴径 Shaft Diameter	轴径型号 Bearing Designation		重量 Mass 近似 Approx	外形尺寸 Boundary Dimensions			基本额定负荷 Basic Load Rating		极限转速 Limiting Speed
	现型号 Current Code	原型号 Original Code		Fw	D	C	动 Dynamic	静 Static	油润滑 Oil
				mm			N		rpm
6	F-0608	30941/6	2.5	6	10	8	3080	5800	12000
6.35	F6.35X11.11X11.13	B-47	3.2	6.35	11.11	11.13	3500	6050	12000
	MF6.35X11.11X11.13	M-471	4.1	6.35	11.11	11.13	3500	6050	12000
8	F-0810	50941/8	3.7	8	12	10	4050	7150	13000
	FH-0810	941/8	7	8	14	10	5200	7150	7400
	FH-0812	942/8	9	8	14	12	4550	7150	7400
9	F-0910	50941/9	4	9	13	10	4900	8050	12000
	F-091510	941/9	6	9	15	10	8000	11500	7100
	F-091513	942/9	8	9	15	13	8560	12800	7100
9.52	F-9.52X14.29X12.7	B-68	7.5	9.52	14.29	12.70	9000	13300	7100
10	F-1010	50941/10	4.2	10	14	10	5700	9350	11000
	FH-1010	941/10	6.5	10	16	10	6350	10800	11000
	F-101615	942/10	12	10	16	15	6890	11500	7100
		943/10		10	16	17	6500	11000	7000
12	F-1212	60941/12	6	12	16	12	6380	10900	7100
	F-121712	941/12	8	12	17	12	8400	11900	7100
	F-121715	942/12	10.5	12	17	15	9000	12500	7100
	F-121718	943/12	13	12	17	18	9800	13500	7100
15	F-15X20X12	941/15	10	15	20	12	8400	11900	7100
	F-15X20X16	942/15	13.6	15	20	16	9500	12800	7100
	F-15X20X20	943/15	17.2	15	20	20	10500	16000	7100
	F-15X20X20	Y152020	20	15	20	20	10500	16000	7100
	F-1512	30941/15	12	15	21	12	9700	15900	8100
16	F-1616	50941/16	17	16	22	16	14100	25900	7700
17	F-1712	30941/17	13	17	23	12	10600	21600	7300
	F-1714	941/17	15	17	23	14	12500	22500	7300
	F-1718	942/17	21	17	23	18	13800	24800	7300
	F-1722	943/17		17	23	22	13500	24000	7100
18	F-1816	50941/18	18	18	24	16	15000	29100	6900
20	F-2014	941/20	17	20	26	14	15800	40500	6900
	F-2020	942/20	26	20	26	20	18800	42500	6900
	F-20X26X25	943/20	33	20	26	25	20500	35500	6300
22	F-2212	30941/22	14	22	28	12	9000	13300	5800
	F-2216	50941/22	22	22	28	16	17000	33000	5800
	F-2220	70941/22	29	22	28	20	20300	47200	5800
25	F-2516	941/25	28	25	32	16	18700	37900	5100
	F-2522	942/25	40	25	32	22	11000	16500	5100
	F-25X32X25	943/25	43	25	32	25	11500	18500	5100
	F-25X33X08	Y253308	16.7	25	33	8	12200	16800	4300



轴径 Shaft Diameter	轴径型号 Bearing Designation		重量 Mass 近似 Approx	外形尺寸 Boundary Dimensions			基本额定负荷 Basic Load Rating		极限转速 Limiting Speed
	现型号 Current Code	原型号 Original Code		Fw	D	C	动 Dynamic	静 Static	油润滑 Oil
				mm			N		rpm
25	F-2512	20941/25	17	25	32	12	5250	6000	5100
	F-2520	60941/25	43	25	32	20	22800	46000	5100
28	F-2820	60941/28	118	28	35	20	25700	58300	4600
	F-2812	20941/28	31.7	28	35	12	16500	38600	4600
	F-2816	40941/28	36	28	35	16	20200	42900	4600
30	F-3020	60941/30	42	30	37	20	26800	62500	4300
	MF-3020	65941/30	48	30	37	20	26800	62500	4300
	F-30X38X16	941/30	37.5	30	38	16	25500	57500	4600
	F-30X38X24	942/30	37.5	30	38	24	28800	64500	4300
	F-30X38X32	943/30	81.5	30	38	32	34500	78900	4300
	F-3014	30941/30	37	30	37	14	19600	41200	4600
	F-3016	40941/30	40	30	37	16	21700	46500	4300
	F-3026		58.5	30	37	26	35000	74000	4300
32	F-32X39X32	943/32		32	39	32	35000	74000	4300
	F-3216	40941/32	35	32	39	16	25800	61500	4300
35	F-3520	60941/35	49	35	42	20	24000	69100	3700
	F-35X43X16	941/35	41	35	43	16	23500	68000	3700
	F-35X43X25	942/35	72	35	43	25	38700	86200	3200
	F-35X43X32	943/35	90	35	43	32	40500	98700	3200
	F-3512	20941/35	36	35	42	12	19000	59000	3700
40	F-4020	60941/40	56	40	47	20	30300	52600	3300
	FH-4032	942/40	88	40	50	32	42500	108000	2600
	MFH-4032	86942/40	95	40	50	32	42500	108000	2600
	FH-40X50X38	943/40	105	40	50	38	44800	118500	2600
	F-4016	40941/40	51	40	47	16	26500	62000	3300
45	F-4520		62	45	52	20	30400	30400	2900
	FH45X55X38	943/45	140	45	55	38	45800	45800	2900
	F-4516	40941/45	49	45	52	16	23800	65900	2900
50	F-5020	50941/50	78	50	58	20	35800	98000	2600
	FH-50X60X38	943/50	145	50	60	38	50500	145800	2600
55	F-5520	50941/55	97	55	63	20	39500	102000	2600
60	F-60X68X38	943/60	185	60	68	38	50200	145000	2600

密封的冲压外圈滚针轴承带有密封唇密封。在一般条件下，可保护轴承免于杂物侵入和防止润滑脂的泄漏。密封圈采用合成橡胶制成，使用温度为 -20°C — 120°C 。轴承供货时内部已注有高质量锂基脂。另外，冲压外圈滚针轴承以不带油孔为标准设计，双列冲压外圈滚针轴承以带油孔标准设计，如需改变请在订货时说明。

HK...2RS 穿孔型双面密封冲压外圈滚针轴承，HK...RS 穿孔型单面密封冲压外圈滚针轴承，BK...RS 封口型单面密封冲压外圈滚针轴承。

冲压外圈有密封圈滚针轴承

Drawn Cup Needle Roller Bearing With Seal Ring

YPB[®]



The sealed drawn cup needle roller bearing is mounted with sealing lip. In general, the sealing lip can protect bearing from penetration of impurities and leakage of lubricating grease. The seal ring is made of synthetic rubber with operating temperature in -20°C — 120°C . The bearings are fed with high-quality lithium base grease. In addition, it is standard design for drawn cup needle roller bearing without oil hole and double-row drawn cup needle roller bearing with oil hole. It should be stated in order if changed.

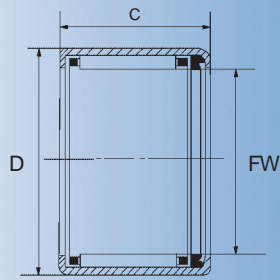
Model HK...2RS open-end double-seal drawn cup needle roller bearing,

Model HK...RS open-end single-seal drawn cup needle roller bearing,

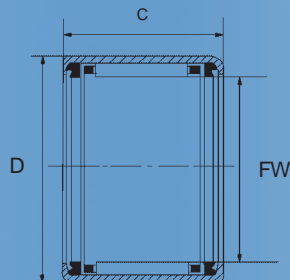
Model BK...RS close-end single seal drawn cup needle roller bearing

冲压外圈有密封滚针轴承

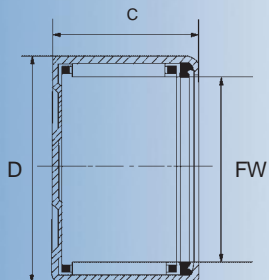
Drawn Cup Needle Roller Bearings With Seal Ring



HK...RS



HK...2RS

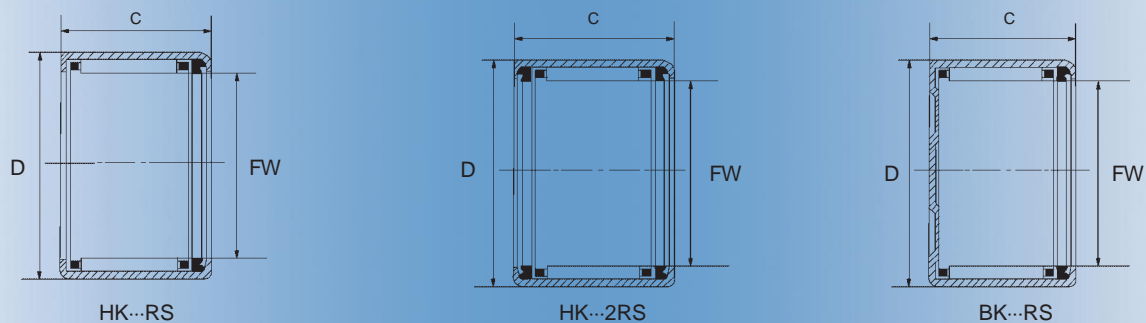


BK...RS

轴径 Shaft Diameter	轴承型号 Bearing Designation	重量 Mass 近似 Approx	外形尺寸 Boundary Dimensions			基本额定负荷 Basic Load Rating		极限转速 Limiting Speed
	现型号 Current Code		Fw	D	C	动 Dynamic	静 Static	油润滑 Oil
			mm			N		rpm
8	HK0810 RS	2.9	8	12	10	2250	2100	19000
	HK0812 2RS	3.5	8	12	12	2250	2100	19000
9	HK09X13X12 RS	4	9	13	12	3800	4300	19000
10	HK1012 RS	4.2	10	14	12	4100	5000	19000
	HK1014 2RS	5.2	10	14	14	4100	5000	15000
12	HK1214 RS	10.7	12	18	14	6100	7000	15000
	HK1216 2RS	11.5	12	18	16	6100	7000	12000
13	HK13X19X12 RS	8.9	13	19	12	6800	7580	12000
14	HK1414 RS	12	14	20	14	6100	7500	13000
	HK1416 2RS	14	14	20	16	6100	7500	11000
	BK1414 RS	14.1	14	20	14	6100	7500	11000
15	HK1514 RS	12.6	15	21	14	6800	8800	11000
	HK1516 2RS	14.3	15	21	16	6800	8800	10000
	BK1514 RS	14.4	15	21	14	6800	8800	10000
	HK1518 RS	16	15	21	18	9500	11400	10000
	HK1520 2RS	18	15	21	20	9500	11400	10000
16	HK1614 RS	15.1	16	22	14	7200	9200	10000
	HK1616 2RS	15.1	16	22	16	7200	9200	10000
	BK1614 RS	15.3	16	22	14	7200	9200	10000
	HK1620 2RS	16.8	16	22	20	9900	12300	10000
	HK1625 2RS		16	22	25	9900	12300	10000
17	HK17X25X14 RS	17.7	17	25	14	8000	9800	10000
	HK17X25X15.5 RS	20	17	25	15.5	9320	10400	13000
	HK17X25X18 RS	23.5	17	25	18	10500	12600	13000
	HK17X25X20 RS	26.2	17	25	20	11600	13200	13000
18	HK1814 RS	15.1	18	24	14	7800	9900	13000
	HK1816 2RS	17	18	24	16	7800	9900	9200
20	HK201 2RS	11.7	20	26	12	9500	11900	9200
	HK2016 2RS	18.8	20	26	16	8000	10100	9000
	HK2018 RS	21.4	20	26	18	12700	20100	8200
	HK2020 2RS	23.5	20	26	20	12700	20100	7800
	BK2018 RS	24.4	20	26	18	12700	20100	7800
	HK20X29X18 RS	28.8	20	29	18	8700	9980	7800
22	HK2212 RS	14	22	28	12	8310	10000	9000
	HK2214 RS	18.3	22	28	14	9000	12400	7800
	HK2216 2RS	20.3	22	28	16	9000	12400	7800
	HK2218 RS	23.5	22	28	18	10400	20100	7800
	HK2220 2RS	25.5	22	28	20	10400	20100	7800
25	HK2516 2RS	27.3	25	32	16	9800	13200	6900

冲压外圈有密封滚针轴承

Drawn Cup Needle Roller Bearings With Seal Ring



轴径 Shaft Diameter	轴承型号 Bearing Designation	重量 Mass 近似 Approx	外形尺寸 Boundary Dimensions			基本额定负荷 Basic Load Rating		极限转速 Limiting Speed
	现型号 Current Code		Fw	D	C	动 Dynamic	静 Static	油润滑 Oil
			mm			N		rpm
25	HK2518 RS	31	25	32	18	13600	20000	6900
	HK2520 2RS	33.1	25	32	20	13600	20000	6900
	BK2518 RS	35.3	25	32	18	13600	20000	6900
	HK2524 2RS	39.7	25	32	24	17900	30000	6900
	HK2530 2RS	47.3	25	32	30	24500	43000	6900
28	HK2820 2RS	36.9	28	35	20	11400	22500	5300
30	HK3016 2RS	28.5	30	37	16	10100	16200	5300
	HK3018 RS	36.6	30	37	18	16200	26000	5300
	HK3020 2RS	39.1	30	37	20	16200	26000	5300
	HK3024 2RS	49.7	30	37	24	21000	38500	5300
35	HK3516 2RS	36.4	35	42	16	10100	20300	4900
	HK3518 RS	37.4	35	42	18	16700	30500	4900
	HK3520 2RS	41.1	35	42	20	16700	30500	4900
40	HK4016 2RS	41.2	40	47	16	11000	21300	4200
	HK4018 RS	47.3	40	47	18	19000	30500	4200
	HK4020 2RS	50.2	40	47	20	19000	30500	4200
45	HK4518 RS	54.2	45	52	18	20300	41000	3800
	HK4520 2RS	57.4	45	52	20	20300	41000	3800
50	HK5022 RS	77.2	50	58	24	30000	61000	3200
	HK5024 2RS	84	50	58	24	30000	61000	3200

常州亚派轴承有限公司 0519-88995562

冲压外圈滚针离合器是采用优质钢板经精密冲制加工的薄壁冲压外圈，配合相应的塑料保持架、弹簧和滚针组成单向离合器，可以传递单向力矩。

冲压外圈滚针离合器本身不具备承载特性。可与HK和BK系列冲压外圈滚针轴承相同直径结合使用时可以解决。

冲压外圈滚针离合器组件是将既能承受径向负荷又能传递扭矩这两个特性合为一体的支承轴承。



冲压外圈滚针离合器 冲压外圈滚针离合器组件
Drawn Cup Needle Roller Clutch,
Drawn Cup Needle Roller Clutch Assembly

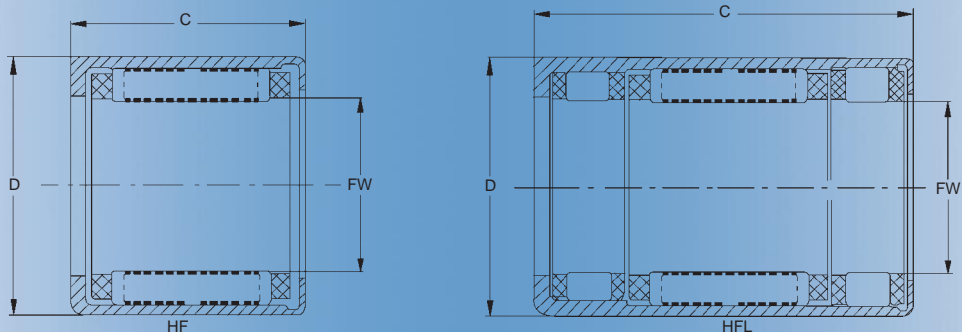
The drawn cup needle roller clutch is the overriding clutch (one-way clutch), composed of the outer ring punched with the high-quality steel sheet, plastic retainer, spring and needles, used for transferring one-way torque.

The drawn cup needle roller clutch has not the load carrying feature by itself. However it can play the action in combination with Model HK and BK drawn cup needle roller bearing.

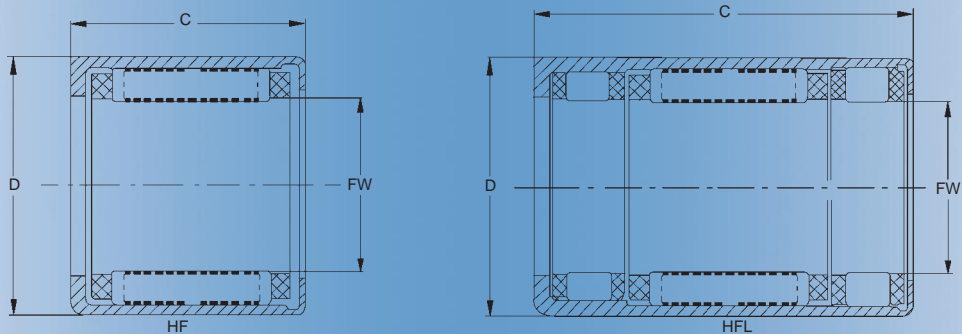
The drawn cup needle roller clutch is the block bearing either withstanding the radial load or transferring torque.

冲压外圈滚针离合器

Drawn Cup Needle Roller Bearings



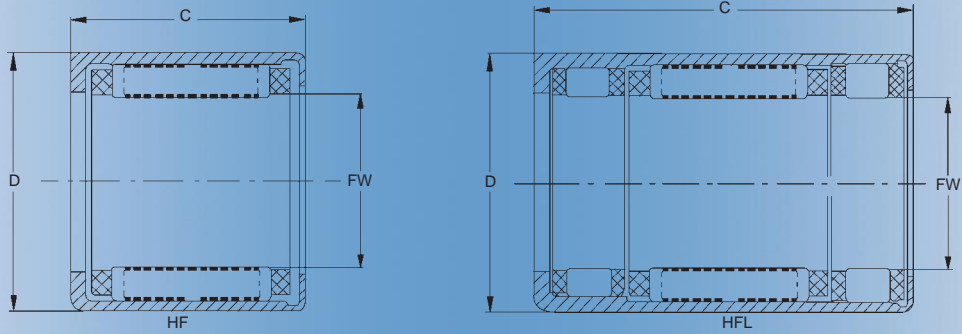
轴径 Shaft Diameter	轴承型号 Bearing Designation	参考 重量 Weight	外形尺寸 Boundary Dimensions			基本额定负荷 Basic Load Rating		极限转速 Limiting Speed		传递 扭矩 Transmission torque N.m
			Fw	D	C	动 Dynamic	静 Static	脂润滑 Grease	油润滑 Oil	
mm		g	mm			N		Rpm		
4	HF0406	1	4	8	6			34000	14000	0.34
6	HF0612	3	6	10	12			23000	13000	1.76
8	HF0812	3.5	8	12	12			17000	12000	3.15
10	HF1012	4	10	14	12			14000	11000	5.3
12	HF1216	11.6	12	18	16			11000	8000	12.2
14	HF1416	13	14	20	16			9500	8000	17.3
16	HF1616	14	16	22	16			8500	7500	20.5
18	HF1816	15.5	18	24	16			7500	7500	24.1
20	HF2016	17	20	26	16			7000	6500	28.1
25	HF2520	30.9	25	32	20			5500	5500	66
30	HF3020	36	30	37	20			4500	4500	90
35	HF3520	40	35	42	20			3900	3900	121
4	HFL0408	1.6	4	8	8			34000	14000	0.34
6	HFL0615	4	6	10	15	4050	4650	23000	13000	1.76
8	HFL0822	6.3	8	12	22	4300	4650	17000	12000	3.15
10	HFL1022	7.4	10	14	22	6300	6500	14000	11000	5.3
12	HFL1226	18	12	18	26	7100	7700	11000	8000	12.2
14	HFL1426	20.3	14	20	26	7300	8400	9500	8000	17.3
16	HFL1626	22	16	22	26	8300	10300	8500	7500	17.3
18	HFL1826	24.4	18	24	26	8200	10400	7500	7500	20.5
20	HFL2026	27	20	26	26	10900	14100	7000	6500	28.5
25	HFL2530	44	25	32	30	12600	17600	5500	5500	66
30	HFL3030	51	30	37	30	13000	19300	4500	4500	90
35	HFL3530	58	35	42	30			3900	3900	121



轴承型号 Bearing Designation		重量 Mass 近似 Approx	外形尺寸 Boundary Dimensions						极限转速 Limiting Speed	传递扭矩 Transmission torque
			Fw		D		C			
			inch	mm	inch	mm	inch	mm		
—	R2-02	2	1/8	3.18	9/32	7.14	0.250	6.35	50000	2.86
—	FC-4	1	0.16	4	0.31	8	0.236	6	50000	2.78
FCS-6	—	3.5	0.24	6	0.39	10	0.472	12	39300	18.6
—	RC-040708	3.5	1/4	6.35	7/16	11.11	0.500	12.70	38000	17.2
FCL-8-K	—	4.7	0.31	8	0.47	12	0.472	12	28700	28.7
FC-8	—	4	0.31	8	0.55	14	0.472	12	30500	35.8
RC-061008-FS*	RC-061008	4.7	3/8	9.52	5/8	15.88	0.500	12.70	25300	45.4
FCL-10-K	—	4	0.39	10	0.55	14	0.472	12	22700	39.1
FC-10	—	4.8	0.39	10	0.63	16	0.472	12	23700	50.4
FC-12	—	11	0.47	12	0.71	18	0.630	16	19300	118
RC-081208-FS*	RC-081208	9.2	1/2	12.70	3/4	19.05	0.500	12.70	18700	73.6
RC-101410-FS*	RC-101410	14.5	5/8	15.88	7/8	22.22	0.625	15.88	14700	143
FC-16	—	14	0.63	16	0.87	22	0.630	16	14000	182
RS-121610-FS*	—	17	3/4	19.05	1	25.40	0.625	15.88	11300	196
FC-20	RC-162110	17	0.79	20	1.02	26	0.630	16	10700	274
FC-25	—	30	0.98	25	1.26	32	0.787	20	8570	605
RC-162110-FS*	—	25.4	1	25.40	1 5/16	33.34	0.625	15.88	8670	412
FC-30	—	36	1.18	30	1.46	37	0.787	20	7330	845
FCS-35	—	40	1.38	35	1.65	42	0.787	20	6130	913

冲压外圈滚针离合器 (英制系列)

Drawn Cup Needle Roller Bearings (Inch series)



轴承型号 Bearing Designation		重量 Mass 近似 Approx	外形尺寸 Boundary Dimensions						基本额定负荷 Basic Load Ratig(N)		极限转速 Limiting Speed	传递扭矩 Transmis- sion torque
			Fw		D		C		动 Dynamic	静 Static		
			Inch	mm	Inch	mm	Inch	mm				
FCBL-8-K	—		0.31	8	0.47	12	0.866	22	532		28700	29.0
FCB-8	—	10	0.31	8	0.55	14	0.787	20	541		30500	35.8
RCB-061014-FS*	RCB-061014	12	$\frac{3}{8}$	9.52	$\frac{5}{8}$	15.88	0.875	22.22	848		25300	45.4
FCB-10	—	15	0.39	10	0.63	16	0.787	20	628		23700	50.4
FCB-12	—	18	0.47	12	0.71	18	1.024	26	882		19300	118
RCB-081214-FS*	RCB-081214	16	$\frac{1}{2}$	12.7	$\frac{3}{4}$	19.05	0.875	22.22	1020		18700	73.6
RCB-101416-FS*	RCB-101416	21.3	$\frac{5}{8}$	15.88	$\frac{7}{8}$	22.22	1.000	25.40	1140		14700	143
FCB-16	—	22	0.63	16	0.87	22	1.024	26	951		14000	182
RCB-121616-FS*	RCB-11616	26.5	$\frac{3}{4}$	19.05	1	25.40	1.000	25.4	1270		11300	196
FCB-20	—	27	0.79	20	1.02	26	1.024	26	1180		10700	274
FCB-25	—	44	0.99	25	1.26	32	1.181	30	1580		8670	605
RCB-162117-FS*	RCB-162117	44.8	1	25.40	$\frac{15}{16}$	33.34	1.063	27	2240		8670	412
FCB-30	—	51	1.18	30	1.46	37	1.181	30	1620		7300	845

常州亚派轴承有限公司 0519-88995562

滚针和保持架组件为一独立的轴承元件，其中每个滚针由保持架精确地引导和保持。它实现了最小的结构空间下具有高负荷能力和高刚性的轴承设计。保持架的两引导面间距宽广，保证了滚针和保持架组件的精确引导。

滚针和保持架组件适用于轴和座孔可作为滚道之处。在具有高尺寸精度、几何精度的轴和座孔滚道下，可得到最高旋转精度。

轴部位的工作间隙取决于内外滚道的公差、滚针组差和工作温度。

向心滚针和保持架组件

Radial Needle Roller and Cage Assemblies



The needle roller and cage assembly is an independent bearing element. The each of needle roller is guided and caged accurately by the cage. It has the highest load carrying capacity and the high rigid design in the smallest structure and space. The wide distance between two guiding surfaces of cage ensures the accurate guide of needle roller and cage assembly.

Needle roller and cage assembly is suitable for the place where the shaft and housing bore are acted as the raceway. Under the geographic accuracy shaft and housing bore raceway, the highest rotation precision can be obtained.

The working clearance in bearing location is dependent on the tolerance of inner and outer raceways, needle roller difference and working temperature.

向心滚针和保持架组件K、K...D型，该种轴承只有一组向心滚针和保持架组件，外径尺寸小，适用于径向尺寸特别受限制的部件中，用来承受径向负荷。K...ZW、K...ZWD型为双列向心滚针和保持架组件。

该种轴承由于无套圈，与其相配的轴颈表面和外壳孔表面直接作为滚动面要求其表面硬度HRC60、表面粗糙度Ra值不大于 $0.63\ \mu\text{m}$ 。

为满足主机要求，该种轴承可加工成剖分式，便于装拆。K...D表示剖分式、单列，K...ZWD表示剖分式、双列。

K 单列向心滚针和保持架组件

K...ZW 双列向心滚针和保持架组件

K...D 剖分式单列向心滚针和保持架组件

K...ZWD 剖分式双列向心滚针和保持架组件

向心滚针和保持架组件

Radial Needle Roller and Cage Assemblies

YPB[®]



As for Model K, K...D radial needle and retainer assembly, this kind of bearing only has a group of radial needle and retainer assembly. With small outside diameter size, it is suitable for the parts, where the radial sizes are specially limited, used for bearing the radial load. Model K...ZW, K...ZWD radial needle and retainer assembly is the double row radial needle and retainer assembly.

As for this kind of bearing, since it has not collar, the surface of journal and the surface of hole at the housing are directly acted as rolling surface with surface hardness HRC 60 and surface roughness Ra no more than $0.63\ \mu\text{m}$.

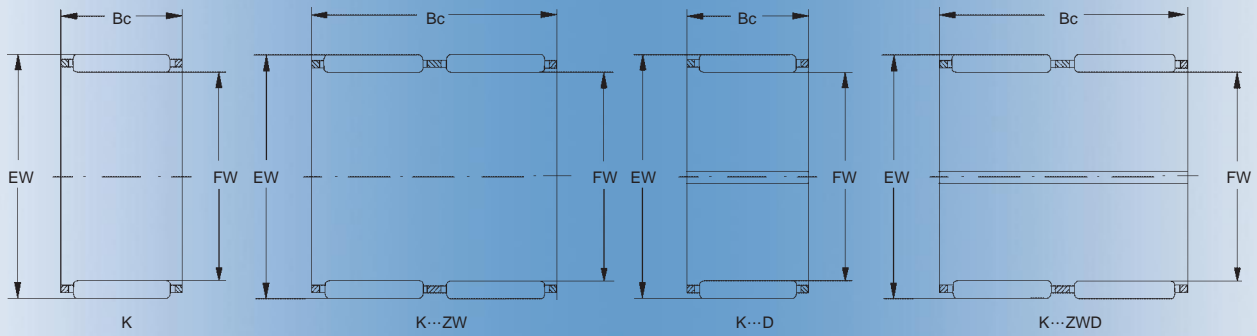
In order to satisfy the requirement of main machine, this kind of bearing can be made in split bearing, convenient for mounting. Model K... D represents as the single row split bearing and Model K...ZWD represents as double row split bearing.

(1-1) K single-row radial needle roller and cage assembly

(1-2) K...ZW double-row radial needle roller and cage assembly

(1-3) K... D partial single-row radial needle roller and cage assembly

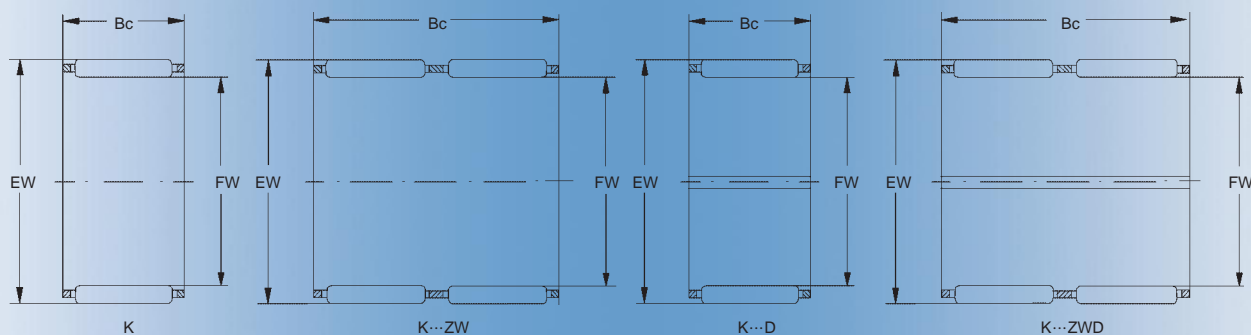
(1-4) K...ZWD double-row radial needle roller and cage assembly



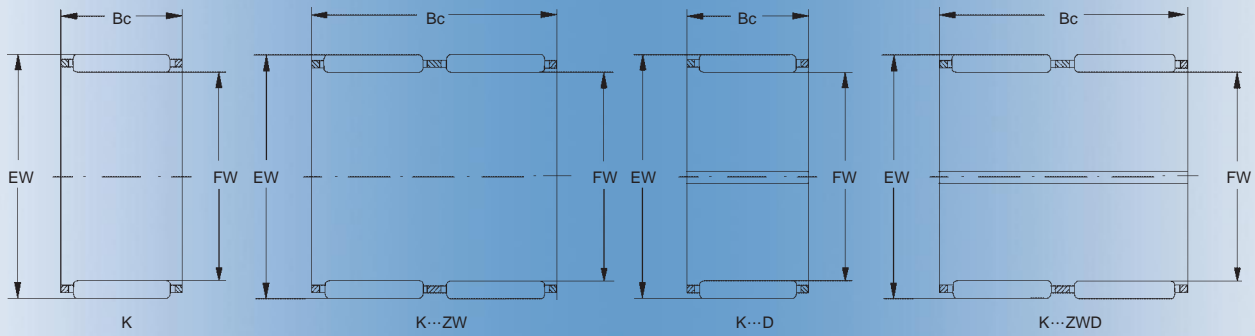
轴径 Shaft Diameter	轴承型号 Bearing Designation		重量 Mass 近似 Approx	外形尺寸 Boundary Dimensions			基本额定负荷 Basic Load Rating		极限转速 Limiting Speed
	现型号 Current Code	原型号 Original Code		Fw	Ew	Bc	动 Dynamic	静 Static	油润滑 Oil
				mm			N		rpm
3	K3 × 5 × 7TN		0.3	3	5	7	1.54	1.29	50000
	K3 × 5 × 9TN		0.4	3	5	9	1.71	1.48	
	K3 × 6 × 7TN		0.4	3	6	7	1.43	0.97	47000
4	K4 × 7 × 7TN		0.5	4	7	7	2.33	1.84	43000
	K4 × 7 × 10TN		0.7	4	7	10	2.35	1.92	39000
5	K5 × 8 × 8TN	29241/5	0.7	5	8	8	2300	1880	37000
	K5 × 8 × 10TN	39241/5	0.9	5	8	10	2800	2450	37000
6	K6 × 9 × 8TN	29241/6	0.8	6	9	8	25600	2240	35000
	K6 × 9 × 10TN	39241/6	1	6	9	10	3300	3100	35000
	K6 × 10 × 13TN	19241/6	1.3	6	10	13	3500	2800	33000
7	K7 × 10 × 8TN	29241/7	0.9	7	10	8	2750	2550	32000
	K7 × 10 × 10TN	39241/7	1.1	7	10	10	3350	3400	32000
8	K8 × 11 × 8TN	29241/8	1.1	8	11	8	3000	2900	30000
	K8 × 11 × 10TN	39241/8	1.7	8	11	10	3830	3950	30000
	K8 × 11 × 13TN	49241/8	1.8	8	11	13	5000	5700	30000
	K8 × 12 × 10TN	29242/8	1.3	8	12	10	4900	4600	30000
9	K9 × 12 × 10TN	39241/9	1.5	9	12	10	4200	4700	30000
	K9 × 12 × 13TN	19241/9	1.9	9	12	13	5500	6700	30000
10	K10 × 13 × 10TN	39241/10	1.6	10	13	10	4500	5250	27000
	K10 × 13 × 13TN	39241/10	2.1	10	13	13	6000	7600	27000
	K10 × 13 × 16TN		2.2	10	13	16	6300	7800	27000
	K10 × 14 × 10TN	29242/10	2.9	10	14	10	7000	7900	27000
	K10 × 14 × 13TN	3922/10	4.3	10	14	13	8000	9100	26000
	K10 × 16 × 12TN	19244/10	3.7	10	16	12	7000	9300	27000
12	K12 × 15 × 9TN		2.7	12	15	9	4120	5210	25000
	K12 × 15 × 10TN	39241/12	1.9	12	15	10	4320	5730	25000
	K12 × 15 × 13TN	49241/12	2.4	12	15	13	6000	8100	25000
	K12 × 16 × 8TN	19242/12	2.9	12	16	8	1200	4700	25000
	K12 × 16 × 10TN	29242/12	3.4	12	16	10	6000	6900	25000
	K12 × 16 × 13TN	39242/12	3.8	12	16	13	7900	9200	25000
	K12 × 17 × 13TN	59242/12	4.4	12	17	13	9300	10000	24000
	K12 × 18 × 12TN	19244/12	5	12	18	12	9800	8000	24000
	K12 × 15 × 20TN	K12 × 15 × 20TN	3.8	12	15	20	8200	12000	25000
14	K14 × 17 × 10		4	14	17	10	5100	6800	23000
	K14 × 17 × 17		6.8	14	17	17	9300	14000	23000
	K14 × 18 × 10	29242/14	4.8	14	18	10	6800	8300	23000
	K14 × 18 × 13	39242/14	6.3	14	18	13	8100	9800	23000
	K14 × 18 × 14		6.8	14	18	14	9200	12000	23000
	K14 × 18 × 15	49242/14	7.3	14	18	15	10000	13000	23000

向心滚针和保持架组件

Radial Needle Roller and Cage Assemblies



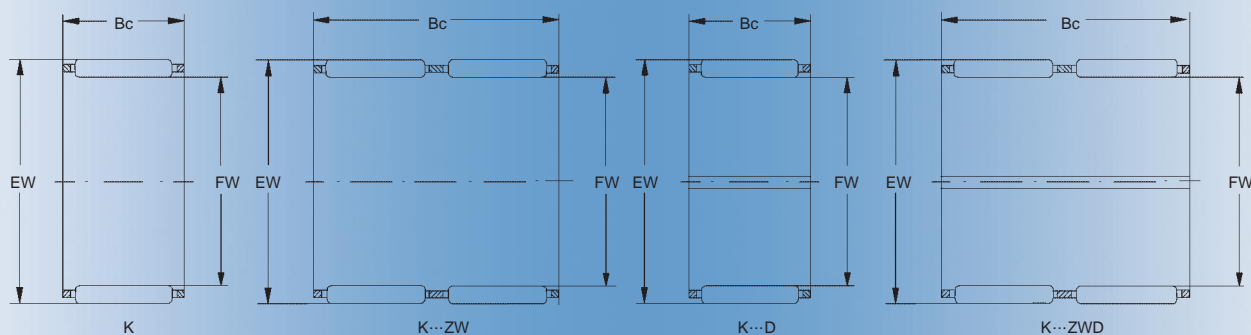
轴径 Shaft Diameter	轴承型号 Bearing Designation		重量 Mass 近似 Approx	外形尺寸 Boundary Dimensions			基本额定负荷 Basic Load Rating		极限转速 Limiting Speed
	现型号 Current Code	原型号 Original Code		Fw	Ew	Bc	动 Dynamic	静 Static	油 润 滑 Oil
				mm			N		rpm
14	K14 × 18 × 17	59242/14	8.1	14	18	17	10500	13900	23000
	K14 × 20 × 12	19243/14	8.6	14	20	12	9900	10500	22000
15	K15 × 18 × 14		5.3	15	18	14	7500	11000	23000
	K15 × 18 × 17		6.4	15	18	17	9600	15900	23000
	K15 × 19 × 10	29242/15	5.1	15	19	10	7200	9000	22000
	K15 × 19 × 13	39241/15	7	15	19	13	8300	9800	22000
	K15 × 19 × 17	59241/15	8.8	15	19	17	10300	15000	22000
	K15 × 19 × 24 ZW	79241/15	10.5	15	19	24	12800	20100	22000
	K15 × 22 × 13	29242/15	8.9	15	22	13	9700	11000	22000
	K15 × 22 × 12	19243/15	10	15	22	12	10000	13000	22000
	K15 × 21 × 15	39242/15	13	15	21	15	13800	16000	22000
	K15 × 21 × 21		18.2	15	21	21	18000	24000	22000
16	K16 × 20 × 10	29241/16	5.7	16	20	10	7600	9700	22000
	K16 × 20 × 13	39241/16	7.1	16	20	13	8700	11300	22000
	K16 × 20 × 17	59241/16	9.2	16	20	17	11200	16300	22000
	K16 × 21 × 10	19242/16	3.7	16	21	10	9000	12000	22000
	K16 × 22 × 12	19243/16	10.4	16	22	12	11000	12000	21000
	K16 × 22 × 13		11.9	16	22	13	12000	13400	21000
	K16 × 22 × 16		13.7	16	22	16	14300	17000	21000
	K16 × 22 × 20	49243/16	16.7	16	22	20	18000	22300	21000
	K16 × 23 × 14	19244/16	20	16	23	14	19000	21000	19000
17	K17 × 21 × 10	29241/17	5.6	17	21	10	7900	10100	21000
	K17 × 21 × 13	39241/17	7.5	17	21	13	10000	14100	21000
	K17 × 21 × 17	59241/17	9.5	17	21	17	12000	17400	21000
	K17 × 23 × 14	29243/17	11.5	17	23	14	11000	15000	21000
18	K18 × 22 × 10	29241/18	6.1	18	22	10	8200	9900	20000
	K18 × 22 × 13	39241/18	7.7	18	22	13	9000	12100	20000
	K18 × 22 × 17	59241/18	10.8	18	22	17	11900	17600	20000
	K18 × 24 × 12	19243/18	11.6	18	24	12	11200	12900	20000
	K18 × 24 × 13		12.6	18	24	13	12900	14900	20000
	K18 × 24 × 13.5		13	18	24	13.5	12900	14900	20000
	K18 × 24 × 20	49243/18	19	18	24	20	20000	26500	20000
	K18 × 25 × 14		14.9	18	25	14	16500	18800	20000
	K18 × 25 × 22		24.3	18	25	22	22900	28400	20000
	K18 × 26 × 14		19	18	26	14	18000	20000	18000
19	K19 × 23 × 13		8.2	19	23	13	9300	13000	20000
	K19 × 23 × 17		11.1	19	23	17	12000	18600	20000



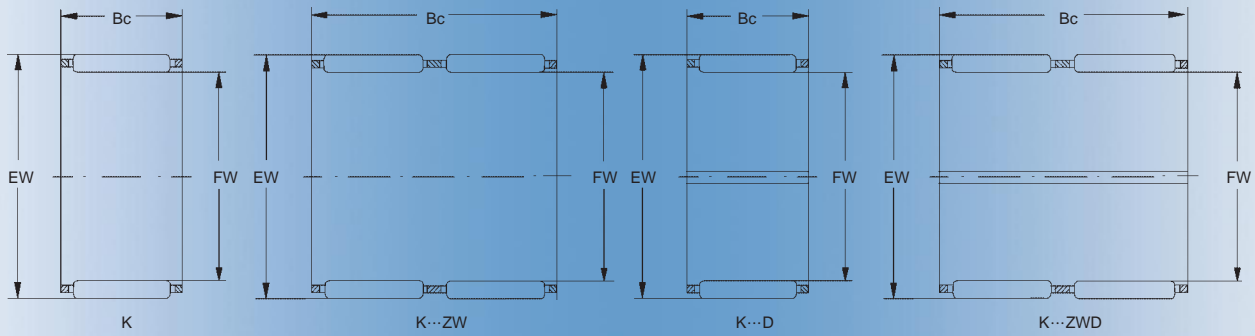
轴径 Shaft Diameter	轴承型号 Bearing Designation		重量 Mass 近似 Approx	外形尺寸 Boundary Dimensions			基本额定负荷 Basic Load Rating		极限转速 Limiting Speed
	现型号 Current Code	原型号 Original Code		Fw	Ew	Bc	动 Dynamic	静 Static	油润滑 Oil
				mm			N		rpm
20	K20 × 24 × 10	29241/20	6.5	20	24	10	8700	12100	19000
	K20 × 24 × 12		8	20	24	12	9600	13800	19000
	K20 × 24 × 13	39241/20	8.9	20	24	13	9600	13800	19000
	K20 × 24 × 17	59241/20	11.2	20	24	17	12400	20000	19000
	K20 × 26 × 12	19243/20	13.2	20	26	12	13100	15700	19000
	K20 × 26 × 16	K9249/20	17.5	20	26	16	18000	25000	18500
	K20 × 26 × 17	39243/20	18.2	20	26	17	18700	25500	19000
	K20 × 26 × 20	49243/20	22	20	26	20	20600	28500	19000
	K20 × 28 × 20	19245/20	26.8	20	28	20	23400	28000	18000
	K20 × 28 × 25	29245/20	36.2	20	28	25	30000	28500	18000
21	K21 × 25 × 13		9	21	25	13	9600	14500	19000
	K21 × 25 × 17		12	21	25	17	12800	21000	19000
22	K22 × 26 × 10	29241/22	7.1	22	26	10	8700	12900	18000
	K22 × 26 × 13	39241/22	9.4	22	26	13	10000	15400	18000
	K22 × 26 × 17	59241/22	12.1	22	26	17	13100	22100	18000
	K22 × 27 × 13	29242/22	10.8	22	27	13	14000	23000	18000
	K22 × 28 × 17	39243/22	19.7	22	28	17	19000	26500	18000
	K22 × 28 × 23	59243/22	26	22	28	23	20000	27000	19000
	K22 × 29 × 16	19244/22	22.2	22	29	16	19500	25000	17000
	K22 × 30 × 15 TN		14.4	22	30	15	19600	22900	17000
	K22 × 30 × 20	19245/22	28	22	30	20	21000	23500	18900
23	K23 × 32 × 24		43.4	22	32	24	33500	39500	16000
23	K23 × 35 × 16 TN		30	23	35	16	24000	23400	15000
24	K24 × 28 × 10		8.1	24	28	10	9400	14300	17000
	K24 × 28 × 13		10.1	24	28	13	10500	17000	17000
	K24 × 28 × 17	9243/24	13.2	24	28	17	14000	24500	17000
	K24 × 29 × 13		13.5	24	29	13	13100	19100	16000
	K24 × 30 × 17		21.5	24	30	17	19000	27000	16000
	K24 × 30 × 31		39.1	24	30	31	27000	43000	16000
25	K25 × 29 × 10	29241/25	8.3	25	29	10	9700	14900	16000
	K25 × 29 × 13	39241/25	10.4	25	29	13	10800	17900	16000
	K25 × 29 × 17	59241/25	13.7	25	29	17	14500	25500	16000
	K25 × 30 × 13	29242/25	12.9	25	30	13	14100	21300	16000
	K25 × 30 × 20	59242/25	20.5	25	30	20	21100	28000	16000
	K25 × 30 × 25		21	25	30	25	21700	40400	15000
	K25 × 30 × 26	52.436	21.6	25	30	26	20100	26500	15000
	K25 × 31 × 17	39243/25	21.8	25	31	17	19000	28000	16000
25	K25 × 31 × 21	39243/25	26.2	25	31	21	24100	37500	16000

向心滚针和保持架组件

Radial Needle Roller and Cage Assemblies



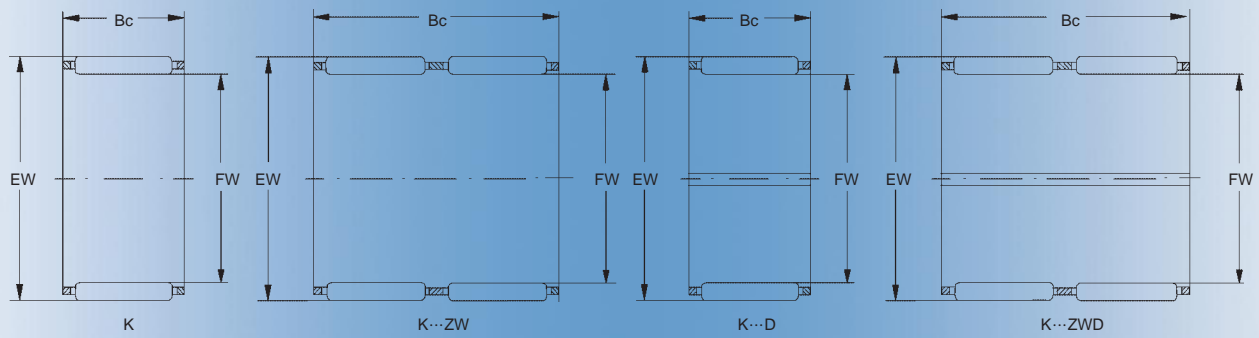
轴径 Shaft Diameter	轴承型号 Bearing Designation		重量 Mass 近似 Approx	外形尺寸 Boundary Dimensions			基本额定负荷 Basic Load Rating		极限转速 Limiting Speed
	现型号 Current Code	原型号 Original Code		Fw	Ew	Bc	动 Dynamic	静 Static	油 润 滑 Oil
				mm			N		rpm
25	K25 × 32 × 16	19244/25	24.5	25	32	16	20500	27500	15000
	K25 × 33 × 20	19245/25	32	25	33	20	28000	37500	15000
	K25 × 33 × 24	29245/25	38.7	25	33	24	33900	46500	15000
	K25 × 34 × 18		32	25	34	18	48000	67000	15000
	K25 × 35 × 30	39245/25	65.5	25	35	30	46500	61500	14000
	K25 × 30 × 26 ZW		27	25	30	26	21000	35000	14000
26	K26 × 30 × 10		9	26	30	10	9500	15500	16000
	K26 × 30 × 13		11.4	26	30	13	11100	18700	16000
	K26 × 30 × 17		15	26	30	17	14700	27000	16000
	K26 × 31 × 13		9.9	26	31	13	12400	18400	15000
	K26 × 30 × 22		12.3	26	30	22	15200	28000	16000
27	K27 × 32 × 17		29	27	32	27	16000	34000	17000
28	K28 × 32 × 16.5		16	28	32	16.5	15000	32400	14000
	K28 × 32 × 17	9242/28	18.2	28	32	17	15000	32400	14000
	K28 × 33 × 13	29241/25	15.2	28	33	13	14800	23600	14000
	K28 × 33 × 17	49241/28	19.5	28	33	17	19100	33000	14000
	K28 × 33 × 27 TN	79241/28	19	28	33	27	22800	40500	14000
	K28 × 34 × 17	39242/28	24.2	28	34	17	21300	35000	14000
	K28 × 35 × 16	19243/28	26	28	35	16	21000	29000	14000
	K28 × 35 × 18		31	28	35	18	23500	33500	14000
	K28 × 35 × 20	29243/28	35	28	35	20	24000	34000	14000
	K28 × 35 × 27		47	28	35	27	34500	54500	14000
	K28 × 36 × 16		40	28	36	16	34000	47000	11000
	K28 × 40 × 18		50	28	40	18	33000	36500	12000
K28 × 40 × 25		71	28	40	25	45000	54500	12000	
30	K30 × 33 × 10			30	33	10			
	K30 × 34 × 13		14.6	30	34	13	11800	21200	13000
	K30 × 35 × 13	29241/30	16.3	30	35	13	15100	25000	13000
	K30 × 35 × 17	49241/30	21.3	30	35	17	19100	33500	13000
	K30 × 35 × 26			30	35	26			
	K30 × 35 × 27	19241/30	33.3	30	35	27	30000	58500	13000
	K30 × 37 × 16	19243/30	26.4	30	37	16	22500	33000	13000
	K30 × 38 × 25	29244/30	43	30	38	25	16000	39000	13000
	K30 × 39 × 21			30	39	21			
	K30 × 40 × 18		44	30	40	18	31500	39500	12000
	K30 × 40 × 27	92401/30T	60	30	40	27			
	K30 × 40 × 30	49243/30	78	30	40	30	48500	68500	13000
	K30 × 35 × 26		32	30	35	26	23500	43500	12000
	K30 × 42 × 44.1			30	42	44.1			



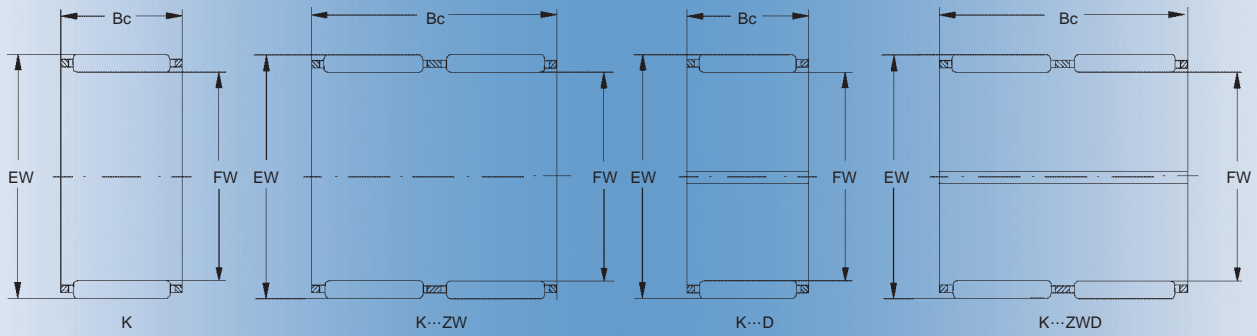
轴径 Shaft Diameter	轴承型号 Bearing Designation		重量 Mass 近似 Approx	外形尺寸 Boundary Dimensions			基本额定负荷 Basic Load Rating		极限转速 Limiting Speed
	现型号 Current Code	原型号 Original Code		Fw	Ew	Bc	动 Dynamic	静 Static	油润滑 Oil
				mm			N		rpm
32	K32 × 37 × 13	29241/32	18.3	32	37	13	15000	25000	12000
	K32 × 37 × 17	49241/32	22.4	32	37	17	19400	35000	12000
	K32 × 37 × 27	19241/32	36.7	32	37	27	29500	59500	12000
	K32 × 37 × 28 TN		22.3	32	37	28	23100	43000	12000
	K32 × 38 × 16		25	32	38	16	21000	34000	12000
	K32 × 38 × 20	49242/32	31	32	38	20	26000	44500	12000
	K32 × 38 × 26 TN		25.2	32	38	26	27000	46500	12000
	K32 × 39 × 16	19243/32	36.7	32	39	16	23500	35000	12000
	K32 × 39 × 18		37.2	32	39	18	26000	40500	12000
	K32 × 40 × 20	19244/32	48	32	40	20	37000	40500	12000
	K32 × 40 × 36		73	32	40	36	53500	91500	12000
	K32 × 46 × 32		119	32	46	32	65500	82500	11000
35	K32 × 40 × 42 TN		771	32	40	42	49500	83500	12000
	K35 × 40 × 13	29241/35	188	35	40	13	15800	27500	11000
	K35 × 40 × 17	49241/35	25.3	35	40	17	20300	38000	11000
	K35 × 40 × 25	29244/35	31	35	40	25	29000	59500	11000
	K35 × 40 × 27 TN	19241/35	23.4	35	40	27	24500	48000	11000
	K35 × 40 × 27	79241/35	28	35	40	27	27800	62100	11000
	K35 × 40 × 30	39244/35	43	35	40	30	25000	49500	11000
	K35 × 42 × 16	19243/35	34	35	42	16	23900	37000	11000
	K35 × 42 × 18		39.2	35	42	18	27000	42500	11000
	K35 × 42 × 30	49243/35	62.4	35	42	30	38500	67500	11000
	K35 × 43 × 18		38	35	43	18	28000	41500	11000
	K35 × 45 × 20		55.5	35	45	20	36500	49500	10000
	K35 × 45 × 30	29245/35	80	35	45	30	52500	78500	10000
	K35 × 45 × 49		120	35	45	49	81500	13400	10000
36	K35 × 40 × 30 ZW		48	35	40	30	31500	65500	11000
	K35 × 42 × 20 ZW	29243/35	41	35	42	20	29500	48500	11000
37	K36 × 41 × 30		52	36	41	30	23000	43000	11000
	K36 × 42 × 16		50	36	42	16	24000	42000	11000
37	K37 × 42 × 17		25.8	37	42	17	21900	42500	10000
	K37 × 42 × 27		40.7	37	42	27	31500	67500	10000
	K37 × 45 × 26		60.5	37	45	26	43500	73500	10000
38	K38 × 43 × 17	49241/38	26.9	38	43	17	20000	38000	10000
	K38 × 43 × 27	49241/38	43.2	38	43	27	31000	67500	10000
	K38 × 46 × 20	19244/38	46	38	46	20	35000	56500	10000
39	K38 × 46 × 32		72.7	38	46	32	54500	98500	10000
	K39 × 44 × 24		38	39	44	24	28000	58500	10000
	K39 × 44 × 26 ZW		29.5	39	44	26	27000	55500	10000

向心滚针和保持架组件

Radial Needle Roller and Cage Assemblies



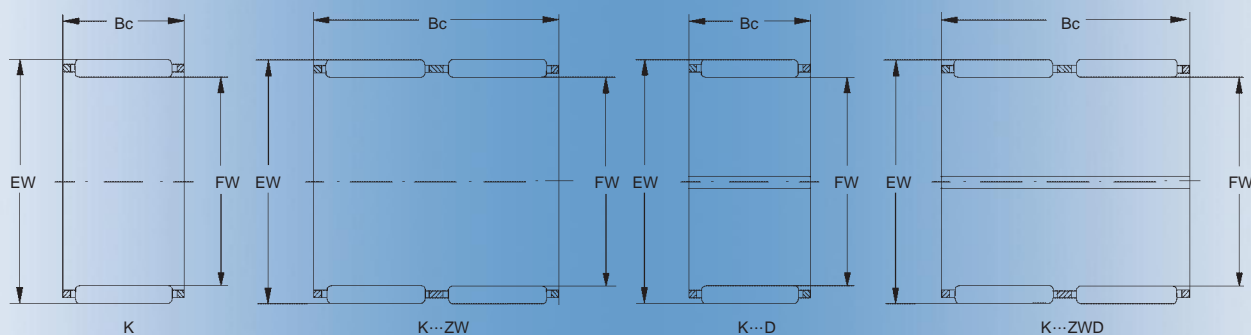
轴径 Shaft Diameter	轴承型号 Bearing Designation		重量 Mass 近似 Approx	外形尺寸 Boundary Dimensions			基本额定负荷 Basic Load Rating		极限转速 Limiting Speed
	现型号 Current Code	原型号 Original Code		Fw	Ew	Bc	动 Dynamic	静 Static	油 润 滑 Oil
				mm			N		rpm
40	K40 × 44 × 13		20	40	44	13	13500	28000	10000
	K40 × 45 × 13	29241/40	21.5	40	45	13	17100	32000	10000
	K40 × 45 × 17	49241/40	27.4	40	45	17	20900	41000	10000
	K40 × 45 × 21		36.5	40	45	21	24400	49500	10000
	K40 × 45 × 27	19241/40	46	40	45	27	32500	72500	10000
	K40 × 46 × 17	39242/40	30	40	46	17	24500	44500	9000
	K40 × 47 × 18		45.2	40	47	18	29000	49500	9000
	K40 × 47 × 20	29243/40	42	40	47	20	32000	56500	9000
	K40 × 48 × 20	19244/40	57.7	40	48	20	35500	58500	9000
K40 × 45 × 30 ZW		48	40	45	30	26000	53500	9000	
42	K42 × 47 × 13	29241/42	22.5	42	47	13	17300	33000	9000
	K42 × 47 × 17	49241/42	31.1	42	47	17	21100	42500	9000
	K42 × 47 × 25 TN		25.4	42	47	25	27000	57500	9000
	K42 × 47 × 27	79241/42	46.6	42	47	27	33000	74500	9000
	K42 × 48 × 35	79242/42	60	42	48	35	35000	76000	9000
	K42 × 50 × 18		53	42	50	18	31000	49500	9000
	K42 × 50 × 20	19244/42	54	42	50	20	34500	56500	9000
	K42 × 47 × 30 ZW		54	42	47	30	31000	75500	9000
43	K43 × 48 × 17		29.3	43	48	17	21000	42500	9000
	K43 × 48 × 27		45.7	43	48	27	33000	74500	9000
	K43 × 50 × 18	9249/43	48.5	43	50	18	30500	53500	8000
45	K45 × 49 × 19		27	45	49	19	17500	40000	8000
	K45 × 50 × 17	49241/45	25.5	45	50	17	22000	45000	8000
	K45 × 50 × 27	19241/45	50	45	50	27	34000	79500	8000
	K45 × 50 × 32 TN		45	45	50	32	38000	90500	8000
	K45 × 52 × 18		51	45	52	18	31000	56500	8000
	K45 × 52 × 21 TN		32.9	45	52	21	39500	57500	8000
	K45 × 53 × 20	19244/45	62.2	45	53	20	38500	66500	8000
	K45 × 53 × 21		65	45	53	21	38000	66500	8000
	K45 × 53 × 22		68.4	45	53	22	42000	66500	8000
	K45 × 53 × 28		78	45	53	28	51500	97500	8000
	K45 × 59 × 18 TN		60.5	45	59	18	43500	53500	7000
	K45 × 59 × 32		145.5	45	59	32	72500	101500	7000
	K45 × 59 × 36		195	45	59	36	75500	108500	7000
K45 × 51 × 36 ZW		85	45	51	36	44500	98500	7000	
47	K47 × 52 × 17		32	47	52	17	22800	48500	8000
	K47 × 52 × 27		50.7	47	52	27	34500	82500	8000
	K47 × 53 × 25		53	47	53	25	38000	81500	8000
	K47 × 55 × 28		62.4	47	55	28	52500	99500	7500



轴径 Shaft Diameter	轴承型号 Bearing Designation		重量 Mass 近似 Approx	外形尺寸 Boundary Dimensions			基本额定负荷 Basic Load Rating		极限转速 Limiting Speed
	现型号 Current Code	原型号 Original Code		Fw	Ew	Bc	动 Dynamic	静 Static	油润滑 Oil
				mm			N		rpm
48	K48 × 54 × 19	39242/48	44	48	54	19	30000	60500	7500
	K48 × 54 × 25	59242/48	55	48	54	25	31000	91000	7500
50	K50 × 55 × 13.5		31	50	55	13.5	17500	36000	7500
	K50 × 55 × 17	49241/50	35	50	55	17	21400	46500	7500
	K50 × 55 × 20	59241/50	39.4	50	55	20	26000	59500	7500
	K50 × 55 × 30	9243/50	59.4	50	55	30	38500	96500	7500
	K50 × 57 × 18		53.4	50	57	18	33000	62500	7000
	K50 × 58 × 20	19244/50	64.9	50	58	20	35000	61500	7000
52	K52 × 57 × 12		24	52	57	12	17500	36000	7000
	K55 × 60 × 20		43.4	55	60	20	28000	65500	6500
55	K55 × 60 × 27		60.5	55	60	27	37500	96500	6500
	K55 × 60 × 30		68.6	55	60	30	40500	10300	6500
	K55 × 61 × 20		56	55	61	20	41000	11000	6500
	K55 × 62 × 18		58.4	55	62	18	35000	69500	6500
	K55 × 63 × 15		53	55	63	15	245000	40500	6500
	K55 × 63 × 20	19243/55	73.3	55	63	20	39500	73500	6500
	K55 × 63 × 25	29243/55	88	55	63	25	49500	99500	6500
	K55 × 63 × 32		117	55	63	32	61500	129500	6500
	K55 × 60 × 40 ZW		96.5	55	60	40	48000	132000	6500
56	K56 × 61 × 20		45	56	61	20	27000	64500	6500
58	K58 × 63 × 17		42	58	63	17	21500	63500	6000
	K58 × 64 × 19		53	58	64	19	24500	77500	6000
	K58 × 65 × 18		52	58	65	18	34500	69500	6000
	K58 × 65 × 38 ZW		106	58	65	38	48500	106500	6000
60	K60 × 65 × 20	49241/60	50.5	60	65	20	29000	71500	6000
	K60 × 65 × 30	69241/60	71.2	60	65	30	42000	115500	6000
	K60 × 68 × 20	19243/60	79	60	68	20	43000	84500	5500
	K60 × 68 × 23		94	60	68	23	49000	100500	5500
	K60 × 68 × 25	29243/60	97	60	68	25	52500	110500	5500
	K60 × 68 × 27		98	60	68	27	59000	120500	6000
	K60 × 75 × 42		240	60	75	42	11300	19200	5500
	K60 × 66 × 33 ZW		104	60	66	33	45500	111500	6000
	K60 × 66 × 40 ZW		116	60	66	40	57500	150500	5500
	K60 × 68 × 30 ZW		136	60	68	30	44000	87500	5500
62	K62 × 70 × 40 ZW		147.5	62	70	40	65500	145500	5500
63	K63 × 70 × 21		75	63	70	21	45000	100500	5500
64	K47 × 70 × 16		53	64	70	16	27500	59500	5500

向心滚针和保持架组件

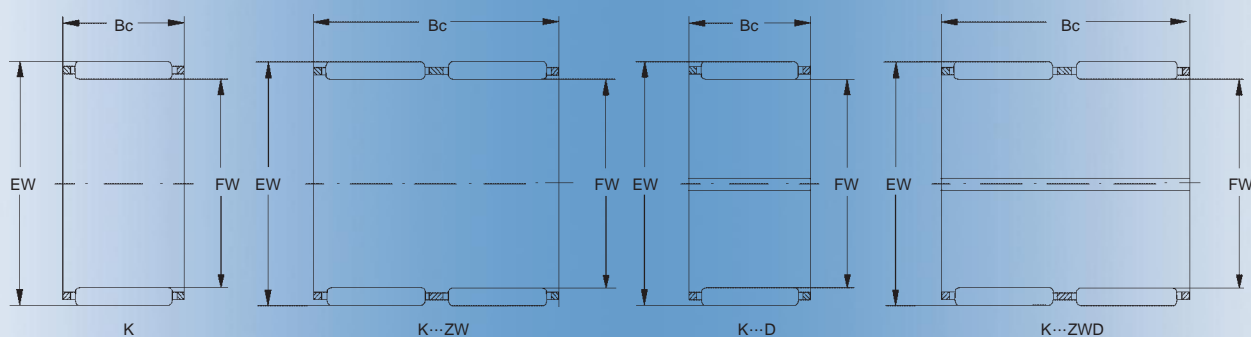
Radial Needle Roller and Cage Assemblies



轴径 Shaft Diameter	轴承型号 Bearing Designation		重量 Mass 近似 Approx	外形尺寸 Boundary Dimensions			基本额定负荷 Basic Load Rating		极限转速 Limiting Speed
	现型号 Current Code	原型号 Original Code		Fw	Ew	Bc	动 Dynamic	静 Static	油 润滑 Oil
				mm			N		rpm
65	K65 × 70 × 20	49241/65	49	65	70	20	30000	76500	5500
	K65 × 70 × 30		83	65	70	30	43500	93500	5500
	K65 × 73 × 23		100	65	73	23	45500	93500	5000
	K65 × 73 × 30	39243/65	126	65	73	30	56500	122500	5000
68	K68 × 74 × 20	49241/68	65	68	74	20	35000	83500	5000
	K68 × 74 × 30	69241/68	97	68	74	30	46000	117500	5000
	K68 × 74 × 35 ZW	79241/68	116	68	74	35	48000	124500	5000
	K68 × 75 × 20		120	68	75	32	53500	127500	4500
70	K70 × 76 × 20	49241/70	70	70	76	20	35500	85500	4500
	K70 × 76 × 30	69241/70	100	70	76	30	51500	138500	4500
	K70 × 78 × 25	29243/70	115	70	78	25	51500	111500	4500
	K70 × 78 × 30	39243/70	136	70	78	30	59500	134500	4500
	K70 × 80 × 30	29244/70	150	70	80	30	72500	147500	4500
	K70 × 78 × 46 ZW		230	70	78	46	77500	18800	4500
72	K72 × 80 × 20	19243/72	94	72	80	20	41000	84500	4500
73	K73 × 79 × 20		69	73	79	20	36500	99500	4500
75	K75 × 81 × 20	49241/75	72	75	81	20	37000	93500	4500
	K75 × 81 × 30	69241/75	106	75	81	30	51500	142000	4500
	K75 × 83 × 23		113	75	83	23	49500	108000	4000
	K75 × 83 × 30	39243/75	147	75	83	30	91500	142000	4000
	K75 × 83 × 35 ZW	49243/75	165	75	83	35	62500	146500	4000
	K75 × 83 × 40 ZW	59243/75	190	75	83	40	72500	176500	4000
80	K80 × 86 × 20	49241/80	76	80	86	20	38000	97500	4000
	K80 × 86 × 30	69241/80	114	80	86	30	55500	158500	4000
	K80 × 88 × 30	39243/80	141	80	88	30	71500	178500	4000
	K80 × 88 × 40 ZW	59243/80	204	80	88	40	75500	191500	4000
	K80 × 88 × 46 ZW	69243/80	235	80	88	46	87500	23000	4000
85	K85 × 92 × 20	29241/85	96	85	92	20	44000	107500	3500
90	K90 × 97 × 20	29241/90	103	90	97	20	44500	112500	3000
	K90 × 98 × 27		150	90	98	27	60500	149500	3000
	K90 × 98 × 30	39242/90	172	90	98	30	67500	171500	3000
95	K95 × 102 × 20	29241/95	110	95	102	20	45500	122500	2900
	K95 × 103 × 30 ZW	39242/95	177	95	103	30	68500	179500	2900
	K95 × 103 × 40 ZW	59242/95	250	95	103	40	82500	227500	2900
100	K100 × 107 × 21		120	100	107	21	47500	126500	2700
	K100 × 108 × 27		176	100	108	27	56500	142500	2700
	K100 × 108 × 30	39242/100	190	100	108	30	70500	187500	2700
105	K105 × 112 × 21		123	105	112	21	47000	126500	2500
	K105 × 113 × 30	39242/105	198	105	113	30	71500	196500	2500

向心滚针和保持架组件

Radial Needle Roller and Cage Assemblies



轴径 Shaft Diameter	轴承型号 Bearing Designation		重量 Mass 近似 Approx	外形尺寸 Boundary Dimensions			基本额定负荷 Basic Load Rating		极限转速 Limiting Speed
	现型号 Current Code	原型号 Original Code		Fw	Ew	Bc	动 Dynamic	静 Static	油润滑 Oil
				mm			N		rpm
110	K110 × 117 × 24		146	110	117	24	55500	157500	2300
	K110 × 118 × 30	39244/110	217	110	118	30	77500	218500	2300
115	K115 × 123 × 27		200	115	123	27	63	170	4100
	K115 × 125 × 35			115	125	35	63	170	4100
	K115 × 125 × 40			115	125	40	65	175	4100
120	K120 × 127 × 24		165	120	127	24	59	174	4000
125	K125 × 133 × 35		275	125	133	35	86	260	3800
130	K130 × 127 × 24		170	130	137	24	61	186	3700
145	K145 × 153 × 26		262	145	153	26	74	225	3300
155	K155 × 163 × 26		265	155	163	26	75	236	3100
160	K160 × 170 × 46		550	160	170	46	152	510	3000
165	K165 × 173 × 26		320	165	173	26	81	265	3000
175	K175 × 183 × 32		400	175	183	32	99	350	2700
185	K185 × 195 × 37		607	185	195	37	128	425	2600
195	K195 × 205 × 37		620	195	205	37	133	450	2500
210	K210 × 220 × 42		740	210	220	42	154	560	2300
220	K220 × 230 × 42		790	220	230	42	158	590	2200
240	K240 × 250 × 42		850	240	250	42	164	630	2000
265	K265 × 280 × 50		1810	265	280	50	255	860	1800

常州亚派轴承有限公司 0519-88995562

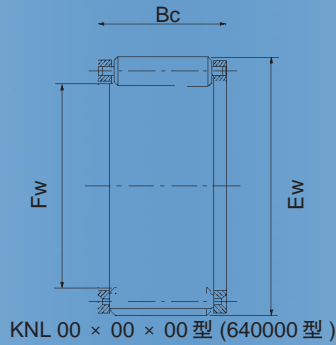
该种轴承适用于径向尺寸特别受限制的部件中，该种轴承因无套圈，轴颈表面和外壳内孔表面直接作为滚动面，要求与其相配的轴颈表面和外壳内孔表面的硬度、表面粗造度及尺寸精度应与轴承套圈相当，还有一种改枢轴式圆柱体为平头圆柱体，并采用“M”型保持架的结构型式，这时速度性能有较大改善。

无套圈长圆柱滚子和保持架组件
No Collar Slab Roller and Cage Assemblies

YPB[®]



This kind of bearing is suitable for the parts in which the radial size is specially limited. Since the bearing has not collar, the surface of shaft journal and the surface of housing inner bore are directly acted as rolling face. It is requested that the hardness, surface roughness and size accuracy of shaft journal surface and housing inner bore surface fitted with it be adaptable to the collar of bearing. Another pivot cylinder is modified as flat cylinder with M-type cage structure. Its speed performance is greatly improved.



轴径 Shaft Diameter	轴承型号 Bearing Designation		重量 Mass 近似 Approx	外形尺寸 Boundary Dimensions			基本额定负荷 Basic Load Rating	
	现型号 Current Code	原型号 Original Code		Fw	Ew	Bc	动 Dynamic	静 Static
mm			g	mm			N	
19.051	KNL19.051 × 28.588 × 36.75	64903	70	19.051	28.588	36.75		
19.051	KNL19.051 × 28.588 × 43.25	64904	80	19.051	28.588	43.25		
20	KNL20 × 30.2 × 18	64704	40	20	30.2	18		
20.612	KNL20.612 × 33.325 × 35	864904	96	20.612	33.325	35		
20.638	KNL20.638 × 33.338 × 36.75	64705	92	20.638	33.338	36.75		
25	KNL25 × 38 × 24.7	64805	82	25	38	24.7		
25.4	KNL25.4 × 41.2 × 60.4	64905	265	25.4	41.2	60.4		
27.71	KNL27.71 × 42.825 × 44.1	64906	183	27.71	42.825	44.1		
28.575	KNL28.575 × 41.275 × 34.925	64806	122	28.575	41.275	34.925		
28.578	KNL28.575 × 41.275 × 40	94626	155	28.578	41.275	40		
29.975	KNL29.975 × 42 × 44.1	64706	160	29.975	42	44.1		
29.975	KNL29.975 × 42 × 31	9148/30	81	29.975	42	31		
31.75	KNL31.75 × 44.45 × 31.75	864807	115.8	31.75	44.45	31.75		
31.9	KNL31.9 × 41.46 × 32	31.9 × 41.46 × 32	95	31.9	41.46	32		
32	KNL32 × 50 × 45	30643/32	272	32	50	45		
32	KNL32 × 52 × 49	64907	329	32	52	49		
37.96	KNL37.96 × 53.9 × 36	37.96 × 53.9 × 36	208.3	37.96	53.9	36		
40	KNL40 × 60 × 30	10643/40	248	40	60	30		
52.412	KNL52.412 × 71.425 × 42.3	864911	441	52.412	71.425	42.3		
65	KNL65 × 89 × 58.9	864913	943	65	89	58.9		
74	KNL74 × 106 × 57.9	864915	1563	74	106	57.9		

连杆用滚针和保持架组件主要用于发电机、压缩机和其他曲柄连杆机构上。

连杆用滚针和保持架组件的代号由字母和数字两部分组成，字母KZK表示曲柄销用组件;KBK表示活塞销用组件。

KZK 曲柄销用滚针和保持架组件，采用M型保持架，性能可靠。应特殊要求，保持架表面可进行镀银、镀铜处理。

KBK 活塞销用滚针和保持架组件不象曲柄销那样外引，而是在活塞销上内引导，因此就可以加大滚针长度。

连杆用滚针和保持架组件

Rod-use Needle Roller and Cage Assemblies For

YPB[®]

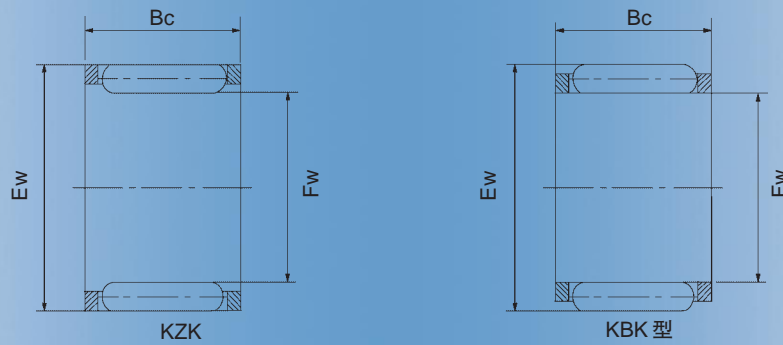


The rod-use needle roller and cage assembly is mainly used for engine, compressor and other crank-guide.

The designation of the rod-use needle roller and cage assembly is composed of letter and number. The letter KZK represents crank pine assembly and KBK represents piston pin assembly.

4.The needle roller and cage assembly for KZK crank pin adapts M-type cage with reliable performance. It has special requirement. The surface of cage can be silver-plated or copper-coated.

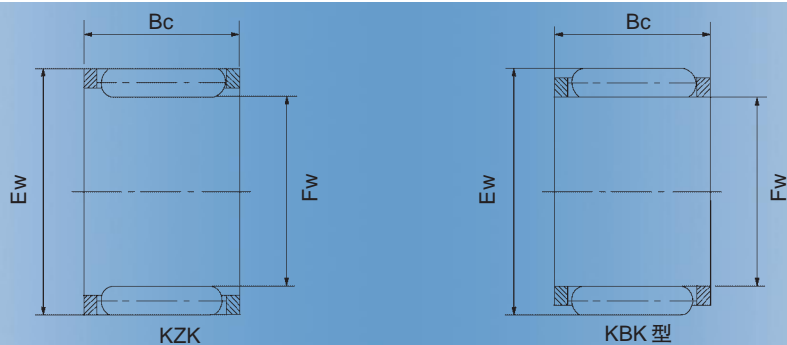
5. The needle roller and cage assembly for KBK piston pin is different from KZK (external guide for crank pin). It is internally guided on the piston pin), thus increasing the length of needle.



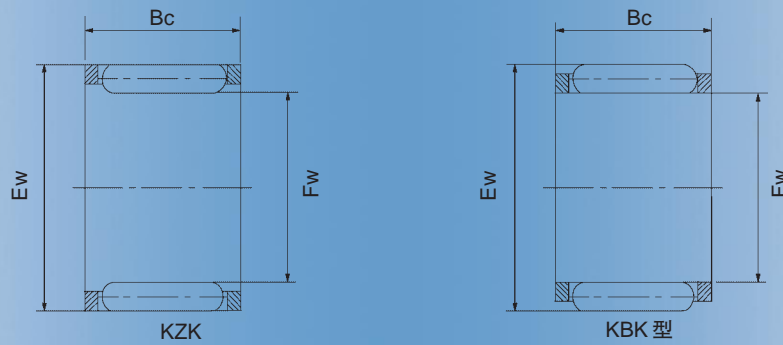
轴径 Shaft Diameter	轴承型号 Bearing Designation		重量 Mass 近似 Approx	外形尺寸 Boundary Dimensions			基本额定负荷 Basic Load Rating	
	现型号 Current Code	原型号 Original Code		Fw	Ew	Bc	动 Dynamic	静 Static
				mm			N	
mm			g	mm			N	
8	KZK8 × 12 × 8	19242/8	1.9	8	12	8	4700	4580
10	KZK10 × 14 × 10	29242/10	3.3	10	14	10	5000	5160
12	KZK12 × 15 × 13	49241/12	3.6	12	15	13	5300	7400
	KZK12 × 16 × 10	29242/12	3.5	12	16	10	6100	6900
	KZK12 × 16 × 11		3.7	12	16	11	6200	7100
	KZK12 × 17 × 10	19243/12	5	12	17	10	7020	7020
	KZK12 × 18 × 10	19242/12	7.8	12	18	10	7400	7200
14	KZK14 × 18 × 10	29241/14	4	14	18	10	7100	8500
	KZK14 × 19 × 10	19242/14	5.5	14	19	10	7300	7600
	KZK14 × 19 × 10		7.5	14	19	12	7460	7950
	KZK14.4 × 20.4 × 10		6.5	14.4	20.4	10	8100	7800
15	KZK15 × 19 × 9		5	15	19	9	6800	7100
	KZK15 × 19 × 10	29241/15	6	15	19	10	7200	8400
	KZK15 × 20 × 10	19242/15	7.5	15	20	10	7800	9100
	KZK15 × 21 × 10		8.5	15	21	10	8400	10500
	KZK15 × 21 × 11		9.5	15	21	11	8500	10700
	KZK15.2 × 22.2 × 12		11.5	15.2	22.2	12	8600	11100
16	KZK16 × 20 × 10	29241/16	5.8	16	20	10	8200	9200
	KZK16 × 20 × 24	79241/16	6.3	16	20	24	8700	9400
	KZK16 × 21 × 10	19242/16	5.8	16	21	10	8800	9800
	KZK16 × 22 × 12	19243/16	9.5	16	22	12	11000	11900
	KZK16 × 22 × 14		11	16	22	14	13200	13930
17	KZK17 × 21 × 10	29241/17	6.7	17	21	10	7600	9000
	KZK17 × 23 × 11		9.5	17	23	11	8100	11300
18	KZK18 × 22 × 10	29241/18	6.9	18	22	10	7600	9800
	KZK18 × 22 × 24		7.2	18	22	24	10100	17200
	KZK18 × 24 × 11.6	19243/18	10	18	24	11.6	11600	13100
	KZK18 × 24 × 12	19243/18	10	18	24	12	11600	13100
	KZK18 × 24 × 13.3		12.4	18	24	13.3	9000	10700
	KZK18 × 24 × 13.5		12.4	18	24	13.5	9000	10700
	KZK18 × 24 × 15	29243/18	14	18	24	15	13200	15500
19	KZK19 × 25 × 16	19244/19K	13.9	19	25	16	12100	15500
	KZK19 × 28 × 14		20	19	28	14	12100	15000
20	KZK20 × 25 × 16		12	20	25	16	9900	12300
	KZK20 × 26 × 12	19243/20	9.6	20	26	12	10100	12500
	KZK20 × 26 × 14		12	20	26	14	12600	16700
	KZK20 × 26 × 17	9246/20	17	20	26	17	12700	17600
22	KZK22 × 28 × 13		15	22	28	13	11900	16500
	KZK22 × 28 × 14		16	22	28	14	12600	16800

连杆用滚针和保持架组件

Rod-use Needle Roller and Cage Assemblies For



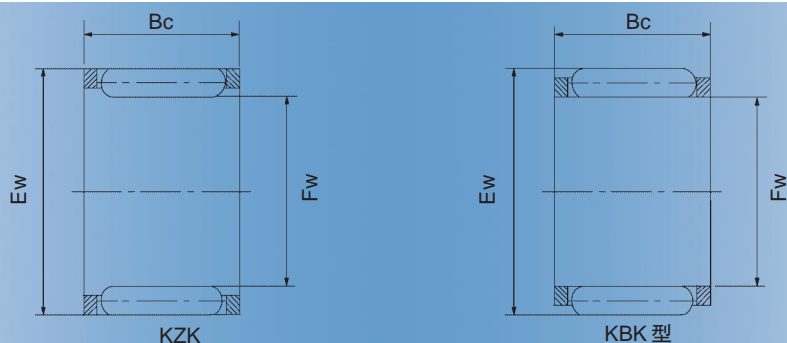
轴径 Shaft Diameter	轴承型号 Bearing Designation		重量 Mass 近似 Approx	外形尺寸 Boundary Dimensions			基本额定负荷 Basic Load Rating	
	现型号 Current Code	原型号 Original Code		Fw	Ew	Bc	动 Dynamic	静 Static
				mm			N	
mm			g	mm			N	
22	KZK22 × 28 × 15	29242/22	16.7	22	28	15	13500	18500
	KZK22 × 28 × 16	29243/22K	18	22	28	16	14400	20100
	KZK22 × 29 × 15		15.2	22	29	15	17800	21800
	KZK22 × 29 × 16	19244/32	19	22	29	16	17800	21800
	KZK22 × 30 × 16	SZ-432	25.7	22	30	16	18700	22300
23	KZK23 × 29 × 13		12	23	29	13	10000	11300
	KZK23 × 30 × 14		19.4	23	30	14	9350	10100
	KZK23 × 30 × 16		22	23	30	16	9780	11800
23.1	KZK23.1 × 28.1 × 14	29242/23.1	12.9	23.1	28.1	14	10600	15800
24	KZK24 × 30 × 15		17	24	30	15	11200	13700
	KZK24 × 30 × 16		18	24	30	16	11200	13700
25	KZK25 × 30 × 28	69245/25	24	25	30	28	13300	15200
	KZK25 × 31 × 12	19243/25K	16	25	31	12	8700	8800
	KZK25 × 31 × 17	39243/25	23	25	31	17	9200	9750
	KZK25 × 31 × 20	49243/25	26	25	31	20	9700	10600
	KZK25 × 32 × 16	19244/25	22.7	25	32	16	18200	23100
25.1	KZK25.1 × 30.1 × 14		14.1	25.1	30.1	14	13700	19000
26	KZK26 × 34 × 16	9248/26	25	26	34	16	11700	17500
28	KZK28 × 33 × 14		15.7	28	33	14	13200	21900
	KZK28 × 34 × 14		20	28	34	14	16500	20700
	KZK28 × 35 × 15		25	28	35	15	18000	22000
	KZK28 × 35 × 16	19243/28	27	28	35	16	18900	23000
	KZK28 × 36 × 16		29.1	28	36	16	19500	27000
	KZK28 × 38 × 13.6		40	28	38	13.6	17300	20300
30	KZK30 × 36 × 16		28.5	30	36	16	18900	22800
	KZK30 × 37 × 16	19243/30	29	30	37	16	21500	30500
	KZK30 × 38 × 16		34.4	30	38	16	22700	32600
	KZK30 × 38 × 18		38.8	30	38	18	26200	39600
32	KZK32 × 40 × 22	19244/32K	50	32	40	22	27800	39300
	KZK32 × 42 × 20		54	32	42	20	29000	41000
35	KZK35 × 42 × 20	29243/35	10	35	42	20	26000	40200
38	KZK38 × 46 × 20	19244/38	50	38	46	20	31100	43000
40	KZK40 × 48 × 17		50	40	48	17	29000	39000
	KZK40 × 48 × 20	19244/40	54	40	48	20	32500	51000



轴径 Shaft Diameter	轴承型号 Bearing Designation		重量 Mass 近似 Approx	外形尺寸 Boundary Dimensions			基本额定负荷 Basic Load Rating	
	现型号 Current Code	原型号 Original Code		Fw	Ew	Bc	动 Dynamic	静 Static
				mm			N	
8	KBK8 × 11 × 10	39241/8	1.85	8	11	10	3500	4000
	KBK8 × 12 × 10	29242/8	2	8	12	10	3700	4100
9	KBK9 × 12 × 11.5		2.4	9	12	11.5	4200	4800
	KBK9 × 12 × 13	49241/9	2.75	9	12	13	4600	5800
	KBK9 × 12 × 14		3.5	9	12	14	4700	5900
	KBK9 × 13 × 12	39242/9	4.1	9	13	12	5300	5700
	KBK9 × 13 × 12.5		4.9	9	13	12.5	5300	5700
	KBK9 × 13 × 13	39242/9	5.1	9	13	13	5350	5600
10	KBK10 × 13 × 8	29241/10	2	10	13	8	4000	5000
	KBK10 × 13 × 10	39241/10	2.4	10	13	10	4200	5200
	KBK10 × 13 × 14.5	59241/10	5.1	10	13	14.5	5400	6600
	KBK10 × 13 × 16		5.7	10	13	16	6800	7700
	KBK10 × 14 × 10	29242/10	3.4	10	14	10	4400	4600
	KBK10 × 14 × 11		4	10	14	11	5200	5700
	KBK10 × 14 × 12		4.5	10	14	12	5400	6000
	KBK10 × 14 × 12.5		4.85	10	14	12.5	5600	6200
	KBK10 × 14 × 13	39242/10	5.4	10	14	13	5600	6200
11	KBK11 × 15 × 17		5	11	15	17	5200	7000
12	KBK12 × 15 × 13	49241/12	4.6	12	15	13	5500	7300
	KBK12 × 15 × 14.3		5.4	12	15	14.3	5800	7700
	KBK12 × 15 × 15	59241/12	5.6	12	15	15	5900	7800
	KBK12 × 15 × 16.5		6.2	12	15	16.6	6800	9900
	KBK12 × 15 × 17	69241/12	6.3	12	15	17	7000	10000
	KBK12 × 15 × 17.5		6.5	12	15	17.5	7000	10000
	KBK12 × 16 × 13	39242/12	6.7	12	16	13	6300	7600
	KBK12 × 16 × 15	149242/12KY	7.9	12	16	15	7500	9000
	KBK12 × 16 × 15.5		8.3	12	16	15.5	7600	10000
	KBK12 × 16 × 16	59241/12	8.5	12	16	16	7800	9300
	KBK12 × 16 × 17	59242/12	9.2	12	16	17	7900	9400
	KBK12 × 17 × 14		8	12	17	14	8000	9500
	KBK12 × 17 × 14.3		8.4	12	17	14.3	8000	9500
13	KBK19 × 17 × 14.8		8.8	12	17	14.8	8300	9800
	KBK13 × 17 × 14.5		7.1	13	17	14.5	8300	10200
	KBK13 × 17 × 17.5		8.6	13	17	17.5	9500	12100
14	KBK14 × 18 × 10	29241/14	4.6	14	18	10	6260	7400
	KBK14 × 18 × 12		6.6	14	18	12	6380	7570
	KBK14 × 18 × 13	39241/14	7.6	14	18	13	7300	8700
	KBK14 × 18 × 14		6.33	14	18	14	7400	8800
	KBK14 × 18 × 14.5		8	14	18	14.5	7400	8800

连杆用滚针和保持架组件

Rod-use Needle Roller and Cage Assemblies For



轴径 Shaft Diameter	轴承型号 Bearing Designation		重量 Mass 近似 Approx	外形尺寸 Boundary Dimensions			基本额定负荷 Basic Load Rating	
	现型号 Current Code	原型号 Original Code		Fw	Ew	Bc	动 Dynamic	静 Static
				mm			N	
14	KBK14 × 18 × 15	49241/14	8.3	14	18	15	7600	8990
	KBK14 × 18 × 16.5		9.6	14	18	16.5	8800	9700
	KBK14 × 18 × 17	59241/14	10.1	14	18	17	8900	9800
	KBK14 × 18 × 20	69241/14	12	14	18	20	9000	10100
	KBK14 × 18 × 21		13	14	18	21	10500	12400
	KBK14 × 19 × 22		14	14	18	22	11100	13100
	KBK14 × 18 × 17	49242/14K	10.3	14	19	17	11100	13100
15	KBK15 × 19 × 10	29241/15Y	5	15	19	10	6500	8600
	KBK15 × 19 × 18		11	15	19	18	9900	11300
	KBK15 × 19 × 19		12	15	19	19	10100	12800
	KBK15 × 19 × 20	69241/15	12.9	15	19	20	11300	15500
	KBK15 × 20 × 24		18.6	15	20	24	14100	20000
16	KBK16 × 20 × 19	SZ-433	12	16	20	19	11700	16800
	KBK16 × 20 × 20	69241/16Y	13.4	16	20	20	12900	17600
	KBK16 × 20 × 21		14	16	20	21	12900	17600
	KBK16 × 20 × 22		15	16	20	22	13000	18700
	KBK16 × 21 × 19	59242/16	16	16	21	19	13000	18700
17.5	KBK17.5 × 22 × 16		9.3	17.5	22	16	11000	16300
18	KBK18 × 22 × 22		16.9	18	22	22	11500	17700
	KBK18 × 22 × 23.5		18	18	22	23.5	11900	19000
	KBK18 × 22 × 24		18.4	18	22	24	12000	20000
	KBK18 × 22 × 25		19.1	18	22	25	12700	20100
	KBK18 × 23 × 21		18	18	23	21	9900	10100
	KBK18 × 23 × 23	69242/18	20	18	23	23	10500	12000
	KBK18 × 24 × 20	49243/18	20	18	24	20	20000	25000
20	KBK20 × 24 × 30		22.1	20	24	30	14900	25500
	KBK20 × 25 × 22		19.5	20	25	22	15200	22300
	KBK20 × 25 × 25		23	20	25	25	17100	24000

常州亚派轴承有限公司 0519-88995562

实体套圈滚针轴承结构紧凑，径向尺寸小，负荷容量大，适用于径向轮廓尺寸受到限制的部件中，在轴或外壳有摆动运动的情况下也广泛采用。滚针轴承一般只能承受径向负荷，不能承受轴向负荷。当有轴向负荷时，应和其它轴承组合使用，它不限制轴或外壳的轴向位移。滚针轴承的极限转速较低，在主机转速较高的情况下，应尽量选用带保持架的滚针轴承，和其它类型的滚动轴承相比，在径向尺寸相同的情况下，滚针轴承负荷容量最大，它的刚性较高，但摩擦力矩也较大。

此类轴承有多种结构及尺寸系列，要求轴颈或外壳滚动面表面硬度、加工精度和表面粗糙度应与轴承套圈相同。所组装 G2 级滚针，分组批直径变动量在 $2\mu\text{m}$ 以内，除满装滚针轴承外，均采用高刚性保持架，能够正确地引导滚针平行轴线。



实体套圈滚针轴承
Solid Collar Needle Roller Bearing

The solid collar needle roller bearing has compact structure, small radial size and large load carrying capacity. It is suitable for the parts of which the radial overall size is limited. It is also wide applied to the situation where the shaft or housing has the swinging motion. In general, the needle roller bearing only withstands the radial load, not the axial load. When the shaft has axial load, it can be used in combination with other bearings. However, it does not limit the axial shift of shaft or housing. The limiting rotational speed of needle roller bearing is lower. In high rotational speed of main machine, the needle roller bearing with cage shall be chosen as far as possible. In comparison with other types of needle roller bearings, under the situation of same radial size, the needle roller bearing has the large load carrying capacity and high rigidity but has high friction torque.

This kind of bearing has many series with different structure and size. It is requested that the hardness, processing accuracy and surface roughness of shaft journal surface and rolling surface of outer housing be same as those of the collar of bearing. As for the needle roller with G2 class, the diameter varies within $2\mu\text{m}$ in group. Except the full complement needle roller bearings, they have the rigid cages, which can correctly guide the parallel axis line of needle roller.

无内圈滚针轴承 RNA、NK 型

无内圈滚针轴承适用于径向尺寸受限制的部件中，由于无内圈，与其配合的轴颈表面直接作为滚动面。要求其表面硬度不低于 HRC60，表面粗糙度 Ra 值不大于 0.63 μm ，该种轴承不限制轴或外壳的轴向位移，极限转速较高。

有内圈滚针轴承 NA、NKI 型

该种轴承由于内圈无挡边，因此可分别安装内圈、外圈、全套滚针和保持架，不限制轴或外壳的轴向位移。由于用保持架将滚针隔开，减少了摩擦，所以可用在转速较高的部件中。

无内圈滚针轴承 RNA、NK 型

Model RNA, NK Needle Roller Bearings Without Inner Ring

有内圈滚针轴承 NA、NKI 型

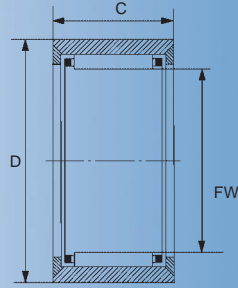
Model NA, NKI Needle Roller Bearings With Inner Ring

YPB[®]

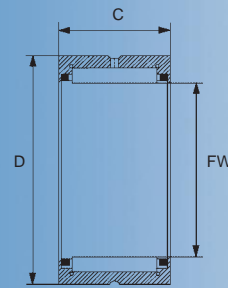


The needle roller bearing without inner ring is suitable for the parts of which the radial size is limited. Because of no inner ring, the surface of shaft journal fitted with it is acted directly as rolling surface. It is requested that the surface hardness be no less than HRC60, surface roughness, no more than 0.63 μm . This kind of bearing does not limit the axial shift of shaft and housing and has high limiting rotational speed.

The inner ring has no shoulder in this bearing. For this purpose, the inner ring, outer ring, complete set of needles and cage can be mounted respectively. This bearing does not limit the axial shift of shaft and outer housing. Since the cage separates the needles so as to reduce friction. It can be used for the parts with high rotational speed.



NK(FW ≤ 10mm)
NKS(FW ≤ 12mm)

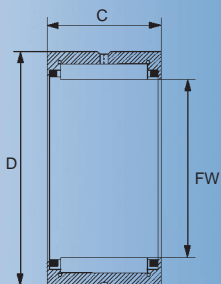


NK(FW ≥ 12mm) NKS(FW ≥ 14mm)
RNA 49, RNA 69(FW ≤ 35mm)

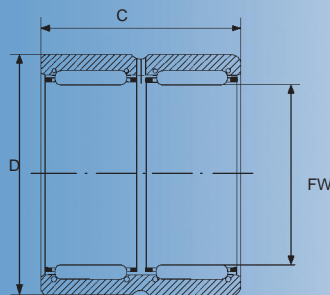
轴径 Shaft Diameter	轴承型号 Bearing Designation		重量 Mass 近似 Approx	外形尺寸 Boundary Dimensions			基本额定负荷 Basic Load Rating		极限转速 Limiting Speed
	现型号 Current Code	原型号 Original Code		Fw	D	C	动 Dynamic	静 Static	油润滑 Oil
				mm			N		rpm
5	NK5/10TN		2.9	5	10	10	2100	1400	36780
	NK05/08			5	10	8			
	NK05/10TN-OH			5	10	12	2350	1920	39000
	NK05/12TN		3.7	5	10	12	3000	2650	39000
6	NK06/10			6	12	10	2600	2200	37000
	NK06/10TN			6	12	10	2600	2200	37000
	NK06/12TN		5.7	6	12	12	3350	3150	37000
	RNA6X13X8TN			6	13	8			
7	NK07/10		6.9	7	14	10	2850	2650	34000
	NK07/12		8.2	7	14	12	3650	3600	34000
7.8	RNA7.8169			7.8	16	9			
8	NK8/12TN		8.3	8	15	12	3950	4100	32000
	NK08/12		8.7	8	15	12	3950	4100	32000
	NK08/16		12	8	15	16	5100	5800	32000
	NK08/16TN			8	15	16	5100	5800	32000
	RNA8X19X9			8	19	9			
	RN8X14X8			8	14	8			
	RNA496			8	15	10			
9	NK09/12		10.3	9	16	12			
10	NK10/12TN	462409K	10	10	17	12	4750	5300	29000
		5624097	16.6	10	17	15	4860	7100	29000
	NK10/10			10	17	10			
	NK10/12			10	17	12			
	NK10/16			10	17	16	6200	7800	29000
	NK10/16TN			10	17	16	6200	7800	29000
	NKS10			10	19	13	5800	6000	29000
12	NK12/12TN	644097	11.8	12	19	12	6000	6400	27000
		5624098	15.4	12	19	15	6400	7100	27000
	NK12/16		16.8	12	19	16	8200	9800	27000
14	NK14/16	4624900K	20.8	14	22	16	10100	11500	25000
	NKS14		27	14	25	16	1400	13800	24000
	RNA4900	4624900	24.4	14	22	13	8500	9000	25000
	RNA6900	6634900	29.1	14	22	22	12800	15600	25000
	NK14/12			14	22	12			
	NK14/20			14	22	20	12800	15600	25000
15	NK15/12	644800K	18.5	15	23	12	8600	11000	21000
	RNA152815		31.7	15	28	15	13600	17200	24000
		7948/15	16.1	15	22	12	8200	9800	8500

无内圈滚针轴承

Needle Roller Bearings Without Inner Ring

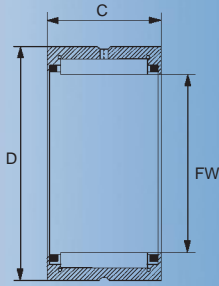


NK, NKS, RNA 49,
RNA 69 (FW ≤ 35mm)

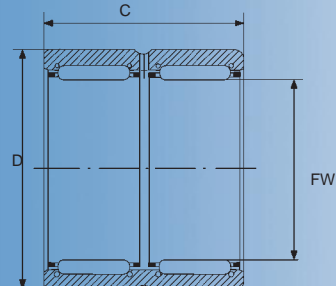


RNA 69 (FW ≥ 40mm)

轴径 Shaft Diameter	轴承型号 Bearing Designation		重量 Mass 近似 Approx	外形尺寸 Boundary Dimensions			基本额定负荷 Basic Load Rating		极限转速 Limiting Speed
	现型号 Current Code	原型号 Original Code		Fw	D	C	动 Dynamic	静 Static	油 润滑 Oil
				mm			N		rpm
15		644302	18.2	15	25	12	10600	13500	17000
	NK15/16		21.8	15	23	16	10700	12700	24000
	NK15/20		26.7	15	23	20	13600	17200	24000
	NK152312			15	23	12			
	NK152512			15	25	12			
16	NK16/16		20.8	16	24	16	11300	13900	23000
	NK16/20	624701	23.9	16	24	20	10400	16800	23000
	RNA4901	4624901	16.6	16	24	13	6400	8900	15500
	RNA6901	6634901	28.7	16	24	22	14000	18600	15500
	NKS16		30	16	28	16	14900	15000	20000
	NK162516			16	25	16			
	NK162616			16	26	16			
17	NK17/16	644903K	21.5	17	25	16	9000	13500	14000
	NK17/20	RNA172520	30	17	25	20	15000	20000	23000
18	NK18/20		30.5	18	26	20	15500	19800	22000
	NK18/16			18	26	16	12500	16200	22000
19	NK19/16			19	27	16	13000	17000	22000
20	NK20/16	644802	25.7	20	28	16	10500	13800	21000
	NK20/20	624802	29.3	20	28	20	11500	21800	21000
	NK202616		20.8	20	26	16	9600	10800	21000
	NK202620			20	26	20	9600	10800	21000
	NKS20		46.8	20	32	20	20000	23000	20000
	NK203312SX		29.1	20	33	12	13000	18000	11000
		6624101	24.3	20	28	25	13000	17500	11000
	RNA4902	4624902	20.5	20	28	13	11000	12900	12000
	RNA6902	6634902	35.4	20	28	23	10800	12800	12000
	NK20/16			20	32	16	13000	25000	12000
	RNA5902			20	28	18			
21	NK21/12			21	29	12			
	NK21/16			21	29	16	13500	18700	21000
	NK21/20			21	29	20			
22	NK22/16	NK223016	29.2	22	30	16	13500	18000	11500
		NK223516	34.6	22	35	16	18600	20800	11500
	NKS22		60.2	22	35	20	21500	25000	17000
	RNA4903	4644903	20.7	22	30	13	12000	16800	16300
	RNA5903			22	30	18			
	RNA6903	6634903	39.8	22	30	23	14000	19900	16300
		624703	53	22	35	25	24500	28000	14100
		634704L	42.5	22	30	30	17700	27000	16500



NK,NKS, RNA 49,
RNA 69(FW ≤ 35mm)

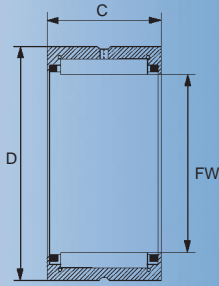


RNA 69(FW ≥ 40mm)

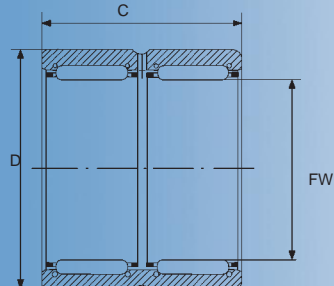
轴径 Shaft Diameter	轴承型号 Bearing Designation		重量 Mass 近似 Approx	外形尺寸 Boundary Dimensions			基本额定负荷 Basic Load Rating		极限转速 Limiting Speed
	现型号 Current Code	原型号 Original Code		Fw	D	C	动 Dynamic	静 Static	油 润滑 Oil
				mm			N		rpm
22		644704	27.4	22	28	16	10500	15000	16500
		NK223516	49.4	22	35	16	18600	20800	16500
	NK22/20			22	30	20			
23		634704KA	37.5	23	30	30	18600	29000	15000
24	NK24/16			24	32	16			
	NK24 × 33.5 × 7.5			24	33.5	7.5			
25	NK25/16	624904	30	25	33	16	12900	20400	15000
	NK25/20	644804	38.4	25	33	20	16800	28500	15000
	RNA4904	4644904	50.8	25	37	17	11900	16500	15000
	RNA6904	6634904	97.7	25	37	30	26000	43000	15000
	NKS25		65	25	38	20	25800	31000	16300
		624704	100.1	25	35	25	14900	22400	16500
	NK25/30	644804K	63	25	33	30	18800	30500	165000
	NK253326			25	33	26			
	NK253422			25	34	22			
	NK253425			25	34	25			
	NK253820			25	38	20			
	NK253825			25	38	25			
NK254517.5			25	45	17.5				
26	NK26/16		30	26	34	16	15000	23000	16300
	NK26/20		40	26	34	20	17000	30000	16300
27	NK27 × 40 × 25			27	40	25			
28	RNA283833		99.8	28	38	33	33000	57000	12000
		F3833	99.8	28	38	33	33000	57000	12000
	NKS28		80	28	42	20	25900	33500	15000
	NK28/20		53	28	37	20	22000	34000	16500
	NK28/30			28	37	30	33000	57000	12000
	RNA69/22	63549/22		28	39	30			
29	NK29/20			29	38	20	21900	34000	15000
	NK29/30			29	38	30	32500	57000	15000
30	NK30/20	644805	57.9	30	40	20	20600	32000	15000
	NK30/30		95	30	40	30	31500	50000	15000
	RNA4905	4624905	57	30	42	17	23600	31500	14000
	RNA6905	6634905	106.5	30	42	30	39000	59000	14000
		624905	68	30	42	20	20000	32000	15000
	NK304013			30	40	13			
	NK304430			30	44	30			
	NK304630			30	46	30			
NK305017			30	50	17				

无内圈滚针轴承

Needle Roller Bearings Without Inner Ring

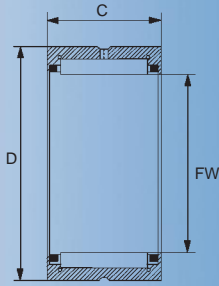


NK, NKS, RNA 49,
RNA 69(FW ≤ 35mm)

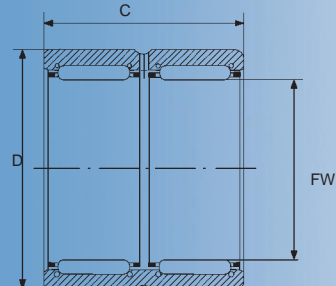


RNA 69(FW ≥ 40mm)

轴径 Shaft Diameter	轴承型号 Bearing Designation		重量 Mass 近似 Approx	外形尺寸 Boundary Dimensions			基本额定负荷 Basic Load Rating		极限转速 Limiting Speed
	现型号 Current Code	原型号 Original Code		Fw	D	C	动 Dynamic	静 Static	油 润滑 Oil
				mm			N		rpm
30	NKS30			30	45	17	32000	40000	14000
	RNA305225			30	52	25			
30.5	NK30.5 × 50 × 16			30.5	50	16			
	NK30.5 × 50 × 17			30.5	50	17			
31	NK31.75 × 44.45 × 31.75			31.75	44.45	22			
32	NK32/20	624705	75.4	32	42	20	22600	33500	15000
	RNA49/28	46449/28K	80	32	45	17	17400	30000	13000
	NAS32		100	32	47	22	31000	40000	13000
	RNA69/28		125	32	45	30	39500	61300	13000
		644906	42	32	38	11	10750	30500	12000
		644706	193	32	50	35	40500	63000	12000
	NKS32		100	32	47	22	31000	40000	12000
	NK32/30			32	42	30	33500	60000	12000
34	RNA324527			32	45	27			
	NK345034			34	50	34			
	NK345035			34	50	35			
35	NK35/20	644806	70	35	45	20	13800	26900	12000
	RNA4906	4624906	62.8	35	47	17	17000	30500	12000
	RNA6906	6634906	116	35	47	30	35000	67000	12000
		644907	161	35	51		43500	71000	12000
	NK354512			35	45	12			
	NK354830			35	48	30			
	NK355034			35	50	34			
	NK355236			35	52	36			
	RNA354527			35	45	27			
	RNA5906		108	35	47	23			
36	RNA355730			35	57	30			
	RNA355734			35	57	34			
37	NK365225			36	52	25			
37		624706	154	37	52	22	28500	45500	9000
	NK37/20			37	47	20	24900	43500	12000
	NK37/30			37	47	30	37000	73000	12000
38	NK38/20			38	48	20	25500	45000	12000
	NK38/30			38	48	30	38000	76000	12000
40	NK40/20		78.9	40	50	20	26500	43000	11000
	NK40/30		120	40	50	30	37500	79000	11000
	NK404815			40	48	15			
	NK405530			40	55	30			
	NKS40			40	55	22	38000	54000	11000



NK, NKS, RNA 49,
RNA 69 (FW ≤ 35mm)

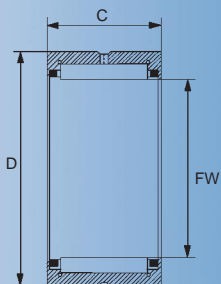


RNA 69 (FW ≥ 40mm)

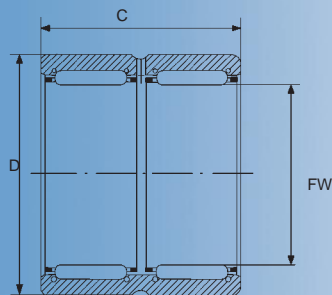
轴径 Shaft Diameter	轴承型号 Bearing Designation		重量 Mass 近似 Approx	外形尺寸 Boundary Dimensions			基本额定负荷 Basic Load Rating		极限转速 Limiting Speed
	现型号 Current Code	原型号 Original Code		Fw	D	C	动 Dynamic	静 Static	
				mm			N		油 滑 Oil
40	RNA49/32			40	52	20			
	RNA69/32	66349/32	147	40	52	36	25500	68500	8500
	RNA405422			40	54	22			
	RNA40X55X20			40	55	20			
42	NK42/20		83	42	52	20	23900	45000	10000
	NK42/30		125	42	52	30	27000	49000	10000
	RNA4907	4624907	99.3	42	55	20	19800	41500	8700
	RNA5907			42	55	27			
	RNA6907	6634907	160	42	55	36	26000	60500	8700
		644708	148	42	65	22	31500	51000	8700
	RNA425622			42	56	22			
43	NK43/20		84	43	53	20	25700	75000	10000
	NK43/30		126	43	53	30	39000	75000	10000
45	NK45/20	644808	81.5	45	55	20	19800	46500	7650
		624708	75.3	45	55	22	20500	49600	7650
		46449/38	80	45	58	20	21600	50500	7650
	NK45/30			45	55	30	41000	88000	7650
	NKS45			45	60	22	40500	60000	7650
	RNA456227K			45	62	27			
47	NK47/20			47	57	20	28500	56000	7650
	NK47/30			47	57	30	43000	94000	7650
48	RNA4908	4644908	132	48	62	22	31000	63000	8120
	RNA5908		225	48	62	30	31000	63000	8120
	RNA6908	6634908	238	48	62	40	64000	112000	8120
50	RNA50/25		167	50	62	25	28000	67000	8140
	RNA50/35		236	50	62	35	32000	70100	8140
		624708K	328	50	65	34	40000	62000	8140
	NK50/14			50	64	14	32000	70100	8140
	NK50/15			50	65	15	40000	62000	8140
	NK50/27YA	644810	257	50	67	27			
	NKS50			50	65	22			
	NK506825			50	68	25			
52	RNA4909	4624909	163	52	68	22	37000	69500	7600
	RNA5909		232	52	68	30			
	RNA6909	6634909	308	52	68	40	61500	123500	7600
55	NK55/25		167	55	68	25	30600	60800	7600
		624709	210	55	68	25	36000	68000	7600
	NK55/30			55	68	30	48000	63000	7600
	NK55/35			55	68	35	55000	74000	7600

无内圈滚针轴承

Needle Roller Bearings Without Inner Ring

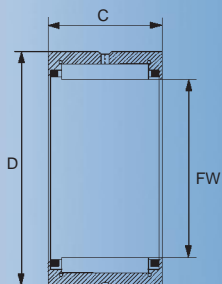


NK,NKS,RNA 49,
RNA 69(FW ≤ 35mm)

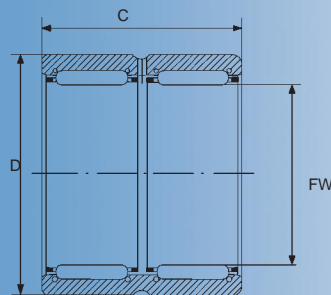


RNA 69(FW ≥ 40mm)

轴径 Shaft Diameter	轴承型号 Bearing Designation		重量 Mass 近似 Approx	外形尺寸 Boundary Dimensions			基本额定负荷 Basic Load Rating		极限转速 Limiting Speed
	现型号 Current Code	原型号 Original Code		Fw	D	C	动 Dynamic	静 Static	油 润 滑 Oil
				mm			N		rpm
55	NKS55			55	72	22	45000	74000	7600
58	RNA4910	4644910	161	58	72	22	41000	72000	7500
	RNA6910	6634910	296	58	72	40	68000	135000	7500
60	NK60/25		154	60	72	25	39000	86000	7000
	NK60/35			60	72	35	56000	130000	7000
	NKS60			60	80	28	63000	98000	7000
63	RNA4911	4644911	241	63	80	25	50600	96580	7000
	RNA6911	6634911	430	63	80	45	82560	172000	7000
65	NK65/25			65	78	25	44000	98000	7000
	NK65/35			65	78	35	59000	142000	7000
	NKS65			65	85	28	67000	108000	7000
68	RNA4912	4644912	257	68	85	25	52800	91050	7000
	RNA5912		408	68	85	34			
	RNA6912	6634912	436	68	85	45	88500	186000	7000
	NK68/25			68	82	25	43500	89000	7000
70	NK70/25			70	85	25	44500	92000	6500
	NK70/35			70	85	35	63000	144000	6500
72	RNA4913	4644913	300	72	90	25	57500	110500	6500
	RNA6913	6634913	571	72	90	45	87600	194500	6500
75	NK75/25		315	75	92	25	54000	104000	6000
	NK75/35		445	75	92	35	77000	162000	6000
80	RNA4914	4644914	400	80	100	30	79000	154000	5500
	RNA6914	6634914	815	80	100	54	121000	263000	5500
	NK80/25			80	95	25			
	NK80/35			80	95	35			
85	RNA4915	4644915	472	85	105	30	82000	158000	5500
	RNA5915		745	85	105	40			
	RNA6915	6634915	923	85	105	54	128000	272000	5500
	NK85/25			85	105	25	69000	123000	5500
	NK85/35			85	105	35	98000	193000	5500
90	RNA4916	4644916	496	90	110	30	81000	170500	5000
	RNA6916	6634916	978	90	110	54	130500	280600	5000
	NK90/35			90	110	30	103000	20800	5000
95	NK95/26			95	115	26	73000	137000	4800
	NK95/36			95	115	36	107000	223000	4800
96		SG-421	496	96	115	29	73000	137000	4600
100	RNA4917	4644917	608	100	120	35	98000	207000	4600
	RNA6917	6634917	1112	100	120	63	161000	337000	4600
	NK100/30			100	120	30			



NK,NKS,RNA 49,
RNA 69(FW ≤ 35mm)

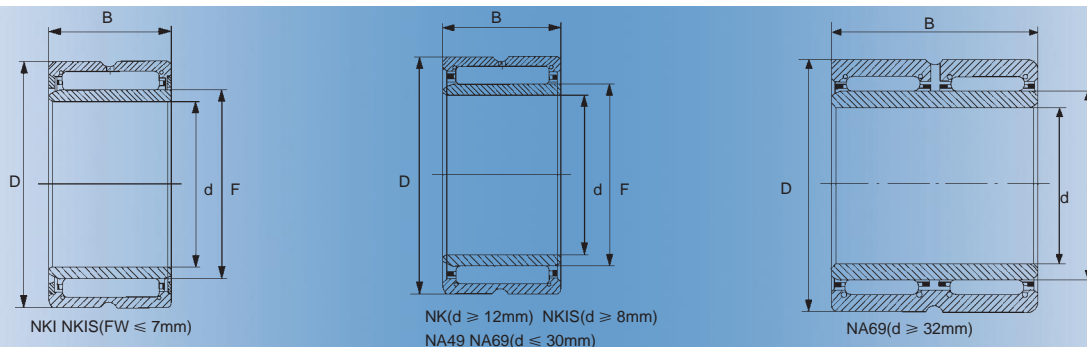


RNA 69(FW ≥ 40mm)

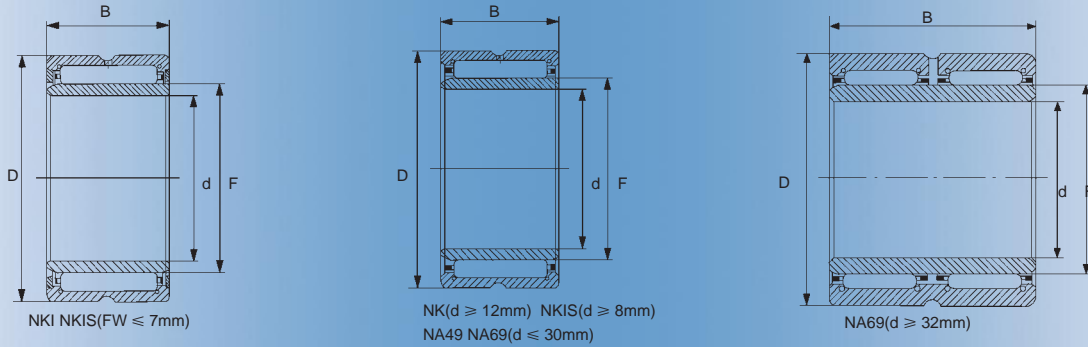
轴径 Shaft Diameter	轴承型号 Bearing Designation		重量 Mass 近似 Approx	外形尺寸 Boundary Dimensions			基本额定负荷 Basic Load Rating		极限转速 Limiting Speed
	现型号 Current Code	原型号 Original Code		Fw	D	C	动 Dynamic	静 Static	油润滑 Oil
mm			g	mm			N		rpm
100	NK100/36			100	120	36	111000	237000	4600
105	RNA4918	4644918	713	105	125	35	98500	239000	4000
	RNA6918	6634918	1250	105	125	63	174000	38000	4000
	NK105/26			105	125	26	78000	155000	4000
	NK105/36			105	125	36	114000	250000	4000
110	RNA4919	4644919	685	110	130	35	112000	245000	3870
	RNA6919	6634919	1325	110	130	63	196000	400000	3870
	NK110/30			110	130	30	98000	21000	4200
	NK110/40			110	130	40	127000	29000	4200
115	RNA4920	4624920	1006	115	140	40	120000	264000	3700
	NK115/12			115	140	12			
	NK115/15			115	140	15			
120	NK120/40			120	140	40			
125	RNA4922	6634922	1200	125	150	40	124000	270000	3300
135	RNA4924	4644924	1760	135	165	45	174000	386000	2900
160	RNA4928	4644928	2350	160	190	50	200000	460000	2900

有内圈滚针轴承

Needle Roller Bearings With Inner Ring



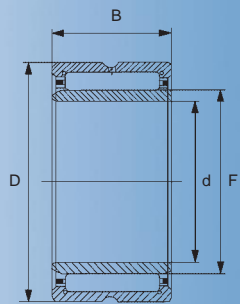
轴径 Shaft Diameter	轴承型号 Bearing Designation		重量 Mass 近似 Approx	外形尺寸 Boundary Dimensions				基本额定负荷 Basic Load Rating		极限转速 Limiting Speed
	现型号 Current Code	原型号 Original Code		d	Fw	D	B	动 Dynamic	静 Static	油润滑 Oil
mm			g	mm				N		rpm
5	NA495		7	5		13	10	2670	2350	34000
	NA495TN		7	5		13	10	2670	2350	34000
6	NA496		9	6		15	10	3150	3000	32000
7	NA497		12	7		17	10	3600	3650	30000
8	NKI 8/16			8	14	25	16	12400	11300	21500
	NA498		16	8		19	11	4300	3950	28000
9	NKI 9/12		16.6	9	12	19	12	6200	7000	21700
	NA499		17	9		20	11	4850	4900	26000
	NKI 9/16		21.9	9		19	16			
10	NKI 10/16		27.3	10	14	22	16	9800	10500	19650
	NA4900	4524900	21	10	14	22	13	8000	9000	23700
	NA6900	6534900	38.4	10	14	22	22	9000	11000	23700
12	NA4901	4524901	25.1	12	16	24	13	9000	10800	20000
	NKI 12/20		39	12	16	24	20	14000	18400	21000
	NA6901	6534901	44.5	12	16	24	22	6000	21600	20000
	NKIS12		58	12	18	30	16	16000	17000	20000
	NA12X32X15V			12		32	15			
15	NKI 15/16		38	15	19	27	16	8800	12800	19100
	NKI 15/20		45.7	15	19	27	20	12300	19000	19100
	NA4902	4924902	32	15	20	28	13	6400	9000	18000
	NA6902	6534902	61.6	15	20	28	23	13100	20900	18000
	NKIS15		90	15	22	35	20	23500	24000	17000
	NA5902		52	15	20	28	18			
	NA153212			15		32	12			
16	74802			15		36	25.4			
	NKIS16			16		28	16	13000	17400	22000
	NA16X36X24			16		36	24			
17	NKI 17/16		41.1	17	21	29	16	13000	18200	20000
	NA4903	4544903	32.8	17	22	30	13	7000	10000	17000
	NA6903	6534903	68.2	17	22	30	23	14400	24900	17000
	NA5903		56	17	22	30	18	15200	21700	18000
	NA17			17		37	20			
20	NKI 20/16		48.5	20	24	32	16	10800	17000	16700
	NA4904	4524904	70.2	20	25	37	17	21000	25000	17000
	NKIS20		119	20	28	42	20	28000	35500	15000
	NA6904	6254904		20	25	37	30	36000	51000	17000
	NA5904			20	25	37	23			
22	NKI 22/16		50	22	26	34	16	15300	23600	17000
	NA49/22		76	22	28	39	17	22000	29500	15000



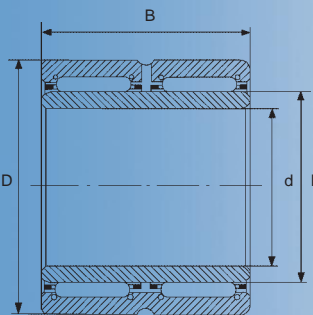
轴径 Shaft Diameter	轴承型号 Bearing Designation		重量 Mass 近似 Approx	外形尺寸 Boundary Dimensions				基本额定负荷 Basic Load Rating		极限转速 Limiting Speed	
	现型号 Current Code	原型号 Original Code		d	Fw	D	B	动 Dynamic	静 Static	油润滑 Oil	
mm			g	mm				N		rpm	
22	NA69/22		130	22	28	39	30	37500	55000	15000	
	NA223934			22	28	39	34				
23	NA2020			23		42	22				
25	NKI 25/30		115	25	29	38	30	31500	56000	14000	
	NA4905	4524905	76	25	30	42	17	23600	31500	14000	
	NA6905	6534905	138	25	30	42	30	29000	59000	14000	
	NKIS25		160	25	32	47	22	32000	55000	13000	
		F-208277			25	32	47	22			
	NKI 25/20			25	29	38	20	21900	34000	15000	
28	NA5905		139	25	30	42	23	30500	43000	13000	
	NA49/28	45449/28	98	28	32	45	17	24000	33500	14000	
	NA69/28		170	28	32	45	30	40500	63000	14000	
30	NKI 28/20			28	32	42	20	23000	37500	14000	
	NA4906	4544906	115	30	35	47	17	25000	35500	13000	
	NA5906	6534906	152	30	35	47	23				
	NA6906			30	35	47	30	43500	71000	13000	
	NKI 30/20			30	35	45	20	24000	42500	13000	
32	NKI 30/30			30	35	45	30	36500	69000	13000	
	NK132/20			32	37	47	20	24900	43900	12000	
		TAFI324720		32	37	47	20	24900	43500	12000	
	NA49/32	45449/32	150	32	40	52	20	24900	43500	12000	
35	NA69/32	66349/32	272	32	40	52	36	100000	100000	11000	
	NKI 35/30		165	35	40	50	30	39000	79000	11000	
	NA4907	4524907	151	35	42	55	20	19800	41500	11000	
	NA6907	6534907	301	35	42	55	36	26000	60500	11000	
	NKIS35		220	35	43	58	22	33000	56000	9500	
40	NA5907		256	35	42	55	27				
	NKI 40/20		124	40	45	55	20	22000	48000	10000	
	NKI 40/30		184	40	45	55	30	35000	86000	10000	
	NA4908	4544908	240	40	48	62	22	42000	65000	8500	
	NA6908		401	40	48	62	40	64000	112000	8500	
42	NA5908		348	40	48	62	30	53000	92500	8500	
	NKI 42/20		138	40	47	57	20	26000	52500	9500	
45	NKI 45/25		218	42	50	62	25	36000	70000	8500	
	NKI 45/35		289	42	50	62	35	41500	102000	8500	
	NA4909	4544909	260	45	52	68	22	37000	96500	8000	
	NA6909	6534909	479	45	52	68	40	61500	123500	8000	
	NKIS45		306	45	55	72	22	43000	71000	7500	
	NA5909		396	45	50	68	30				

有内圈滚针轴承

Needle Roller Bearings With Inner Ring

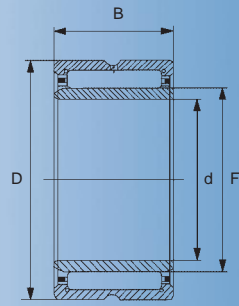


NKI NKIS NA49 NA48

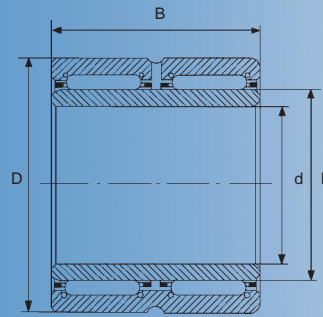


NA69

轴径 Shaft Diameter	轴承型号 Bearing Designation		重量 Mass 近似 Approx	外形尺寸 Boundary Dimensions				基本额定负荷 Basic Load Rating		极限转速 Limiting Speed
	现型号 Current Code	原型号 Original Code		d	Fw	D	B	动 Dynamic	静 Static	油润滑 Oil
mm			g	mm				N		rpm
50	NKI 50/25	TAFI506825	262	50	55	68	25	32000	78000	7500
	NA4910	4544910	264	50	58	72	22	41000	72000	7500
	NA5910			50	58	72	30			
	NA6910	6534910	457	50	58	72	40	68000	135000	7500
	NKIS50		510	50	60	80	28	60000	95000	7500
	NKI 50/35	TAFI506835		50	55	68	35	53000	118000	7500
55	NKI 55/35		357	55	60	72	35	48000	126800	7500
	NA4911	4544911	386	55	63	80	25	50600	96580	7500
	NA5911			55	63	80	34			
	NA6911	6534911	790	55	63	80	45	82560	172000	7500
60	NKI 60/25		388	60	68	82	25	35500	85000	7000
	NA4912	4544912	412	60	68	85	25	52800	110500	6500
	NA5912		614	60	68	85	34			
	NA6912	6534612	798	60	68	85	45	88500	186000	6500
	NKIS60		550	60	70	90	28	65000	110000	6500
65	NA4913	4544913	435	65	72	90	25	57500	110500	6500
	NA6913	6534913	821	65	72	90	45	87600	194500	6500
	NKI 65/25			65	73	90	25	53000	100000	6500
	NKI 65/35			65	73	90	35	75000	156000	6500
70	NA4914	4544914	712	70	80	100	30	79000	154000	5500
	NA6914	6534914	1326	70	80	100	54	121000	263000	5500
	NKI 70/35			70	80	95	35	78000	184000	5500
75	NA4915	4544915	765	75	85	105	30	82000	158000	5500
	NA5915		1130	75	85	105	40			
	NA6915	6534915	1429	75	85	105	54	128000	272000	5500
80	NA4916	4544916	870	80	90	110	30	81000	170500	5500
	NA6916	6534916	1510	80	90	110	54	130500	280600	5000
	NKI 80/35			80	90	110	35	103000	208000	5000
85	NKI 85/26			85	95	115	26	73000	137000	4800
	NKI 85/36		1040	85	95	115	36	107000	223000	4800
	NA4917	4544917	1250	85	100	120	35	111000	237000	4600
	NA6917	6534917	2200	85	100	120	63	166000	400000	4600
90	NKI 90/26			90	100	120	26	26000	146000	4600
	NA4918	4544918	1312	90	105	125	35	114000	250000	4600
	NA6918	6534918	2310	90	105	125	63	172000	425000	4600
95	NA4919	4544919	1371	95	110	130	35	116000	260000	4200
	NA6919	6534919	2500	95	110	130	63	174000	440000	4200
	NKI 95/26			95	105	125	26	78000	115000	4200
	NKI 95/36			95	105	125	36	114000	250000	4200



NKI NKIS NA49 NA48



NA69

轴径 Shaft Diameter	轴承型号 Bearing Designation		重量 Mass 近似 Approx	外形尺寸 Boundary Dimensions				基本额定负荷 Basic Load Rating		极限转速 Limiting Speed 油润滑 Oil
	现型号 Current Code	原型号 Original Code		d	Fw	D	B	动 Dynamic	静 Static	
mm			g	mm				N		rpm
100	NA4920	4544920	1900	100	115	140	40	12000	274000	4000
	NKI100/30			100	110	130	30	98000	210000	4000
110	NA4922	4544922	2070	110	125	150	40	132000	290000	3700
	NA4822		1080	110	120	140	30	94000	216000	3900
120	NA4924	4544924	2860	120	135	165	45	181000	890000	3400
	NA4824		1170	120	130	150	30	99000	239000	3600
130	NA4926	4544926	3900	130	150	180	50	223000	470000	3100
	NA4826		1810	130	145	165	35	118000	310000	3200
140	NA4928	4544928	4150	140	160	190	50	209000	500000	2900
	NA4828		1920	140	155	175	35	120000	325000	3000
150	NA4830		2720	150	165	190	40	152000	400000	2800
160	NA4832		2890	160	175	200	40	160000	435000	2700
170	NA4834		3960	170	185	215	45	185000	510000	2500
180	NA4836		4200	180	195	225	45	194000	550000	2400
190	NA4838		5600	190	210	240	50	227000	690000	2300
200	NA4840		5840	200	220	250	50	230000	720000	2200
220	NA4844		6380	220	240	270	50	243000	790000	2000
240	NA4848		10000	240	265	300	60	355000	1080000	1800
260	NA4852	4524852	11300	260	285	320	60	37000	1160000	1700

常州亚派轴承有限公司 0519-88995562

无内圈或有内圈带密封圈滚针轴承 RNA...RS、RNA...2RS；NK...RS、NK...2RS；NA...RS、NA...2RS；NKI...RS、NKI...2RS 型

无内圈或有内圈带密封圈滚针轴承是实体套圈滚针轴承采用单侧或双侧带合成橡胶密封圈，确保长期润滑作用。

无内圈或有内圈带密封圈滚针轴承
Seal Ring Needle Roller Bearings With Inner Ring or Without Inner Ring

YPB[®]

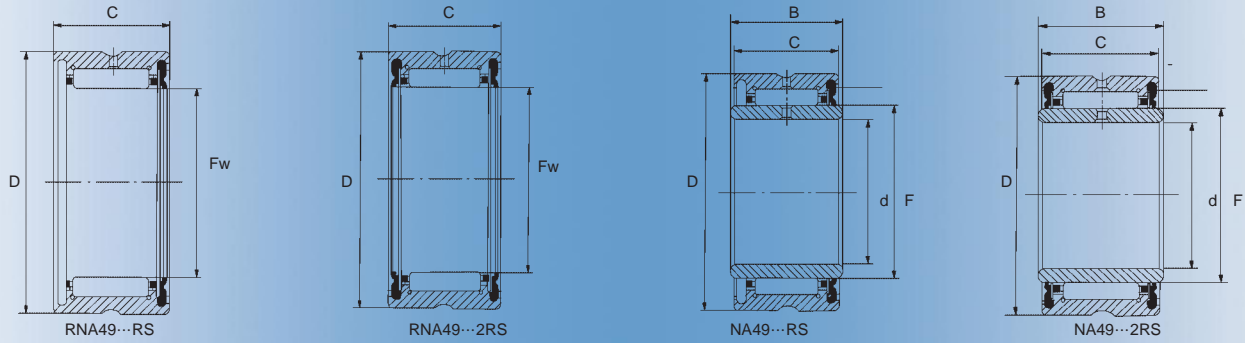


Including the models of RNA...RS, RNA...2RS, NK...RS, NK...2RS; NA...RS, NA...2RS; NKI...RS, NKI...2RS

The seal ring needle roller with inner ring or without inner ring is the solid collar needle roller bearing equipped with single side or double side synthetic rubber seal ring to ensure long-term lubricating function.

无内圈或有内圈的密封圈滚针滚针轴承

Seal Ring Needle Roller Bearings With Inner Ring or Without Inner Ring



轴径 Shaft Diameter	轴承型号 Bearing Designation		重量 Mass 近似 Approx	外形尺寸 Boundary Dimensions					基本额定负荷 Basic Load Rating		极限转速 Limiting Speed
	现型号 Current Code	原型号 Original Code		d	F W F	D	C	B	动 Dynamic	静 Static	油 润 滑 Oil
				mm					N		rpm
无 内 圈 without IR											
14	RNA4900RS	RNA4900-2RS	16	14	22	13		4560	4660	13000	
16	RNA4901RS	RNA4901-2RS	18	16	24	13		4950	5800	12000	
20	RNA4902RS	RNA4902-2RS	21.5	20	28	13		5980	9500	10000	
22	RNA4903RS	RNA4903-2RS	23	22	30	13		6050	10100	9000	
25	RNA4904RS	RNA4904-2RS	56	25	37	17		14900	17500	7500	
30	RNA4905RS	RNA4905-2RS	60	30	42	17		16300	21500	6500	
35	RNA4906RS	RNA4906-2RS	69	35	47	17		20050	24900	5500	
42	RNA4907RS	RNA4907-2RS	107	42	55	20		22500	37000	4800	
48	RNA4908RS	RNA4908-2RS	154	48	62	22		33050	50900	4200	
52	RNA4909RS	RNA4909-2RS	157	52	68	22		34800	56800	3900	
58	RNA4910RS	RNA4910-2RS	160	58	72	22		37800	61500	3500	
有 内 圈											
10	NA4900RS	NA4900-2RS	24.5	10	14	22	13	14	4560	4660	13000
12	NA4901RS	NA4901-2RS	27.5	12	16	24	13	14	4950	5800	12000
15	NA4902RS	NA4902-2RS	37	15	20	28	13	14	5980	9500	10000
17	NA4903RS	NA4903-2RS	40	17	22	30	13	14	6050	10100	9000
20	NA4904RS	NA4904-2RS	80	20	25	37	17	18	14900	17500	7500
25	NA4905RS	NA4905-2RS	89.5	25	30	42	17	18	16300	21500	6500
30	NA4906RS	NA4906-2RS	104	30	35	47	17	18	20050	24900	5500
35	NA4907RS	NA4907-2RS	175	35	42	55	20	21	22500	37000	4800
40	NA4908RS	NA4908-2RS	252	40	48	62	22	23	33050	50900	4200
45	NA4909RS	NA4909-2RS	290	45	52	68	22	23	34800	56800	3900
50	NA4910RS	NA4910-2RS	295	50	58	72	22	23	37800	61500	3500
55	NA4911RS	NA4911-2RS		55		80	24	25			
60	NA4912RS	NA4912-2RS		60		85	25	26			
70	NA4914RS	NA4914-2RS		70		100	31	32			
69 系列											
12	NA6901-2RS	RNA6901-2RS		12	16	24	22	23			
17	NA6903-2RS	RNA6903-2RS		17	22	30	23	24			
20	NA6904-2RS	RNA6904-2RS		20	25	37	30	31			
25	NA6905-2RS	RNA6905-2RS		25	30	42	30	31			
40	NA6908-2RS	RNA6908-2RS		40	48	62	40	41			

常州亚派轴承有限公司 0519-88995562

无挡边无内圈滚针轴承 RNAO 型

该种轴承由于无内圈，适用于径向尺寸受限制的部件中，与其相配的轴径表面直接作为滚动面，故要求其相配的轴径表面硬度不低于 HRC60，表面粗糙度 Ra 值不大于 0.63 除，该种轴承不限制轴或外壳的轴向位移。

无挡边有内圈滚针轴承 NAO 型

外圈、内圈无挡边 NAO 型滚针轴承，该种轴承由于无挡边，因此可分别安装内圈、外圈、全套滚针和保持架，不限制轴或外壳的轴向位移。由于用保持架将滚针隔开，减少了摩擦，所以可用在转速较高的部件中。

无挡边无内圈滚针轴承 RNAO 型

Model RNAO Needle Roller Without Shoulder and Inner Ring

无挡边有内圈滚针轴承 NAO 型

Model NAO Needle Roller Without Shoulder and With Inner Ring

YPB®

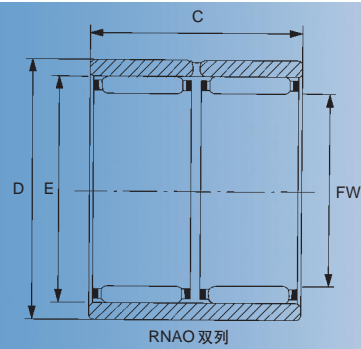
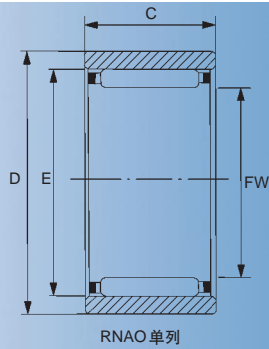


Because of no inner ring, this needle roller bearing is suitable for parts of which the radial size is limited. The surface of shaft journal fitted with it is acted directly as rolling surface. It is requested that the surface hardness of shaft journal be no less than HRC60 and the surface roughness Ra value, no more than 0.63 μ m. This kind of bearing does not limit the axial shift of shaft and housing.

The outer ring and inner ring have no shoulder. For this purpose, inner ring, outer ring, complete set of needles and cage can be mounted respectively. This bearing does not limit the axial shift of shaft and outer housing. Since the cage separates the needles so as to reduce friction. It can be used for the parts with high rotational speed.

无挡边无内圈滚针轴承

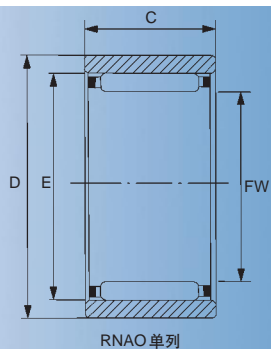
Needle Roller Without Shoulder and Inner Ring



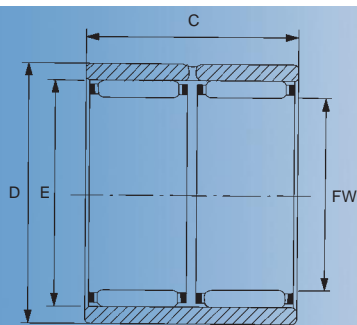
轴径 Shaft Diameter	轴承型号 Bearing Designation	重量 Mass 近似 Approx	外形尺寸 Boundary Dimensions			基本额定负荷 Basic Load Rating		极限转速 Limiting Speed
			FW	D	C	动 Dynamic	静 Static	油 润滑 Oil
mm		g	mm			N		rpm
5	RNAO5 × 10 × 8	2.8	5	10	8	2050	1720	27800
6	RNAO6 × 13 × 8TN	6	6	13	8	2300	1880	30000
	RNAO6 × 12 × 8TN	6	6	12	8	2600	2280	32000
7	RNAO7 × 14 × 8TN	5	7	14	8	2250	1950	31000
	RNAO7 × 14 × 8	7	7	14	8	2850	2650	31000
8	RNAO8 × 15 × 10TN	7.8	8	15	10	3050	3920	28000
	RNAO8 × 19 × 9		8	19	9			
10	RNAO10 × 17 × 10FN	9.1	10	17	10	3960	4500	20000
12	RNAO12 × 19 × 13.5TN	14	12	19	13.5	5400	7500	22000
	RNAO12 × 22 × 12TN	17.9	12	22	12	8950	8000	23000
15	RNAO15 × 23 × 13	18.5	15	23	13	6500	8900	21100
16	RNAO16 × 24 × 13	19.8	16	24	13	6200	8400	21100
	○ RNAO16 × 24 × 20	29.7	16	24	20	10200	14800	21100
	RNAO16 × 28 × 12	29.7	16	28	12	9500	10500	18000
17	RNAO17 × 25 × 13	21	17	25	13	9400	11600	18000
	RNAO17 × 35 × 10		17	35	10			
18	○ RNAO18 × 30 × 24	65	18	30	24	12100	16500	17600
	RNAO18 × 30 × 24K	69	18	30	24	21900	30000	20000
20	RNAO20 × 28 × 13	24.5	20	28	13	7800	9600	16000
	○ RNAO20 × 28 × 26	48.1	20	28	26	10080	20500	16000
	RNAO20 × 32 × 12	36.6	20	32	12	10100	14100	16000
21	RNAO21 × 29 × 30		21	29	30			
22	RNAO22 × 35 × 16	58	22	35	16	10000	15500	16000
	RNAO22 × 30 × 13	27	22	30	13	10400	15900	14000
	RNAO22 × 30 × 26		22	30	26			
25	RNAO25 × 35 × 17	49	25	35	17	10900	22000	15020
	○ RNAO25 × 35 × 26	67.8	25	35	26	12400	25000	15020
	RNAO25 × 37 × 16	59.2	25	37	16	15000	20900	12000
	○ RNAO25 × 37 × 32	108	25	37	32	25000	38900	12000
	RNAO25 × 35 × 16		25	35	16			
26	RNAO26 × 39 × 13	59	26	39	13	87600	10200	15000
28	RNAO28 × 40 × 16		28	40	16			
30	RNAO30 × 40 × 17	59	30	40	17	12600	24000	10500
	○ RNAO30 × 40 × 26	92	30	40	26	16000	32000	10500
	RNAO30 × 42 × 16	49.9	30	42	16	13000	23200	10500
	○ RNAO30 × 42 × 32	126	30	42	32	29500	47000	10500
35	RNAO35 × 45 × 13	50	35	45	13	10200	22000	10000
	○ RNAO35 × 45 × 17	60	35	45	17	17800	24500	10000
	RNAO35 × 45 × 26	88	35	45	26	20500	40000	10000

无挡边无内圈滚针轴承

Needle Roller Without Shoulder and Inner Ring



RNAO单列



RNAO双列

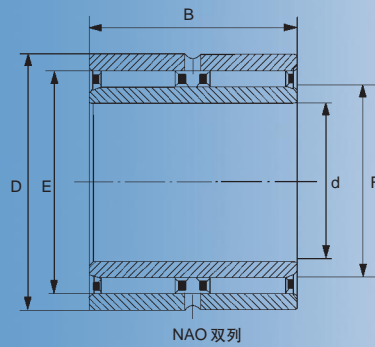
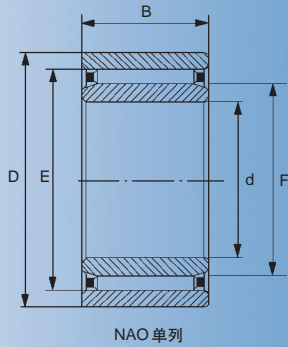
轴径 Shaft Diameter	轴承型号 Bearing Designation	重量 Mass 近似 Approx	外形尺寸 Boundary Dimensions			基本额定负荷 Basic Load Rating		极限转速 Limiting Speed
			FW	D	C	动 Dynamic	静 Static	油 润 滑 Oil
mm		g	mm			N		rpm
35	RNAO35 × 47 × 16	75	35	47	16	20400	31500	10000
	RNAO35 × 47 × 18	86	35	47	18	22500	35000	10000
	○ RNAO35 × 47 × 32	149	35	47	32	32000	55000	10000
	RNAO35 × 47 × 17		35	47	17			
37	RNAO37 × 52 × 18	115	37	52	18	18900	35500	8800
	RNAO37 × 47 × 13		37	47	13			
40	RNAO40 × 50 × 17	72	40	20	17	15400	29880	8800
	○ RNAO40 × 50 × 34	151	40	20	34	25100	57200	11000
	RNAO40 × 55 × 20	144	40	55	20	26300	46100	10000
	○ RNAO40 × 55 × 40	268	40	55	40	54700	87000	10000
42	RNAO42 × 57 × 20	132	42	57	20	26700	43700	10000
45	RNAO45 × 55 × 17	82.5	45	55	17	18000	36000	9000
	○ RNAO45 × 62 × 40	368	45	62	40	42200	85050	9000
50	RNAO50 × 62 × 20	140	50	62	20	20600	46860	7500
	RNAO50 × 65 × 20	162	50	65	20	23200	40540	7000
	○ RNAO50 × 65 × 40	321	50	65	40	39000	80600	7000
55	RNAO55 × 68 × 20	157	55	68	20	22400	52000	6500
60	RNAO60 × 78 × 20	253	60	78	20	28500	65300	5500
	○ RNAO60 × 78 × 40	368	60	78	40	45000	99000	5500
65	RNAO65 × 85 × 30	394	65	85	30	37000	90900	4900
	○ RNAO65 × 85 × 60	464	65	85	60	57000	123000	6500
70	RNAO70 × 90 × 30	488	70	90	20	40000	105000	5100
	○ RNAO70 × 90 × 60		70	90	60			
75	RNAO75 × 95 × 60		75	95	60			
80	RNAO80 × 100 × 30	527	80	100	30	52000	139000	4900
	○ RNAO80 × 95 × 56		80	95	56	52000	139000	4800
	RNAO80 × 100 × 60		80	100	60			
85	RNAO85 × 105 × 25	449	85	105	25	48600	106000	4900
90	RNAO90 × 105 × 26	323	90	105	26	42500	129000	4900
	RNAO90 × 110 × 30	600	90	110	30	58000	129000	4900
100	RNAO100 × 120 × 30	671	100	120	30	58100	152000	4900
130	RNAO130 × 150 × 24		130	150	24	50000	158000	3100

注: ○ 双列。

Note: ○ Double row.

无挡边有内圈滚针轴承

Needle Roller Without Shoulder and With Inner Ring



轴径 Shaft Diameter	轴径型号 Bearing Designation	重量 Mass 近似 Approx	外形尺寸 Boundary Dimensions					基本额定负荷 Basic Load Rating		极限转速 Limiting Speed
			d	D	B	F	E	动 Dynamic	静 Static	油 润滑 Oil
mm		g	mm					N		rpm
6	NAO6 × 17 × 10TN	13	6	17	10	10	13	3950	5000	17080
8	NAO8 × 19 × 10		8	19	10	12	15			
9	NAO9 × 22 × 12TN	22	9	22	12	12	18	8800	7900	12090
12	NAO12 × 24 × 13	29	12	24	13	16	20	8000	16000	15020
	NAO12 × 24 × 20	43	12	24	20	16	20	10300	16800	20000
	NAO12 × 28 × 12	38.6	12	28	12	16	22	9850	10500	19000
15	NAO15 × 28 × 13	27.8	15	28	13	20	24	7800	10300	20600
	NAO15 × 32 × 12	48.1	15	32	12	20	26	10400	14020	20000
17	NAO17 × 30 × 13	39	17	30	13	22	26	9860	15000	20000
	NAO17 × 35 × 16	70	17	35	16	22	29	16800	20050	10090
20	NAO20 × 35 × 17	72	20	35	17	25	29	12600	20200	16000
	NAO20 × 37 × 16	81	20	37	16	25	32	10000	18000	12700
25	NAO25 × 40 × 17	78.9	25	40	17	30	35	10600	24000	10500
	NAO25 × 42 × 16	83	25	42	16	30	37	13100	23500	10500
	NAO25 × 42 × 32	189	25	42	32	30	37	26500	47000	10500
30	NAO30 × 45 × 13	73	30	45	13	35	40	11200	25000	11200
	NAO30 × 45 × 17	100	30	45	17	35	40	12800	28500	11200
	NAO30 × 45 × 26	150	30	45	26	35	40	17500	32900	11200
	NAO30 × 47 × 16	99.8	30	47	16	35	42	14400	17500	11200
	NAO30 × 47 × 18	109	30	47	18	35	42	20000	33000	11200
	NAO30 × 52 × 18	172	30	52	18	37	44	18000	25500	10900
35	NAO35 × 50 × 17	103	35	50	17	40	45	20800	40500	10900
	NAO35 × 55 × 20	175	35	55	20	40	47	28500	41000	10000
	NAO35 × 57 × 20.5	206	35	57	20.5	42	50	26000	49000	10000
40	NAO40 × 55 × 17	118	40	55	17	45	50	12500	36000	9000
	NAO40 × 65 × 20	269	40	65	20	50	58	35000	61200	8000
50	NAO50 × 68 × 20	219	50	68	20	55	60	24500	62000	7500
	NAO50 × 78 × 20	400	50	78	20	60	68	33500	65000	6500
55	NAO55 × 72 × 20		55	72	20	60	65			
65	NAO65 × 95 × 30		65	95	30	75	83			
70	NAO70 × 100 × 30	829	70	100	30	80	88	52600	129000	4000
75	NAO75 × 105 × 25	676	75	105	25	85	93	42000	106000	39000
80	NAO80 × 110 × 30	892	80	110	30	90	98	49000	112000	4200
90	NAO90 × 120 × 30	1004	90	120	30	100	108	51000	128000	3900

有内圈满装滚针轴承该种轴承外圈有油孔，可以从外圈油孔中供油润滑，并带双挡边，内圈无挡边，无保持架，可分别安装内圈、外圈及满装滚针。无内圈满装滚针轴承适用于径向尺寸受限制的部件中，由于无内圈，与配合的轴颈表面直接作为滚动面，要求其表面硬度不低于 HRC60，表面粗糙度 Ra 值不大于 0.63 除，有内圈或无内圈满装滚针轴承该种轴承不限制轴或外壳的轴向位移。

该种轴承由于没有保持架，滚针在旋转时缺少精确地引导，相互摩擦也较大，轴承的极限转速低。

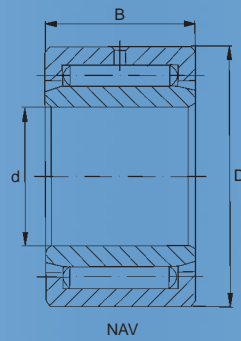
有内圈或无内圈满装滚针轴承 NAV RNAV 型
Model NAV, RNAV Full Complement Needle Roller
Bearing With or Without Inner Ring

YPB[®]



As for the full complement needle roller bearing with inner ring, the outer ring has the oil hole. The lubricating oil can be fed in from the oil hole. The outer ring has the double shoulders. As for the full complement needle roller bearing without inner ring, since the inner ring has no shoulder and cage, the inner ring, outer ring, complete set of needles can be mounted respectively. It is suitable for parts of which the radial size is limited. The surface of shaft journal fitted with it is acted directly as rolling surface. It is requested that the surface hardness be no less than HRC60, surface roughness, no more than 0.63 μ m. This kind of full complement bearing, with inner ring or without inner ring, does not limit the axial shift of shaft and housing.

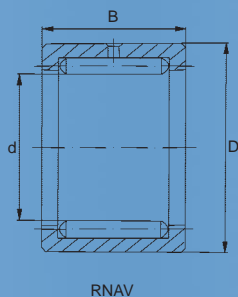
Since this kind of bearing has no cage, the needles rotate without correct guiding, they rub heavily against each other and the bearing has the low limiting rotational speed.



轴径 Shaft Diameter	轴承型号 Bearing Designation		重量 Mass 近似 Approx	外形尺寸 Boundary Dimensions			基本额定负荷 Basic Load Rating		极限转速 Limiting Speed
	现型号 Current Code	原型号 Original Code		d	D	C	动 Dynamic	静 Static	油润滑 Oil
mm			g	mm			N		rpm
15	NAV4902	4074902E		15	28	13			
	NAV4002	4074102	76	15	32	17	10800	29800	4500
		74802	100	15	36	24.5	8900	11200	4400
17	NAV4903	4074903E		17	30	13			
	NAV4003	4074103	98	17	35	18	12000	17000	3400
		74703	126	17	35	24.5	8700	10800	4200
20	NAV4904	4074904E		20	37	17			
	NAV4004	4074104	175	20	42	22	14500	29600	3000
	NAV203620.5			20	36	20.5			
	NAV204			20	47	14			
24	NAV24668.1			24	66	8.1			
25	NAV4905	4074905E		25	42	17			
	NAV4005	4074105	201	25	47	22	23000	34600	2600
	NAV205			25	52	15			
30	NAV4906	4074906E		30	47	17			
	NAV4006	4074106	311	30	55	25	25800	46900	2000
35	NAV4907	4074907E		35	55	20			
	NAV4007	4074107	418	35	62	27	33000	59900	1800
40	NAV4908	4074908E		40	62	22			
	NAV4008	4074108	498	40	68	28	35900	67000	1700
45	NAV4909	4074909E		45	68	22			
	NAV4009	4074109	637	45	75	30	41000	74000	1500
50	NAV4910	4074910E		50	72	22			
	NAV4010	4074110	702	50	80	30	42800	88900	1400
55	NAV4911	4074911	1030	55	90	35	48900	109000	1300
60	NAV4912	4074912E		60	85	25			
	NAV4012	4074112	1125	60	95	35	50700	116000	1100
65	NAV4013	4074113	1200	65	100	35	59800	126000	1000
70	NAV4914	4074914E		70	100	30			
	NAV4014	4074114	1700	70	110	40	72400	155000	950
75	NAV4015	4074115	1810	75	115	40	7280	1800	900
80	NAV4916	4074916E		80	110	30			
	NAV4016	4074116	2470	80	125	45	76000	195000	850
85	NAV4017	4074117	2580	85	130	45	74000	192000	800
90	NAV4918	4074918E	1507	90	125	35			
95	NAV4919	4074919E	1537	95	130	35			
100	NAV4920	4074920E	2240	100	140	40			
160	NAV4832	4074832		160	200	40			
190	NAV190 × 245 × 42			190	245	42			

无内圈满装滚针轴承

Full Complement Needle Roller Bearings Without Inner Ring



轴径 Shaft Diameter	轴承型号 Bearing Designation		重量 Mass 近似 Approx	外形尺寸 Boundary Dimensions			基本额定负荷 Basic Load Rating		极限转速 Limiting Speed
	现型号 Current Code	原型号 Original Code		FW	D	C	动 Dynamic	静 Static	油 润 滑 Oil
mm			g	mm			N		rpm
20	RNAV4902	4084902E		20	28	13	10800	29800	4500
21.87	RNAV4002	4084102	45	21.87	32	17			
22	RNAV4903	4084903E		22	30	13			
24.3	RNAV4003	4084103	62	24.3	35	18	17900	37900	4300
25	RNAV4904	4084904E		25	37	17			
28.7	RNAV4004	4084104	114	28.7	42	22	28150	60900	3900
30	RNAV4905	4084905E		30	42	17			
33.5	RNAV4005	4084105	129	33.5	47	22	33800	70800	3700
35	RNAV4906	4084906E		35	47	17			
40.1	RNAV4006	4084106	193	40.1	55	25	49900	96500	3500
42	RNAV4907	4084907E		42	55	20			
45.9	RNAV4007	4084107	259	45.9	62	27	47600	122800	3100
48	RNAV4908	4084908E		48	62	22			
51.6	RNAV4008	4084108	304	51.6	68	28	49900	137900	2700
52	RNAV4909	4084909E		52	68	22			
57.4	RNAV4009	4084109	390	57.4	75	30	52500	153500	2600
58	RNAV4910	4084910E		58	72	22			
62.1	RNAV4010	4084110	426	62.1	80	30	55700	166000	2500
69.8	RNAV4011	4084111	645	69.8	90	35	68500	225800	2300
68	RNAV4912	4084912E		68	85	25			
74.6	RNAV4012	4084112	677	74.6	95	35	75400	239000	2100
80.3	RNAV4013	4084113	692	80.3	100	35	79500	256900	1900
80	RNAV4914	4084914E		80	100	30			
88	RNAV4014	4084114	950	88	110	40	98800	354900	1700
93.7	RNAV4015	4084115	1000	92.7	115	45	101800	372900	1600
90	RNAV4916	4084916E		90	110	30			
100.3	RNAV4016	4084116	1400	100.3	125	45	102900	373500	1500
104.8	RNAV4017	4084117	1540	104.8	130	45	103800	374800	1400
105	RNAV4918	4084918E		105	125	35			
110	RNAV4919	4084919E		110	130	35			
115	RNAV4920	4084920E		115	140	40			

常州亚派轴承有限公司 0519-88995562

圆柱滚子轴承是由轴承内圈和外圈与挡边引导的圆柱滚子带保持架组成的完整单元。圆柱滚子轴承通常以挡边不同来区分，本公司生产的圆柱滚子轴承有N、NU、NJ、NUP、NF型和带止动环的NUP...N、NUP...NR型圆柱滚子轴承。

该类轴承具有高刚度，一般只用来承受径向负荷、载荷容量大。除满装滚子轴承外，均采用高刚性保持架，能够正确的引导滚子平行于轴线。



圆柱滚子轴承
Cylindrical Roller Bearing

The cylindrical roller bearing is composed of inner ring and roller guided by shoulder and with cage. The cylindrical roller is generally differentiated in accordance with the different shoulders. The cylindrical roller bearings made by our company include Model N, NU, NJ, NUP, NF and Model NUP...N, NUPN...NR with snap ring.

This kind of bearings has a high rigidity and high load carrying capacity, generally only withstanding the radial load. Except the full complement needle roller bearing, the bearings are equipped with high rigid cage correctly to guide the roller parallel to axis line.

圆柱滚子轴承的各种结构是以挡边的不同来区分的。NU型圆柱滚子轴承，其外圈上有两个挡边和一个无挡边的内圈。N型圆柱滚子轴承，其内圈有两个挡边而外圈无挡边。NU、N型圆柱滚子轴承都是游动轴承，内外圈是可以分离的，便于安装和拆卸。NJ型轴承外圈上有双挡边，内圈上有单挡边；NF型轴承则是内圈上有双挡边，外圈上有单挡边，它们可以承受单向的轴向力。NUP型圆柱滚子轴承作为固定轴承，可以承受交变方向的轴向力，这种轴承外圈有双挡边和一个挡圈。

圆柱滚子轴承 Cylindrical Roller Bearing

YPB®

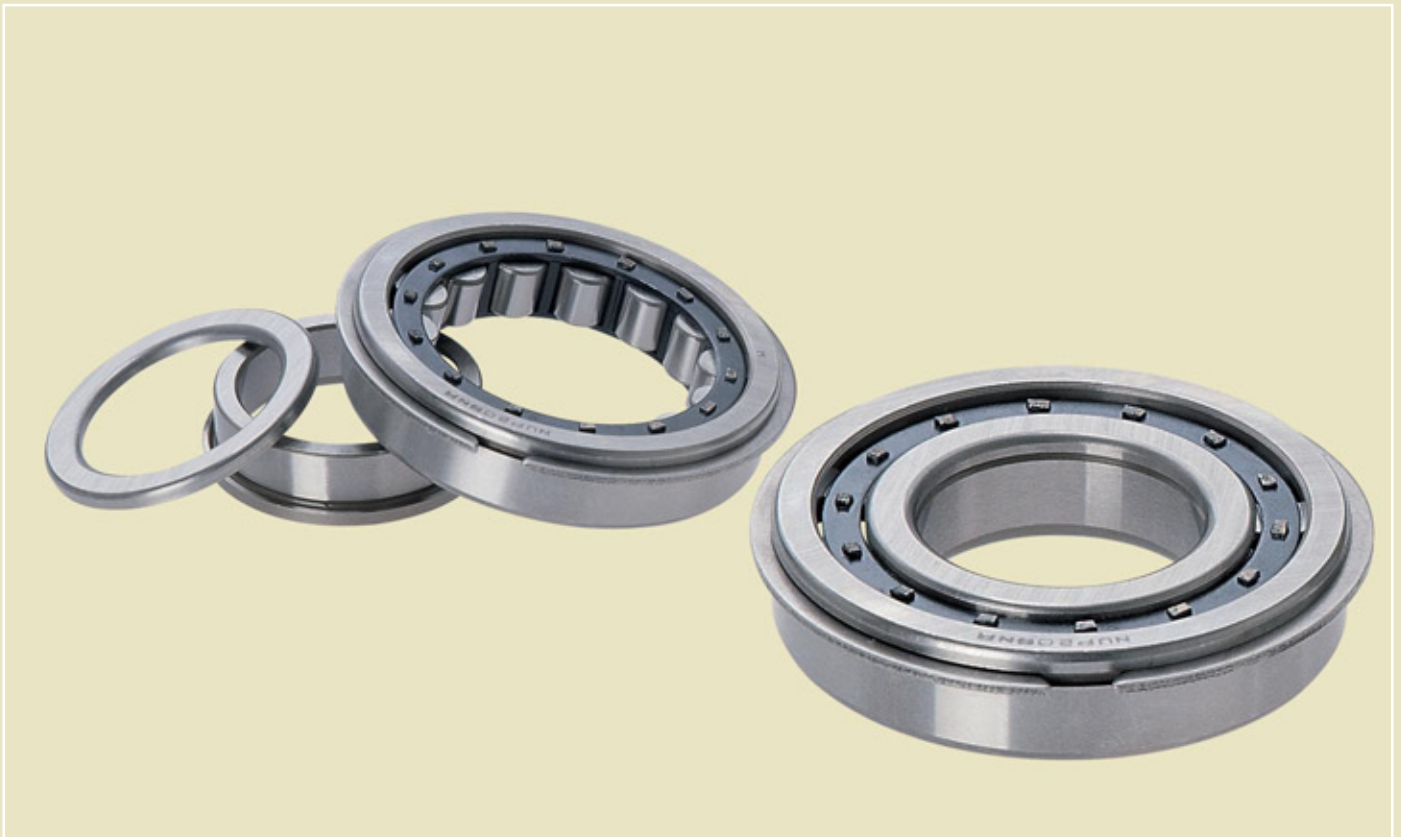


The structure of cylindrical roller bearing is distinguished in accordance with the different shoulders. Model NU cylindrical roller bearing has the outer ring with two shoulders and one inner ring without shoulder. As for Model N cylindrical roller bearing, the inner ring has two shoulders and the outer ring has no shoulder. Model NU, N cylindrical roller bearings are running bearings. The inner ring and outer ring can be separated conveniently for mounting and dismounting. As for Model NJ cylindrical roller bearing, the outer ring has double shoulders and the inner ring has single shoulder. As for Model NF cylindrical roller bearing, the inner ring has double shoulder and the outer has single shoulder, they can withstand the single-directional axial force. Model NUP cylindrical roller bearing is used as fixing bearing, withstanding the alternate directional axial force. The outer ring of it has double shoulder and one baffle ring.

带止动环圆柱滚子轴承 NUP...N、NUP...NR 型。外圈有止动槽，内圈有单挡边带平挡圈的圆柱滚子轴承，是 NUP 型轴承在外圈上加一个止动环槽的变型，可简化轴承在外壳孔内的轴向紧固，外壳孔可做成通孔，从而缩小了部件的轴向尺寸。

带止动环圆柱滚子轴承 Cylindrical Roller Bearings With Snap Ring

YPB[®]

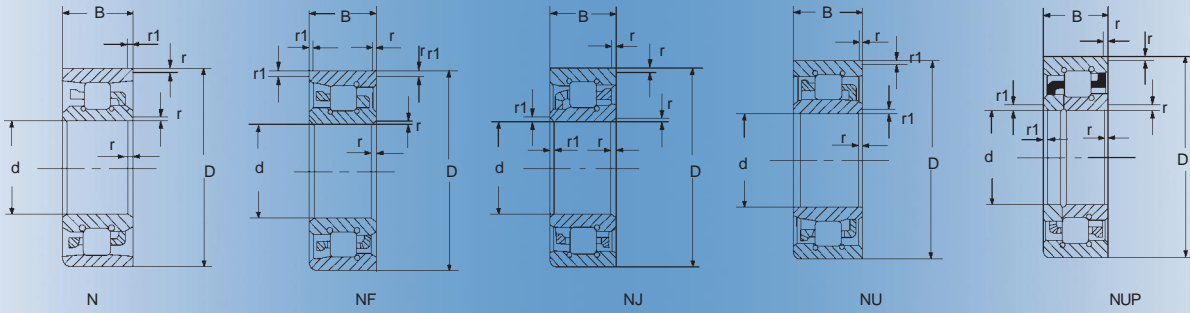


Model NUP...N, NUP...NR cylindrical roller bearings with snap ring,

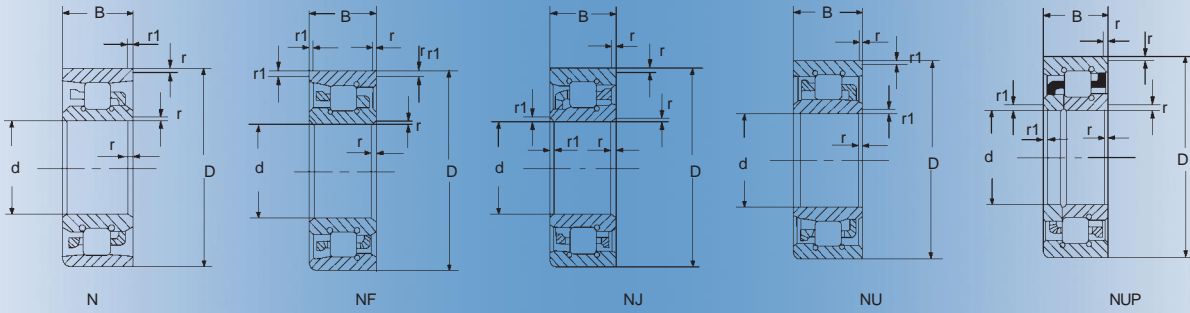
The cylindrical roller bearing with the outer ring with a stop slot in the inner ring and single-shoulder and flat baffle ring in the inner ring is the modified type with Model NUP bearing adding a stop slot. It can simplify the axial fastening of bearing in housing bore. Because of through hole in outer housing, the axial size can be reduced.

圆柱滚子轴承

Cylindrical Roller Bearings



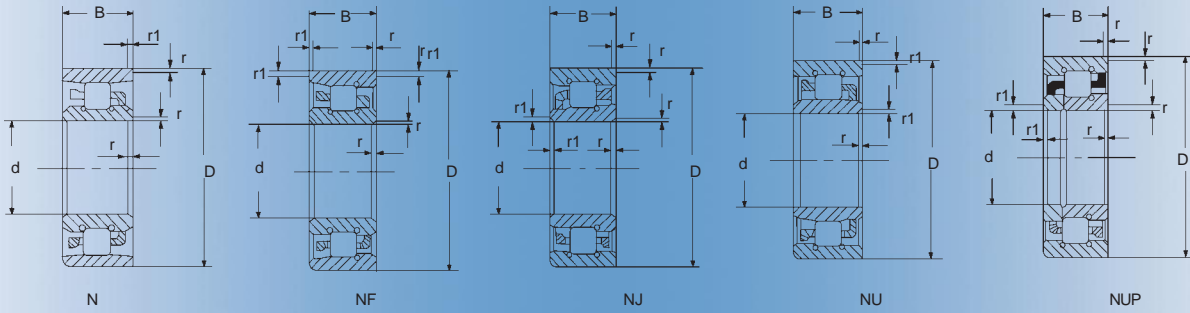
轴径 Shaft Diameter	轴承型号 Bearing Designation		重量 Mass 近似 Approx	外形尺寸 Boundary Dimensions			基本额定负荷 Basic Load Rating		极限转速 Limiting Speed	
	现型号 Current Code	原型号 Original Code		d	D	B	动 Dynamic	静 Static	脂润滑 Grease	油润滑 Oil
	mm			kg	mm			N		rpm
15	NU202EP		0.060	15	35	11	7960	6640		
	NJ202ECP			15	35	11	7960	6640		
17	NJ203			17	40	12	17300	12900		
	NJ203ECP			17	40	12	17300	12900		
	NJ203TVP3			17	40	12	17300	12900		
	NJ203ECP(K)			17	40	12	17300	12900		
	NU303ECP			17	47	14	22400	18000		
20	NJ204			20	47	14	16600	13900	17000	20000
	NJ204ECP		0.135	20	47	14	16600	13900	17000	20000
	NU204E		0.122	20	47	14	16600	13900	17000	20000
	NUP204ECP		0.140	20	47	14	16600	13900	17000	20000
	NJ204EM	42204EH		20	47	14	16600	13900	17000	20000
	NJ204ETVP3			20	47	14	16600	13900	17000	20000
	NJ2204E		0.158	20	47	18	30500	28300	14000	16000
25	N205E	2205E	0.148	25	52	15	27500	26800	11000	14000
	N205EM	2205EH	0.155	25	52	15	27500	26800	11000	14000
	NF205E	12205E	0.148	25	52	15	27500	26800	11000	14000
	NF205EM	12205EH	0.155	25	52	15	27500	26800	11000	14000
	NU205E	32205E	0.148	25	52	15	27500	26800	11000	14000
	NU205EM	32205EH	0.155	25	52	15	27500	26800	11000	14000
	NJ205ECP		0.148	25	52	15	27500	26800	11000	14000
	NJ205EM	42205EH	0.155	25	52	15	27500	26800	11000	14000
	NUP205E	92205E	0.148	25	52	15	27500	26800	11000	14000
	NUP205EM	92205EH	0.155	25	52	15	27500	26800	11000	14000
	NU205EV	32205EK	0.151	25	52	15	3000	33800	9000	11000
	N2205EM	2505EH	0.168	25	52	18	23700	22800	10000	14000
	NF2205EM	2505EH	0.168	25	52	18	23700	22800	10000	14000
	NJ2205EP		0.168	25	52	18	23700	22800	10000	14000
	NJ2205E	42505E	0.168	25	52	18	23700	22800	10000	14000
	NJ2205EJ		0.168	25	52	18	23700	22800	10000	14000
30	NF305EM	12305		25	62	17				
	NUP305EN	192305E		25	62	17				
	NJ2305EM	42605EH	0.4	25	62	24	42700	40900	9000	12000
	N206E	2206E	0.22	30	62	16	3600	35600	8500	11000
	N206EM	2206EH	0.24	30	62	16	3600	35600	8500	11000
	NF206E	12206E	0.22	30	62	16	3600	35600	8500	11000
	NF206EM	12206EH	0.24	30	62	16	3600	35600	8500	11000
	NU206E	32206E	0.22	30	62	16	3600	35600	8500	11000
NU206EM	32206EH	0.24	30	62	16	3600	35600	8500	11000	



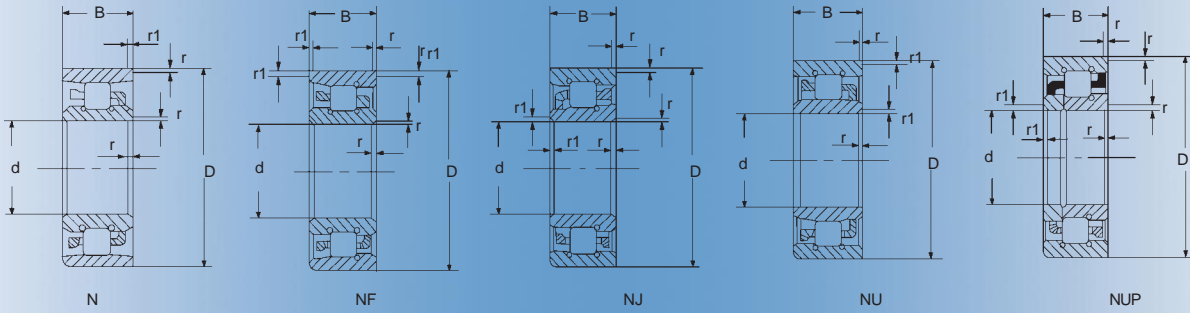
轴径 Shaft Diameter	轴承型号 Bearing Designation		重量 Mass 近似 Approx	外形尺寸 Boundary Dimensions			基本额定负荷 Basic Load Rating		极限转速 Limiting Speed	
	现型号 Current Code	原型号 Original Code		d	D	B	动 Dynamic	静 Static	脂润滑 Grease	油润滑 Oil
	mm	kg		mm			N		rpm	
30	NJ206E	42206E	0.22	30	62	16	36000	35600	8500	11000
	NJ206EM	42206EH	0.24	30	62	16	36000	35600	8500	11000
	NJ206ECP		0.24	30	62	16	36000	35600	8500	11000
	NUP206MRS		0.24	30	62	16	36000	35600	8500	11000
	NJ206EV	42206EK	0.23	30	62	16	39500	45100	7800	10000
	N306E	2306E	0.38	30	72	19	49200	48200	8000	10000
	N306EM	2306EH	0.41	30	72	19	49200	48200	8000	10000
	NF306E	12306E	0.38	30	72	19	49200	48200	8000	10000
	NF306EM	12306EH	0.41	30	72	19	49200	48200	8000	10000
	NU306E	32306E	0.38	30	72	19	49200	48200	8000	10000
	NU306EM	32306EH	0.41	30	72	19	49200	48200	8000	10000
	NJ306E	42306E	0.38	30	72	19	49200	48200	8000	10000
	NJ306EM	42306EH	0.41	30	72	19	49200	48200	8000	10000
	NU306E	32606E	0.529	30	72	27				
	NU2306EM	32606EH		30	72	27				
	NUP306EM	92306EH	0.41	30	72	19	49200	48200	8000	10000
	NU2206ECP		0.270	30	62	20	23900	33100	7500	11000
	NJ2206ECP		0.270	30	62	20	23900	33100	7500	11000
	NU2206X2E	32506E		30	72	20				
	NJ2206EM	42506EH	0.3	30	62	20	23900	33100	7500	11000
NUP2206EM	92506EH	0.3	30	62	20	23900	33100	7500	11000	
N2306EM	2606EH	0.6	30	72	27	51400	50800	8000	10000	
NJ2306EM	42606EH	0.6	30	72	27	51400	50800	8000	10000	
NUP2306EV	92606EK	0.6	30	72	27	56005	66000	7300	9000	
35	N207E	2207E	0.344	35	72	17	46500	48000	7500	9500
	N207EM	2207EH	0.36	35	72	17	46500	48000	7500	9500
	NU207		0.344	35	72	17	46500	48000	7500	9500
	NF207EM	12207EH	0.36	35	72	17	46500	48000	7500	9500
	NU207ECP(K)	32207E	0.297	35	72	17	46500	48000	7500	9500
	NU207EM	32207EH	0.36	35	72	17	46500	48000	7500	9500
	NJ207E	42207E	0.344	35	72	17	46500	48000	7500	9500
	NJ207EM	42207EH	0.36	35	72	17	46500	48000	7500	9500
	NUP207E	92207E	0.344	35	72	17	46500	48000	7500	9500
	NUP207EM	92207EH	0.36	35	72	17	46500	48000	7500	9500
	N307E	2307E	0.49	35	80	21	62000	63200	7000	9000
	N307EM	2307EH	0.54	35	80	21	62000	63200	7000	9000
	NF307E	12307E	0.49	35	80	21	62000	63200	7000	9000
	NF307EM	12307EH	0.54	35	80	21	62000	63200	7000	9000
	NU307E	3230E	0.49	35	80	21	62000	63200	7000	9000

圆柱滚子轴承

Cylindrical Roller Bearings



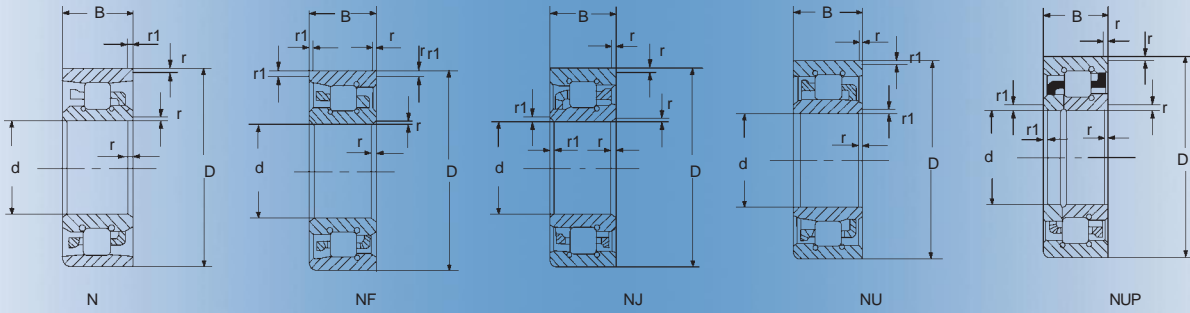
轴径 Shaft Diameter	轴承型号 Bearing Designation		重量 Mass 近似 Approx	外形尺寸 Boundary Dimensions			基本额定负荷 Basic Load Rating		极限转速 Limiting Speed	
	现型号 Current Code	原型号 Original Code		d	D	B	动 Dynamic	静 Static	脂润滑 Grease	油润滑 Oil
	mm	kg		mm			N		rpm	
35	NU307EM	32307EH	0.54	35	80	21	62	63.2	7000	9000
	NJ307EM	42307E	0.49	35	80	21	62	63.2	7000	9000
	NJ307E	42307EH	0.54	35	80	21	62	63.2	7000	9000
	NUP307E	92307E	0.49	35	80	21	62	63.2	7000	9000
	NUP307EM	92307EH	0.54	35	80	21	62	63.2	7000	9000
	NJ307EV	42307EK	0.50	35	80	21	78	81	6100	7400
	NUP307ENV	192307EK	0.50	35	80	21	78	81	6100	7400
	NCL307YA		0.49	35	80	21	62	63.2	7000	9000
	NUP2207EC		0.45	35	72	23	49	51.2	6500	9500
	NU2207ECP		0.45	35	72	23	49	51.2	6500	9500
	NU2207EM	32507EH	0.45	35	72	23	49	51.2	6500	9500
	NJ2207EM	42507EH	0.45	35	72	23	49	51.2	6500	9500
	NUP2207EM	92507EH	0.45	35	72	23	49	51.2	6500	9500
	NJ307E	42307E	0.562	35	80	21				
	NJ2307EM	42607EH	0.9	35	80	31	64.4	65.7	7000	9000
NUP2307EM	92607EH	0.9	35	80	31	64.4	65.7	7000	9000	
40	N208E	2208E	0.39	40	80	18	51.5	53	7000	9000
	N208EM	2208EH	0.44	40	80	18	51.5	53	7000	9000
	NF208E	12208E	0.39	40	80	18	51.5	53	7000	9000
	NF208EM	12208EH	0.44	40	80	18	51.5	53	7000	9000
	NU208E	32208W	0.39	40	80	18	51.5	53	7000	9000
	NU208EM	32208EH	0.44	40	80	18	51.5	53	7000	9000
	NJ208E	42208E	0.39	40	80	18	51.5	53	7000	9000
	NJ208EM	42208EH	0.44	40	80	18	51.5	53	7000	9000
	NUP208ECP		0.394	40	80	18	51.5	53	7000	9000
	NUP208ECNR		0.39	40	80	18	51.5	53	7000	9000
	N308E	2308E	0.65	40	90	23	76.8	77.8	6300	8000
	N308EM	2308EH	0.71	40	90	23	76.8	77.8	6300	8000
	NF308E	12308E	0.75	40	90	23	76.8	77.8	6300	8000
	NF308EM	12308EH	0.71	40	90	23	76.8	77.8	6300	8000
	NU308ECPC3		0.664	40	90	23	76.8	77.8	6300	8000
	NU308EM	32308EH	0.71	40	90	23	76.8	77.8	6300	8000
	NJ308E	42308E	0.726	40	90	23	76.8	77.8	6300	8000
	NJ308EM	42308EH	0.71	40	90	23	76.8	77.8	6300	8000
	NUP308E	92308E	0.65	40	90	23	76.8	77.8	6300	8000
	NUP308EM	92308EH	0.71	40	90	23	76.8	77.8	6300	8000
NUP308EN	192308E	0.65	40	90	23	76.8	77.8	6300	8000	
NUP308ENV	192308EV	0.70	40	90	23	97	101	5900	7000	
N2208EM	2508EH	0.49	40	80	23	58.3	62	6000	9000	



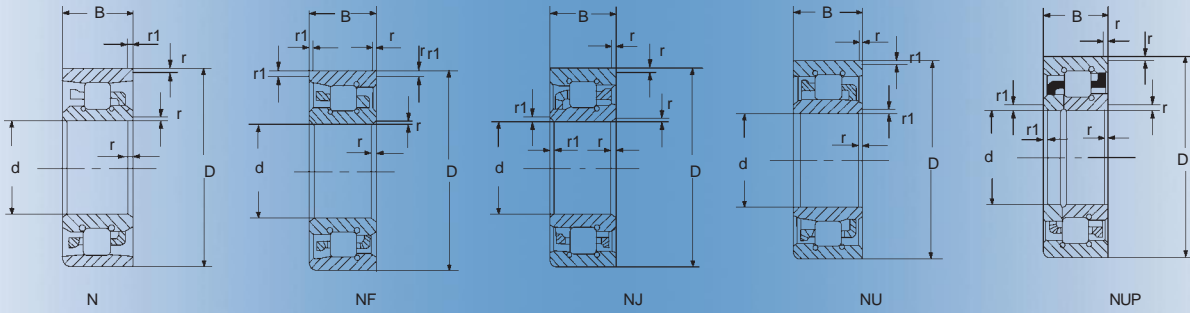
轴径 Shaft Diameter	轴承型号 Bearing Designation		重量 Mass 近似 Approx	外形尺寸 Boundary Dimensions			基本额定负荷 Basic Load Rating		极限转速 Limiting Speed	
	现型号 Current Code	原型号 Original Code		d	D	B	动 Dynamic	静 Static	脂润滑 Grease	油润滑 Oil
	mm	kg		mm			N		rpm	
40	NF2208EM	12508EH	0.49	40	80	23	58.3	62	6000	9000
	NU2208M	32508H	0.53	40	80	23	58.3	62	6000	9000
	NJ2208EM	42508EH	0.49	40	80	23	58.3	62	6000	9000
	NUP2208EM	92508EH	0.49	40	80	23	58.3	62	6000	9000
	NUP2208EV	92508EK		40	80	23	84.7	95	6000	7400
	NU2308EM	32606EH	1.1	40	90	33	82.2	88	6300	8000
	NJ2308EM	42606EH	1.1	40	90	33	82.2	88	6300	8000
	NUP2308EM	92606EH	1.1	40	90	33	82.2	88	6300	8000
45	NJ1009ECM			45	75	16				
	NU209N		0.44	45	85	19	58.5	63.8	6300	8000
	NF209E	12209E	0.52	45	85	19	58.8	63.8	6300	8000
	NF209EM	12209EH	0.53	45	85	19	58.5	63.8	6300	8000
	NU209E	32209E	0.52	45	85	19	58.5	63.8	6300	8000
	NU209EM	32209EH	0.53	45	85	19	58.5	63.8	6300	8000
	NJ209ECP			45	85	19	58.5	63.8	6300	8000
	NJ209EM	42209EH	0.53	45	85	19	58.5	63.8	6300	8000
	NU2209ECP		0.567	45	85	23				
	NJ2209ECP			45	85	23				
	NU309ECP		0.938	45	100	25				
	NU309EN		0.95	45	100	25				
	NF309E	12309E	0.95	45	100	45	93	98	5600	7000
	NF309EM	12309EH	0.98	45	100	45	93	98	5600	7000
	NU309E	32309E	0.95	45	100	45	93	98	5600	7000
	NU309EM	32309EH	0.98	45	100	45	93	98	5600	7000
	NJ309E	42309E	0.95	45	100	45	93	98	5600	7000
	NJ309EM	42309EH	0.98	45	100	45	93	98	5600	7000
	NUP309E	92309E	0.95	45	100	45	93	98	5600	7000
	NUP309EM	92309EH	0.98	45	100	45	93	98	5600	7000
	NUP309EN	192309E	0.95	45	100	45	93	98	5600	7000
	NUP309ENV	192309EK	0.97	45	100	45	104	121	5000	6100
	NJ309EV	42309EK	0.97	45	100	45	104	121	5000	6100
	N2209EM	2509EH	0.54	45	85	23	61.4	67.8	5300	8000
	NF2209EM	12509EH	0.54	45	85	23	61.4	67.8	5300	8000
	NU2209EM	32509EH	0.54	45	85	23	61.4	67.8	5300	8000
	NJ2209EM	42509EH	0.54	45	85	23	61.4	67.8	5300	8000
	NUP2209EM	92509EH	0.54	45	85	23	61.4	67.8	5300	8000
	N2309EM	2609EH	0.51	45	100	36	106	113	5600	7000
	NU2309EM	32609EH	1.51	45	100	36	106	113	5600	7000
	NJ2309EM	42609EH	1.51	45	100	36	106	113	5600	7000

圆柱滚子轴承

Cylindrical Roller Bearings



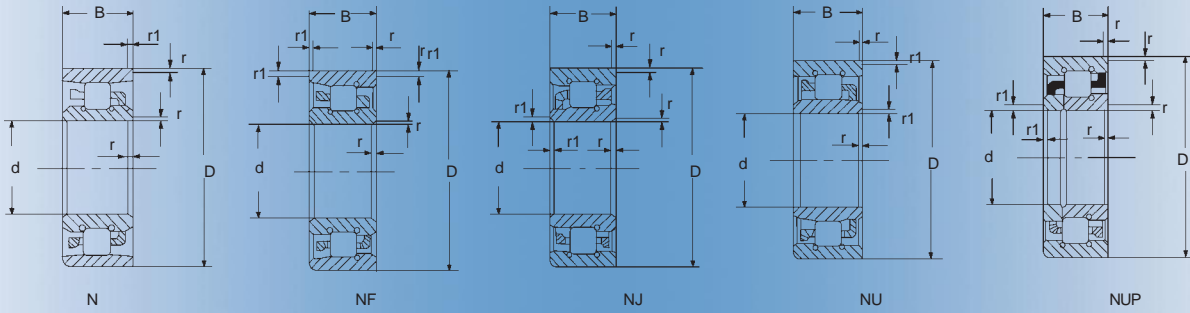
轴径 Shaft Diameter	轴承型号 Bearing Designation		重量 Mass 近似 Approx	外形尺寸 Boundary Dimensions			基本额定负荷 Basic Load Rating		极限转速 Limiting Speed	
	现型号 Current Code	原型号 Original Code		d	D	B	动 Dynamic	静 Static	脂润滑 Grease	油润滑 Oil
	mm			kg	mm			N		rpm
45	NUP2309EM	92609EH	1.51	45	100	36	106	113	5600	7000
50	N210E	2210E	0.56	50	90	20	61.2	69.2	6000	7500
	N210EM	2210EH	0.58	50	90	20	61.2	69.2	6000	7500
	NF210E	12210E	0.56	50	90	20	61.2	69.2	6000	7500
	NF210EM	12210EH	0.58	50	90	20	61.2	69.2	6000	7500
	NU210E	32210E	0.56	50	90	20	61.2	69.2	6000	7500
	NU210EM	32210EH	0.58	50	90	20	61.2	69.2	6000	7500
	NJ210E/C3		1.53	50	90	20				
	NJ210ECP			50	90	20				
	NUP210E	92210E	0.56	50	90	20	61.2	69.2	6000	7500
	NUP210EM	92210EH	0.58	50	90	20	61.2	69.2	6000	7500
	NUP210EN	192210E	0.56	50	90	20	61.2	69.2	6000	7500
	N310E	2310E	1.2	50	110	27	105	112	5300	6700
	N310EM	2310EH	1.31	50	110	27	105	112	5300	6700
	NF310E	12310E	1.2	50	110	27	105	112	5300	6700
	NF310EM	12310EH	1.31	50	110	27	105	112	5300	6700
	NU310E	32310E	1.2	50	110	27	105	112	5300	6700
	NU310EM	32310EH	1.31	50	110	27	105	112	5300	6700
	NJ310E	42310E	1.2	50	110	27	105	112	5300	6700
	NJ310EM	42310EH	1.31	50	110	27	105	112	5300	6700
	NUP210E	92310E	1.2	50	110	27	105	112	5300	6700
	NUP210EM	92310EH	1.31	50	110	27	105	112	5300	6700
	NJ310EV	42310EK	1.21	50	110	27	128	144	5000	6000
	NUP310EN	192310E	1.2	50	110	27	105	112	5300	6700
	NUP310ENV	192310EK	1.21	50	110	27	128	144	5000	6000
	N2210EM	2510EH	0.65	50	90	23	64.2	73.6	5000	7500
	NF2210EM	12510EH	0.65	50	90	23	64.2	73.6	5000	7500
	NU2210EM	32510EH	0.65	50	90	23	64.2	73.6	5000	7500
	NJ2210EM	42510EH	0.65	50	90	23	64.2	73.6	5000	7500
	NUP2210EM	92510EH	0.65	50	90	23	64.2	73.6	5000	7500
	N2301EM	2610EH	2.01	50	110	40	128	142	5300	6700
	NU2310EM	32610EH	2.01	50	110	40	128	142	5300	6700
	NJ2310EM	42610EH	2.01	50	110	40	128	142	5300	6700
NUP211ECP				50	100	21				
55	NJ1011ECP			55	90	18				
	N211E	2211E	0.62	55	100	21	80.2	95.5	5300	6700
	NF211E	12211E	0.62	55	100	21	80.2	95.5	5300	6700
	NF211EM	12211EH	0.63	55	100	21	80.2	95.5	5300	6700
	NU21E	32211E	0.62	55	100	21	80.2	95.5	5300	6700



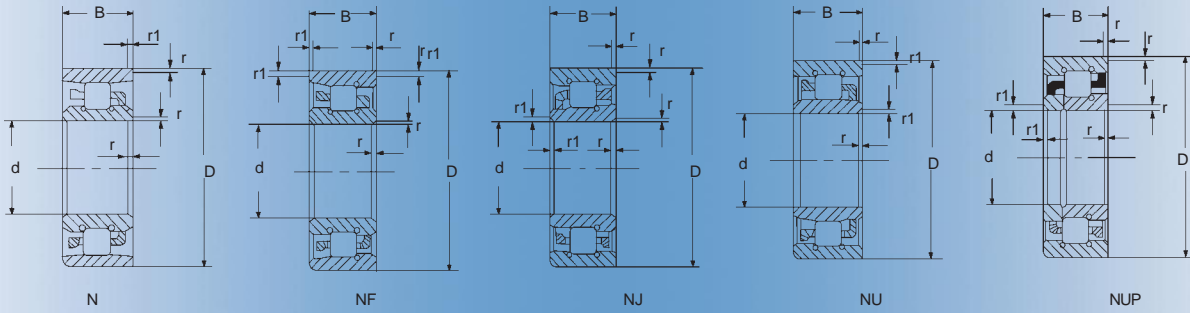
轴径 Shaft Diameter	轴承型号 Bearing Designation		重量 Mass 近似 Approx	外形尺寸 Boundary Dimensions			基本额定负荷 Basic Load Rating		极限转速 Limiting Speed	
	现型号 Current Code	原型号 Original Code		d	D	B	动 Dynamic	静 Static	脂润滑 Grease	油润滑 Oil
	mm	kg		mm			N		rpm	
55	NU211EM	32211EH	0.63	55	100	21	80.2	95.5	5300	6700
	NJ211E	42211E	0.62	55	100	21	80.2	95.5	5300	6700
	NJ211EM	42211EH	0.63	55	100	21	80.2	95.5	5300	6700
	NUP211E	92211E	0.62	55	100	21	80.2	95.5	5300	6700
	NUP211EM	92211EH	0.63	55	100	21	80.2	95.5	5300	6700
	N311E	2311E	1.61	55	120	29	128	138	4800	6700
	N311EM	2311EH	1.7	55	120	29	128	138	4800	6000
	NF311E	12311E	1.61	55	120	29	128	138	4800	6000
	NF311EM	12311EH	1.7	55	120	29	128	138	4800	6000
	NU311E	32311E	1.61	55	120	29	128	138	4800	6000
	NU311EM	32311EH	1.7	55	120	29	128	138	4800	6000
	NJ311ECP		1.725	55	120	29	128	138	4800	6000
	NJ311E	42311E	1.61	55	120	29	128	138	4800	6000
	NJ311EM	42311EH	1.7	55	120	29	128	138	4800	6000
	NUP311E	92311E	1.61	55	120	29	128	138	4800	6000
	NUP311EM	92311EH	1.7	55	120	29	128	138	4800	6000
	NUP311EN	192311E	1.61	55	120	29	128	138	4800	6000
	NUP311ENV	192311EV	1.69	55	120	29	163	175	4300	5000
	NUP311ENM	192311EH	1.7	55	120	29	128	138	4800	6000
	N2211EM	2511EH	0.77	55	100	25	75.3	87.2	4300	6700
	NF2211EM	12511EH	0.77	55	100	25	75.3	87.2	4300	6700
	NU2211EM	32511EH	0.77	55	100	25	75.3	87.2	4300	6700
	NJ2211		0.91	55	100	25				
	NU2211M		0.916	55	100	25				
	NU2311EM	32611EH	2.8	55	120	43	148	162	4800	6000
	NJ2311EM	42611EH	2.8	55	120	43	148	162	4800	6000
	NUP2311EM	92611EH	2.8	55	120	43	148	162	4800	6000
	60	N212E	2212E	0.84	60	110	22	89.8	102	5000
N212EM		2212EH	0.95	60	110	22	89.8	102	5000	6300
NF212E		12212E	0.84	60	110	22	89.8	102	5000	6300
NF212EM		12212EH	0.95	60	110	22	89.8	102	5000	6300
NU212E		32212E	0.84	60	110	22	89.8	102	5000	6300
NU212EM		32212EH	0.95	60	110	22	89.8	102	5000	6300
NJ212E		42212E	0.84	60	110	22	89.8	102	5000	6300
NJ212EM		42212EH	0.95	60	110	22	89.8	102	5000	6300
NUP212E		92212E	0.84	60	110	22	89.8	102	5000	6300
NUP212EM		92212EH	0.95	60	110	22	89.8	102	5000	6300
N312E		2312E	1.94	60	130	31	142	155	4500	5600
N312EM		2312EH	2.07	60	130	31	142	155	4500	5600

圆柱滚子轴承

Cylindrical Roller Bearings



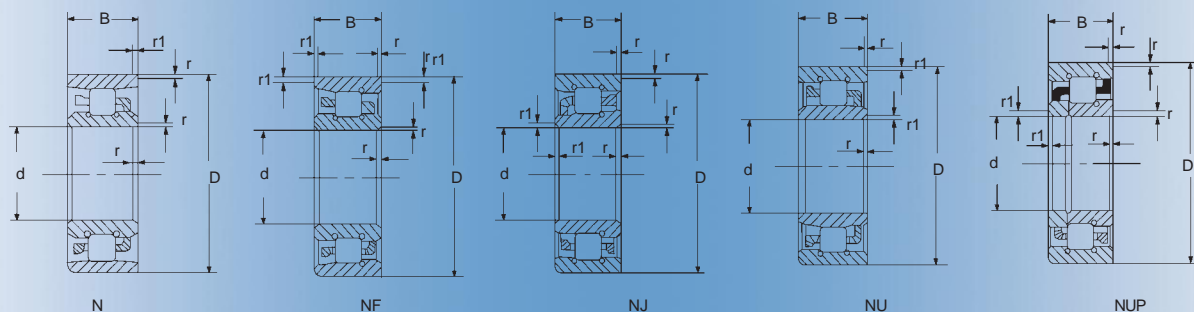
轴径 Shaft Diameter	轴承型号 Bearing Designation		重量 Mass 近似 Approx	外形尺寸 Boundary Dimensions			基本额定负荷 Basic Load Rating		极限转速 Limiting Speed	
	现型号 Current Code	原型号 Original Code		d	D	B	动 Dynamic	静 Static	脂润滑 Grease	油润滑 Oil
	mm			kg	mm			N		rpm
60	NF312E	12312E	1.94	60	130	31	142	155	4500	5600
	NF312EM	12312EH	2.07	60	130	31	142	155	4500	5600
	NU312E	32312E	1.94	60	130	31	142	155	4500	5600
	NU312EM	32312EH	2.07	60	130	31	142	155	4500	5600
	NJ312ECP		1.98	60	130	31	142	155	4500	5600
	NJ312EM	42312EH	2.07	60	130	31	142	155	4500	5600
	NUP312E	92312E	1.94	60	130	31	142	155	4500	5600
	NUP312EM	92312EH	2.07	60	130	31	142	155	4500	5600
	NUP312EV	92312EK	1.96	60	130	31	185	195	4000	4700
	N2212EM	2512EH	1.09	60	110	28	101	123	4000	6300
	NF2212EM	12512EH	1.09	60	110	28	101	123	4000	6300
	NU2212EM	32512EH	1.09	60	110	28	101	123	4000	6300
	NJ2212EM	42512EH	1.09	60	110	28	101	123	4000	6300
	NUP2212EM	92512EH	1.09	60	110	28	101	123	4000	6300
	N2312EM	2612EH	3.38	60	130	46	168	188	4500	5600
	NU2312EM	32612EH	3.38	60	130	46	168	188	4500	5600
NJ2312EM	42612EH	3.38	60	130	46	168	188	4500	5600	
65	N313E	2312E	2.42	65	140	33	170	188	4000	5000
	N313EM	2313EH	2.58	65	140	33	170	188	4000	5000
	NF313E	12313E	2.42	65	140	33	170	188	4000	5000
	NF313EM	12313EH	2.58	65	140	33	170	188	4000	5000
	NU313E	32313E	2.42	65	140	33	170	188	4000	5000
	NU3131EM	32313EH	2.58	65	140	33	170	188	4000	5000
	NJ313E	42313E	2.42	65	140	33	170	188	4000	5000
	NJ313EM	42313EH	2.58	65	140	33	170	188	4000	5000
	NUP313E	92313E	2.42	65	140	33	170	188	4000	5000
	NUP313EM	92313EH	2.58	65	140	33	170	188	4000	5000
NUP131EV	92313EK	2.51	65	140	33	210	240	3700	4200	
70	N314E	2314E	2.9	70	150	35	195	220	3800	4800
	N314EM	2314EH	3.04	70	150	35	195	220	3800	4800
	NF314E	12314E	2.9	70	150	35	195	220	3800	4800
	NF314EM	12314EH	3.04	70	150	35	195	220	3800	4800
	NU314E	32314E	2.9	70	150	35	195	220	3800	4800
	NU314EM	32314EH	3.04	70	150	35	195	220	3800	4800
	NJ314E	42314E	2.9	70	150	35	195	220	3800	4800
	NJ314EM	42314EH	3.04	70	150	35	195	220	3800	4800
	NUP314E	92314E	2.9	70	150	35	195	220	3800	4800
	NUP314EM	92314EH	3.04	70	150	35	195	220	3800	4800
	NUP314ENM	192314EH	3.04	70	150	35	195	220	3800	4800



轴径 Shaft Diameter	轴承型号 Bearing Designation		重量 Mass 近似 Approx	外形尺寸 Boundary Dimensions			基本额定负荷 Basic Load Rating		极限转速 Limiting Speed	
	现型号 Current Code	原型号 Original Code		d	D	B	动 Dynamic	静 Static	脂润滑 Grease	油润滑 Oil
mm			kg	mm			N		rpm	
75	N315E	2315E	3.59	75	160	37	228	260	3600	4500
	N315EM	2315EH	3.88	75	160	37	228	260	3600	4500
	NF315E	12315E	3.59	75	160	37	228	260	3600	4500
	NF315EM	12315EH	3.88	75	160	37	228	260	3600	4500
	NU315E	32315E	3.59	75	160	37	228	260	3600	4500
	NU315EM	32315EH	3.88	75	160	37	228	260	3600	4500
	NJ315E	42315E	3.59	75	160	37	228	260	3600	4500
	NJ315EM	42315EH	3.88	75	160	37	228	260	3600	4500
	NUP315E	92315E	3.59	75	160	37	228	260	3600	4500
	NUP315EM	92315EH	3.88	75	160	37	228	260	3600	4500
	NUP315ENM	192315EH	3.84	75	160	37	228	260	3100	3700
80	NU1016M	32116H	1.21	80	125	22	72.5	90.5	5700	6700
	NJ216EM	42216	1.67	80	140	26	111	130	4800	5700
	NUP216E	92216E	1.58	80	140	26	139	167	4400	5100
	N216	2216	1.72	80	140	26	111	130	4800	5700
85	N217	2217	2.16	85	150	28	126	149	4500	5300
	NU217	32217	2	85	150	28	126	149	4500	5300
	NJ217	42217	2	85	150	28	126	149	4500	5300
	NU217E	32217E	2.08	85	150	28	167	199	4100	4800
90	NU218	32218	2.44	90	160	30	152	178	4300	5000
	NJ218	42218	2.44	90	160	30	152	178	4300	5000
	NJ218E	42218E	2.54	90	160	30	182	217	3900	4600
	NUP218M	92218H	2.5	90	160	30	182	217	4300	5000
	NJ218EUP(K)		2.4	90	160	30				
	NJ218EC(K)		2.43	90	160	30				

圆柱滚子轴承

Cylindrical Roller Bearings



轴径 Shaft Diameter	轴承型号 Bearing Designation		重量 Mass 近似 Approx	外形尺寸 Boundary Dimensions			基本额定负荷 Basic Load Rating		极限转速 Limiting Speed	
	现型号 Current Code	原型号 Original Code		d	D	B	动 Dynamic	静 Static	脂润滑 Grease	油润滑 Oil
mm			g	mm			N		rpm	
其他非标系列										
20	TJ-602-747			20	37.8	18				
	M6X			20	56	15				
24.985	MUB1205			24.985	52	20.6				
25	NJ2205-3VHSH			25	52	18				
	RSL182205			25	46.52	18				
	M9W			25	52	21				
	M10W			25	55	18				
30	RSL182206			30	55.19	20				
	NJ206EXICS42			30	60	16				
	CBK239			30	62	19				
	F-204045			30	62	16				
36	F93666.2			36	46.2	20				
40	RNU5208			40	78	14				
43.8	2207-SYRIWII			43.8	72	23				
44	RN153			44	72	17				
49.93	JC8003			49.93	80	15				
49.95	CBK238			49.95	80	15				

常州亚派轴承有限公司 0519-88995562

支承滚轮具有厚壁外圈，利用这种外圈，滚轮可以直接在滚道上滚动，并可以承受大的负荷。本公司可提供优质 STO RSTO、NA22...2RS RN22...2RS、NATR NART...PP、NATV NATV...PP、NUTR、NAST 支承滚轮。

曲线滚轮是由一根螺栓、推力垫圈、外圈与滚针和保持架组件或满装滚动体组成的完整单元，具有带凸度外表面的厚壁外圈，能承受高径向力。本公司可提供 KR KRE、KRV KRVE、NUKR NUKRE；KR...PP KRE...PP KRV...PP KRVE...PP NUKR...PP 型曲线滚轮。

支承滚轮 曲线滚轮

Supporting Roller and Curve Roller



The supporting roller has the thick-wall outer ring, by which the roller can be rolled directly at the rollway and withstand the large load. The supporting rollers made by our company include STO RSTO, NA22...2RS, RN22...2RS, NATR NART...PP, NATV NATV...PP, NUTR NAST. Supporting Roller.

The curve roller is composed of a bolt, thrust collar, outer ring, needle and cage assembly or full complement rolling body. It has the thick-wall outer ring with camber outside face, withstanding the high radial force. The curve rollers made by our company include KR, KRE, KRV, KRVE, NUKR and NUKRE. Model KR...PP, KRE...PP, KRV...PP, KRVE...PP, NUKR...PP curve roller

无挡边支承滚轮滚针轴承

STO型和RSTO型支承滚轮

有内圈 无挡边支承滚轮滚针轴承 STO 型，该种轴承外圈采用滚轮式，结构紧凑，外圈壁较厚，可以在转动中承受较大冲击力，耐磨性能好。该种轴承由于无挡边，可分别安装内圈，滚针和保持架组件、滚轮式外圈。轴承外圈表面为圆柱面时，则其轴承代号为 STO...X 型。

无内圈 无挡边支承滚轮滚针轴承 RSTO 型，该种轴承由于无内圈，要求与其相配的轴径表面硬度、表面粗糙度应与轴承相匹配，该种轴承其他性能与 STO 型相当。

轴承外圈表面为圆柱面时，则其轴承代号为 RSTO...X 型。

Model STO and RSTO support roller

As for Model STO supporting roller needle bearing with inner ring and without shoulder, the outer ring of bearing is roller type with compact structure and thick wall. It can withstand large stock force in rotation with high abrasion-resistance. Because of no shoulder in the bearing, inner ring, needle, cage assembly and outer ring can be mounted respectively.

If the surface of outer ring is cylinder face, the designation of bearing is STO...X.

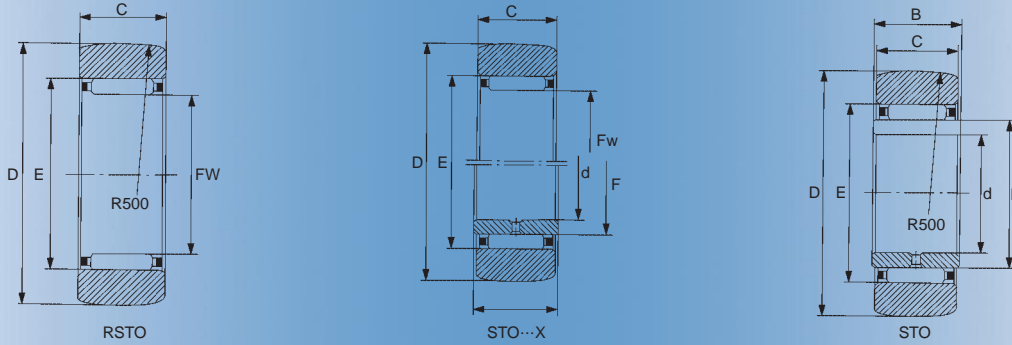
As for Model RSTO supporting roller needle bearing without inner and shoulder, the bearing has no inner ring, so it is requested that the surface hardness and surface of shaft journal fitted with it be matched with bearing. The performance of this bearing is same as that of Model STO.

If the surface of outer ring is cylinder face, the designation of bearing is RSTO2. As for Model STO supporting roller needle bearing with inner ring and without shoulder, the outer ring of bearing is roller type with compact structure and thick wall. It can withstand large stock force in rotation with high abrasion-resistance. Because of no shoulder in the bearing, inner ring, needle, cage assembly and outer ring can be mounted respectively.

If the surface of outer ring is cylinder face, the designation of bearing is STO...X. (Model STO and RSTO support roller).

As for Model RSTO supporting roller needle bearing without inner and shoulder, the bearing has no inner ring, so it is requested that the surface hardness and surface of shaft journal fitted with it be matched with bearing. The performance of this bearing is same as that of Model STO.

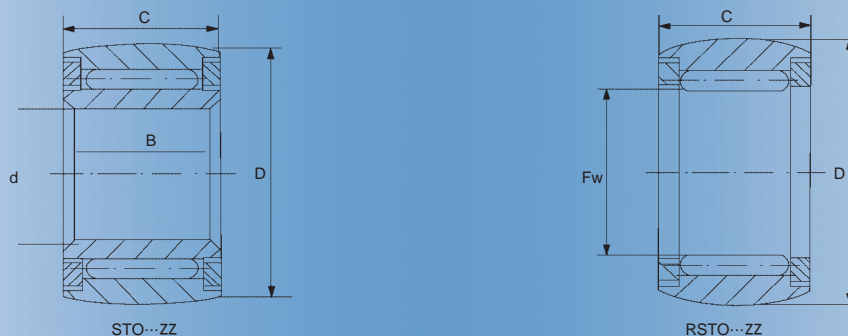
If the surface of outer ring is cylinder face, the designation of bearing is RSTO...X



外径 Shaft Diameter	轴承型号 Bearing Designation		重量 Mass 近似 Approx	外形尺寸 Boundary Dimensions			基本额定负荷 Basic Load Ratings		极限转速 Limiting Speed
	现型号 Current Code	原型号 Original Code		Fw	D	C	动 Dynamic	静 Static	油 滑 油 Oil
				mm			N		rpm
16	RSTO5X		8.5	7	16	7.8	2800	2600	23000
	RSTO5TN			7	16	7.8	2800	2600	23000
	RSTO5XTN			7	16	7.8	2800	2600	23000
19	RSTO6		12.5	10	19	9.8	5200	6550	18000
	RSTO6TN			10	19	10	5200	6550	18000
	RSTO6XTN			10	19	10	5200	6550	18000
24	RSTO8		21	12	24	9.8	5600	7650	16000
	RSTO8X		21	12	24	9.8	5600	7650	16000
	RSTO8TN		21	12	24	10	5600	7650	16000
30	RSTO10		44	14	30	11.8	10000	10800	12000
	RSTO10X		44	14	30	11.8	10000	10800	12000
32	RSTO12		49	16	32	11.8	10600	12000	10000
	RSTO12X		49	16	32	11.8	10600	12000	10000
35	RSTO15		52	20	35	11.8	12500	15600	7000
	RSTO15X		52	20	35	11.8	12500	15600	7000
40	RSTO17		95	22	40	15.8	18300	23600	6300
	RSTO17X		95	22	40	15.8	18300	23600	6300
47	RSTO20		134	25	47	15.8	19000	26000	5300
	RSTO20X		134	25	47	15.8	19000	26000	5300
	RSTO25		155	25	47	15.8	19000	26000	5300
	RSTO25X		155	25	47	15.8	19000	26000	5300
62	RSTO30		258	38	62	19.8	31500	52000	3000
	RSTO30X		258	38	62	19.8	31500	52000	3000
	RSTO35		370	38	62	19.8	31500	52000	3000
	RSTO35X		370	38	62	19.8	31500	52000	3000
80	RSTO40		430	50	80	19.8	36500	68000	1800
	RSTO40X		430	50	80	19.8	36500	68000	1800
85	RSTO45		447	55	85	19.8	38000	75000	1600
	RSTO45X		447	55	85	19.8	38000	75000	1600
90	RSTO50		495	60	90	19.8	40000	80000	1500
	RSTO50X		495	60	90	19.8	40000	80000	1500
非标系列 Non-Standard series									
39.67	RSO13.7 × 39.67 × 18.7			13.7	39.67	18.7			
30	RSTO18 × 30 × 35.2			18	30	35.2			

支承滚轮轴承

Supporting Roller Bearings



外径 Shaft Diameter	轴承型号 Bearing Designation		重量 Mass 近似 Approx	外形尺寸 Boundary Dimensions				基本额定负荷 Basic Load Rating		极限转速 Limiting Speed
	现型号 Current Code	原型号 Original Code		d	D	B	C	动 Dynamic	静 Static	油润滑 Oil
mm			g	mm				N		rpm
19	STO6		18	6	19	10	9.8	5200	6550	18000
	STO6X		18	6	19	10	9.8	5200	6550	18000
24	STO8		28	8	24	10	9.8	5600	7650	16000
	STO8X		28	8	24	10	9.8	5600	7650	16000
30	STO10		51	10	30	12	11.8	10000	10800	12000
	STO10X		51	10	30	12	11.8	10000	10800	12000
32	STO12		57	12	32	12	11.8	10600	12000	10000
	STO12X		57	12	32	12	11.8	10600	12000	10000
35	STO15		64	15	35	12	11.8	12500	15600	7000
	STO15X		64	15	35	12	11.8	12500	15600	7000
40	STO17		114	17	40	16	15.8	18300	23600	6300
	STO17X		114	17	40	16	15.8	18300	23600	6300
47	STO20		156	20	47	16	15.8	19000	26000	5300
	STO20X		156	20	47	16	15.8	19000	26000	5300
	STO20ZZ			20	47	20	19.8	19000	26000	5300
	STO25		182	25	47	16	15.8	19000	26000	5300
	STO25X		182	25	47	16	15.8	19000	26000	5300
62	STO30		325	30	62	20	19.8	31500	26000	5300
	STO30X		325	30	62	20	19.8	31500	52000	3000
	STO30ZZ			30	62	20	19.8	31500	52000	3000
72	STO35		435	35	72	20	19.8	31500	52000	3000
	STO35X		435	35	72	20	19.8	31500	52000	3000
	STO35ZZ			35	72	20	19.8	31500	52000	3000
80	STO40		540	40	80	20	19.8	36500	68000	1800
	STO40X		540	40	80	20	19.8	36500	68000	1800
	STO40ZZ			40	80	26	28.5	36500	68000	1800
85	STO45		580	45	85	20	19.8	38000	75000	1600
	STO45X		580	45	85	20	19.8	38000	75000	1600
90	STO50		650	50	90	20	19.8	40000	80000	1500
	STO50X		650	50	90	20	19.8	40000	80000	1500

RNA22...2RS、NA22...2RS 型支承滚轮

无内圈双密封滚轮滚针轴承 RN22...2RS 型

该种滚轮滚针轴承 RNA22...2RS 型无内圈，两边带双密封圈，防尘性能好，由于该种轴承无内圈，要求与其相配的轴径表面硬度、表面粗糙度与轴承相匹配。该种轴承其他性能与 NA22...2RS 型相当。

轴承外圈表面为圆柱面时，则其轴承代号为 RNA22...2RSX 型。

有内圈无挡边双密封滚轮滚针轴承 NA22...2RS 型

该种滚轮滚针轴承 NA22...2RS 型有内圈无挡边，两边带双密封圈，防尘性能好。外圈采用滚轮式，且壁较厚，抗冲击性能较好。

轴承外圈表面为圆柱面时，则其轴承代号为 NA22...2RSX 型。

Model RNA22...2RS, NA22...2RS Supporting Roller

Double-seal Roller Needle Bearing without Inner Ring Model RN...2RS

Model RNA...2RS roller needle bearing has not inner ring and is equipped with double seal rings in both sides. It has a good dust-protection performance. Since the bearing has no inner ring, it is requested that the surface hardness and surface of shaft journal fitted with it be matched with bearing. The performance of this bearing is same as that of Model NA22...2RS.

If the surface of outer ring is cylinder face, the designation of bearing is RNA22...2RSX.

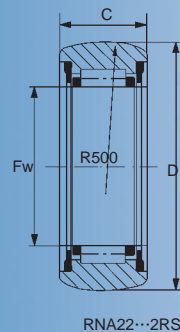
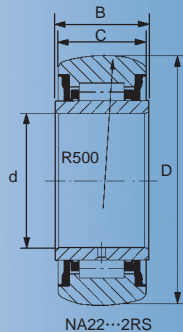
Double-seal Roller Needle Bearing with inner ring and without shoulder Model NA...2RS

Model NA...2RS roller needle bearing has not inner ring and shoulder and is equipped with double seal rings in both sides. It has a good dust-protection performance. Since the outer ring is roller type with thick wall, it has a better shock resistance.

If the surface of outer ring is cylinder face, the designation of bearing is NA22...2RSX.

支承滚轮轴承

Supporting Roller Bearings



外径 Shaft Diameter	轴承型号及近似重量 Bearing Designation and Approx Mass				外形尺寸 Boundary Dimensions					基本额定负荷 Basic Load Rating		极限转速 Limiting Speed
	无内圈 Without IR	重量 Mass	有内圈 With IR	重量 Mass	d	FW	D	B	C	动 Dynamic	静 Static	油润滑 Grease
		g		g	mm					N		
19	RNA22/6 2RS	18	NA22/6 2RS	22	6	10	19	12	11.8	5000	4350	18000
	RNA22/6 2RSX	18	NA22/6 2RSX	22	6	10	19	12	11.8	5000	4350	18000
24	RNA22/8 2RS	29	NA22/8 2RS	34	8	12	24	12	11.8	5500	5200	14000
	RNA22/8 2RSX	29	NA22/6 2RSX	34	8	12	24	12	11.8	5500	5200	14000
30	RNA2200 2RS	52	NA2200 2RS	60	10	14	30	14	13.8	7600	8100	11000
	RNA2200 2RSX	52	NA2200 2RSX	60	10	14	30	14	13.8	7600	8100	11000
32	RNA2201 2RS	57	NA2201 2RS	67	12	16	32	14	13.8	8500	9700	9500
	RNA2201 2RSX	57	NA2201 2RSX	67	12	16	32	14	13.8	8500	9700	9500
35	RNA2202 2RS	60	NA2202 2RS	75	15	20	35	14	13.8	9600	12000	7000
	RNA2202 2RSX	60	NA2202 2RSX	75	15	20	35	14	13.8	9600	12000	7000
40	RNA2203 2RS	94	NA2203 2RS	112	17	22	40	16	15.8	12000	16500	6000
	RNA2203 2RSX	94	NA2203 2RSX	112	17	22	40	16	15.8	12000	16500	6000
47	RNA2204 2RS	152	NA2204 2RS	177	20	25	47	18	17.8	18500	21900	4600
	RNA2204 2RSX	152	NA2204 2RSX	177	20	25	47	18	17.8	18500	21900	4600
52	RNA2205 2RS	179	NA2205 2RS	209	25	30	52	18	17.8	20100	26000	3500
	RNA2205 2RSX	179	NA2205 2RSX	209	25	30	52	18	17.8	20100	26000	3500
62	RNA2206 2RS	284	NA2206 2RS	324	30	35	62	20	19.8	23000	28000	2800
	RNA2206 2RSX	284	NA2206 2RSX	324	30	35	62	20	19.8	23000	28000	2800
72	RNA2207 2RS	432	NA2207 2RS	505	35	42	72	23	22.7	29800	46300	2200
	RNA2207 2RSX	432	NA2207 2RSX	505	35	42	72	23	22.7	29800	46300	2200
80	RNA2208 2RS	530	NA2208 2RS	628	40	48	80	23	22.7	38200	57700	1700
	RNA2208 2RSX	530	NA2208 2RSX	628	40	48	80	23	22.7	38200	57700	1700
85	RNA2209 2RS	545	NA2209 2RS	655	45	52	85	23	22.7	40300	63800	1600
	RNA2209 2RSX	545	NA2209 2RSX	655	45	52	85	23	22.7	40300	63800	1600
90	RNA22010 2RS	563	NA22010 2RS	690	50	58	90	23	22.7	66000	86000	1300
	RNA22010 2RSX	563	NA22010 2RSX	690	50	58	90	23	22.7	66000	86000	1300

NATR、NATR…PP型支承滚轮轴承

NATV、NATV…PP型支承滚轮轴承

NATR 型该种支承滚轮包括外圈、内圈、滚针保持架组件及压入并固定在内圈两侧的挡圈。NATR…PP 型带密封环，该种支承滚轮具有大的润滑脂贮存空间，可以长期使用而不必加油。

NATV 系列支承滚轮其结构大体与 NATR 型基本相同，NATV 型为满装滚针型。因此该种支承滚轮可以在低速下承受较重载荷，但必须注意经常润滑。NATV…PP 型支承滚轮为带密封环的结构。

轴承外圈表面为圆柱面时，则其轴承代号后缀加 X。

Supporting Roller Bearing

Model NATR, NATR…PP Supporting Roller Bearing

Model NATV, NATV…PP Supporting Roller Bearing

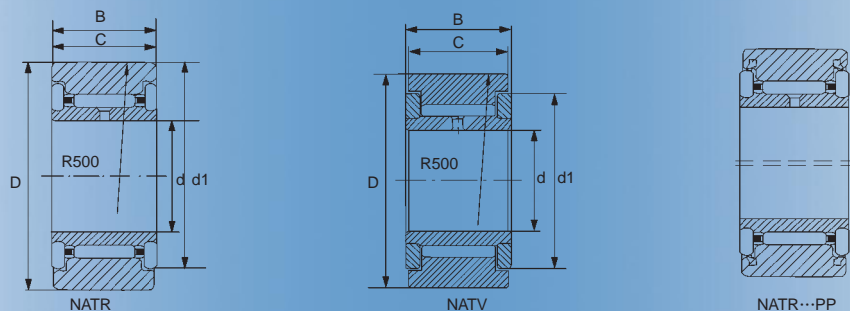
Model NATR supporting roller bearing includes outer ring, inner ring, needle cage assembly and baffle ring pressed and fixed in both sides of inner ring. Model NATR…PP support roller bearing has the seal ring. It has a large grease-storage space and can be used for a long time without adding lubricating grease.

The structure of Model NATV supporting roller bearing is same as that of Model NATR. Model NATV is the bearing with full of needles. It can withstand heavy load under the low speed. However it is necessary to add the lubricating grease at regular intervals. Model NATV…PP supporting roller needle bearing has the seal ring structure.

If the surface of outer ring is cylinder face, the letter X shall be added after designation of bearing.

支承滚轮轴承

Supporting Roller Bearings



外径 Shaft Diameter	轴承型号 Bearing Designation		外形尺寸 Boundary Dimensions						基本额定负荷 Basic Load Rating				极限转速 Limiting Speed rpm
	无内圈 Without inner ring	带内圈 With inner ring	d	D	B	C	d1	rs	动 Dynamic	静 Static	作为支承滚轮 As yoke type track rollers		
			mm						min	N			
16	NATR 5	NATR 5 PP	5	16	12	11	12	0.15	3800	3750	3150	3300	*22000
	NATV 5	NATV 5 PP	5	16	12	11	12	0.15	6400	8500	4850	6500	8500
19	NATR 6	NATR 6 PP	6	19	12	11	14	0.15	4250	4600	3500	3900	*20000
	NATV 6	NATV 6 PP	6	19	12	11	14	0.15	7300	10800	5500	7900	7000
24	NATR 8	NATR 8 PP	8	24	15	14	19	0.3	6800	7700	5500	6400	*15000
	NATV 8	NATV 8 PP	8	24	15	14	19	0.3	10400	15600	7800	11400	5500
30	NATR 10	NATR 10 PP	10	30	15	14	23	0.6	8100	9700	6800	8400	11000
	NATV 10	NATV 10 PP	10	30	15	14	23	0.6	12200	19000	9500	14600	4500
32	NATR 12	NATR 12 PP	12	32	15	14	25	0.6	8700	11000	6900	8800	9000
	NATV 12	NATV 12 PP	12	32	15	14	25	0.6	13200	21700	9700	15400	3900
35	NATR 15	NATR 15 PP	15	35	19	18	27	0.6	12900	19000	9700	14100	7000
	NATV 15	NATV 15 PP	15	35	19	18	27	0.6	18300	35000	12800	23000	3400
40	NATR 17	NATR 17 PP	17	40	21	20	32	1	14200	20400	10900	15500	6000
	NATV 17	NATV 17 PP	17	40	21	20	32	1	21000	39500	14800	26500	2900
47	NATR 20	NATR 20 PP	20	47	25	24	37	1	19500	32000	15500	25500	4900
	NATV 20	NATV 20 PP	20	47	25	24	37	1	28000	59000	20600	42000	2600
52	NATR 25	NATR 25 PP	25	52	25	24	42	1	21200	38000	15400	26500	3600
	NATV 25	NATV 25 PP	25	52	25	24	42	1	31000	72000	20500	44000	2100
62	NATR 30	NATR 30 PP	30	62	29	28	51	1	34000	59000	23600	38500	2600
	NATV 30	NATV 30 PP	30	62	29	28	51	1	48500	108000	30500	63000	1700
72	NATR 35	NATR 35 PP	35	72	29	28	58	1.1	37000	69000	25500	44500	2000
	NATV 35	NATV 35 PP	35	72	29	28	58	1.1	53000	127000	33000	73000	1400
80	NATR 40	NATR 40 PP	40	80	32	30	66	1.1	49000	94000	33000	59000	1700
	NATV 40	NATV 40 PP	40	80	32	30	66	1.1	66000	159000	41000	90000	1300
85	NATR 45	NATR 45 PP	45	85	32	30	72	1.1	51000	101000	32500	59000	1500
90	NATR 50	NATR 50 PP	50	90	32	30	76	1.1	52000	108000	32000	59000	1300
	NATV 50	NATV 50 PP	50	90	32	30	76	1.1	72000	191000	40500	93000	1000

NUTR 型支承滚轮轴承

NUTR型系列支承滚轮为双列满装滚子轴承，外圈由挡边引导。轴承的全部零件由压入外圈内的密封罩形成一种完整的单元，密封罩与止推挡圈一起组成了高效的间隙密封。该种NUTR系列支承滚轮可以承受非常重的载荷，由于滚动体的轴向引导，即使在高速情况下也可承受冲击性的轴向载荷。

轴承外圈表面为圆柱面时，则其轴承代号为 NUTR...X 型。

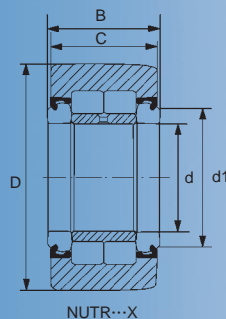
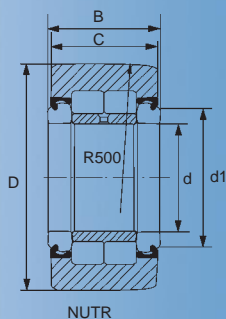
Model NUTR Supporting Roller

Model NUTR supporting roller is the double-row roller bearing with full of needles. The outer ring is guided by shoulder. All parts of bearing is enclosed by the seal cover pressed in outer ring to form a complete unit. The seal cover and thrust baffle ring constitute the high-efficient gas seal. This kind of Model NUTR supporting roller needle bearing can withstand heavy load. Because of axial guide in rolling body, it can withstand the stock axial load even in the high speed.

If the surface of outer ring is cylinder face, the designation of bearing is NUYT...X.

支承滚轮轴承

Supporting Roller Bearings



外径 Shaft Diameter	轴承型号 Bearing Designation	外形尺寸 Boundary Dimensions							基本额定负荷 Basic Load Rating						极限转速 Limiting Speed rpm
		d	D	B	C	d1	rs	ris	动 Dynamic	静 Static	作为支承滚轮 As yoke type track rollers		Fr perm	For perm	
		mm				min			N						
35	NUTR 15	15	35	19	18	20	0.6	0.3	23000	27000	16000	18300	8300	16400	6500
40	NUTR 17	17	40	21	20	22	1	0.3	24800	31000	18500	22800	13200	22800	5500
42	NUTR 15 42	15	42	19	18	20	0.6	0.3	23000	27000	19400	23800	23900	23900	6500
47	NUTR 17 47	17	47	21	20	22	1	0.3	24800	31000	21300	28000	28000	28000	5500
	NUTR 20	20	47	25	24	27	1	0.3	39000	50000	28000	35000	16500	33000	4200
52	NUTR 20 52	20	52	25	24	27	1	0.3	39000	50000	31500	41000	38500	41000	4200
	NUTR 25	25	52	25	24	31	1	0.3	43500	60000	29000	37500	17300	34500	3400
62	NUTR 25 62	25	62	25	24	31	1	0.3	43500	60000	35500	50000	50000	50000	3400
	NUTR 30	30	62	29	28	38	1	0.3	59000	79000	40000	51000	23600	47000	2600
72	NUTR 30 72	30	72	29	28	38	1	0.3	59000	79000	48000	65000	65000	65000	2600
	NUTR 35	35	72	29	28	44	1.1	0.6	65000	93000	45000	61000	32000	61000	2100
80	NUTR 35 80	35	80	29	28	44	1.1	0.6	65000	93000	51000	72000	72000	72000	2100
	NUTR 40	40	80	32	30	51	1.1	0.6	90000	134000	56000	76000	30500	60000	1600
85	NUTR 45	45	85	32	30	55	1.1	0.6	95000	147000	56000	79000	31500	61000	1400
90	NUTR 40 90	40	90	32	30	51	1.1	0.6	90000	134000	66000	96000	84000	96000	1600
	NUTR 50	50	90	32	30	60	1.1	0.6	10000	161000	57000	81000	32000	63000	1300
100	NUTR 45 100	45	100	32	30	55	1.1	0.6	95000	147000	72000	10800	106000	108000	1400
110	NUTR 50 110	50	110	32	30	60	1.1	0.6	10000	161000	76000	121000	121000	121000	1300

NAST 型支承滚轮轴承

该种轴承带轴向引导，其性能同 NATR 型轴承。
NAST...2Z 型带平挡圈有防尘盖的滚轮滚针轴承。

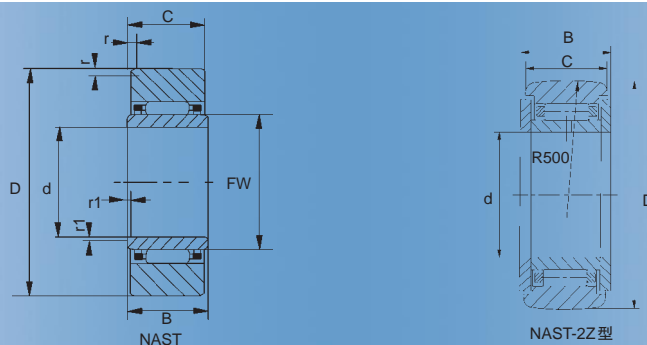
Model NAST Supporting Roller

This bearing has the axial guide. Its performance is same as that of Model NATR bearing.
Model NAST22 is the roller needle bearing with flat baffle ring and dust-protection cover.

常州亚派轴承有限公司 0519-88995562

支承滚轮轴承

Supporting Roller Bearings



轴径 Shaft Diameter	轴承型号 Bearing Designation		重量 Mass 近似 Approx	外形尺寸 Boundary Dimensions				基本额定负荷 Basic Load Rating		极限转速 Limiting Speed
	现型号 Current Code	原型号 Original Code		d	D	B	C	动 Dynamic	静 Static	油 滑 油 Oil
mm			g	mm				N		rpm
6	NAST6		17.8	6	19	10	9.8	5200	4900	18000
	NAST6-ZZR		24	6	19	14	13.8	5200	4900	18000
	NAST6-2Z		24	6	19	14	13.8	5200	4900	18000
8	NAST8		28	8	24	10	9.8	5600	7650	16000
	NAST8-ZZR		40	8	24	14	13.8	5600	7650	16000
	NAST8-2Z		40	8	24	14	13.8	5600	7650	16000
10	NAST10		49.5	10	30	16	15.8	10000	10800	12000
	NAST10-ZZR		65	10	30	16	15.8	10000	10800	12000
	NAST10-2Z		65	10	30	16	15.8	10000	10800	12000
	NAST10X28X12			10	28	12	11.8	10000	10800	12000
12	NAST12		58	12	32	12	11.8	10600	12000	10000
	NAST12-ZZR		75	12	32	16	15.8	10600	12000	10000
	NAST12-2Z		75	12	32	16	15.8	10600	12000	10000
15	NAST15-ZZR		83	15	35	16	15.8	12500	15600	7000
	NAST15-2Z		83	15	35	16	15.8	12500	15600	7000
17	NAST17		135	17	40	20	19.8	18300	23600	6300
	NAST17-2Z		135	17	40	20	19.8	18300	23600	6300
20	NAST20-ZZR		195	20	47	20	19.8	19000	26000	5300
	NAST20-2Z		195	20	47	20	19.8	19000	26000	5300
25	NAST25-2Z		225	25	52	20	19.8	21200	31500	4300
	NAST25-ZZR		225	25	52	20	19.8	21200	31500	4300
30	NAST30-ZZR		400	30	62	25	24.8	31500	52000	3000
	NAST30-2Z		400	30	62	25	24.8	31500	52000	3000
35	NAST 35-ZZR		550	35	72	25	24.8	32000	54000	2400
	NAST35-2Z		550	35	72	25	24.8	32000	54000	2400
40	NAST40-2Z		710	40	80	26	25.8	36500	68000	1800
45	NAST45-ZZR		760	45	85	26	25.8	38000	75000	1600
	NAST45-2Z		760	45	85	26	25.8	38000	75000	1600
50	NAST50-2Z		830	50	90	26	25.8	39500	87000	1400

曲线滚轮轴承

KR KR... PP 型曲线滚轮

该种 KR KR... PP 型曲线滚轮，滚动体是由保持架引导，而外圈则经由螺栓上的挡圈轴向引导。适用于重载荷和中转速。由于轴承内部有较多的贮脂空间，所以润滑周期得到处延长。KR... PP 型曲线滚轮为带接触式密封结构。

KRV KRV... PP 型曲线滚轮

KRV KRV... PP 型轴承和 KR KR... PP 型曲线滚轮结构相同，KRV KRV... PP 型曲线滚轮是满装滚针轴承。该种曲线滚轮可以承受较重的载荷及较低的转速，但必须经常添加润滑脂。

NUKR 型曲线滚轮

NUKR 型曲线滚轮是双列装滚子结构，象园柱滚子轴承一样具有外圈由滚动体作轴向引导压入外圈的罩壳和挡边台阶组成高效果的间隙密封。

该种曲线滚轮能够承受特别高的载荷，还由于受滚子的轴向引导也可承受冲击性的轴向载荷。

KRE、KRE... PP;KREV、KREV... PP;NUKRE 型曲线滚轮

该类型 KRE、KRE... PP; KREV、KREV... PP 和 NUKRE 型曲线滚轮轴承是为了满足主机配套要求，系专用轴承。外圈采用滚轮式，以螺栓轴代内圈，其结构紧凑。都可以带偏心套，滚轮可以通过螺栓端面的槽进行调节，加润滑脂可以通过螺栓两端进行。

Curve Roller

Model KR, KR... PP Curve Roller

In Model KR, KR... PP curve roller, the rolling body is guided by cage and the outer is axially guided by the baffle ring on the bolt. It is suitable for heavy load and middle rotational speed. Since the bearing has a large grease-storage space, it has a long-term lubrication cycle. Model KR... PP curve roller has the contact-type seal structure.

Model KRV, KRV... PP Curve Roller

The structure of Model KRV, KRV... PP curve roller bearing is same with that of Model KR, KR... PP curve roller bearing. Model KRV, KRV... PP curve roller bearing is the full complement needle roller bearing. This curve roller bearing can withstand heavy load under the low speed. However it is necessary to add the lubricating grease at regular intervals.

Model NUKR Curve Roller

Model NUKR curve roller bearing has the double-row roller structure. As same as parallel roller bearing, the outer ring is guided axially by rolling body. The cover pressed in outer ring and the shoulder constitutes the high-efficient gas seal.

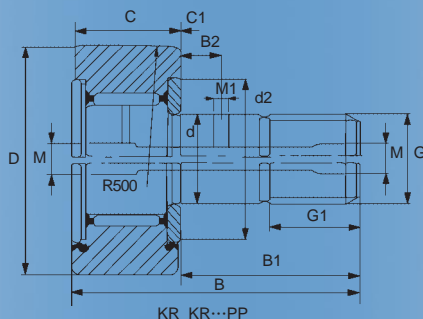
This kind of curve roller bearing can withstand the heavy load and the shock axial load because it is guided axially by roller.

KRE KRE... PP Model KREV、KREV... PP NUKRE Curve Roller

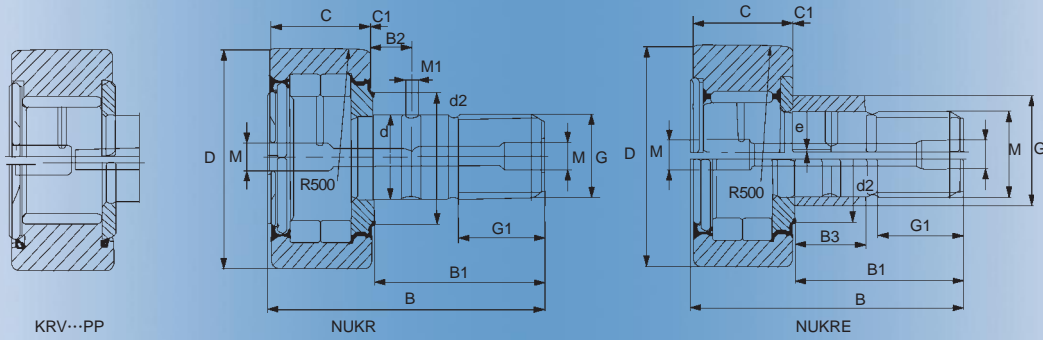
Model KRE, KRE... PP, KREV, KREV... PP and NUKRE curve roller bearings are the special-purposed bearings in order to meet the supporting requirement of main machine. The outer ring has roller structure and the bolt shaft substitutes the inner ring. It has compact structure and can be equipped with eccentric-strap. The roller can be adjusted by means of the slot at end of bolt. The lubricating grease can be fed from both ends of bolt.

曲线滚轮轴承

Curve Roller Bearings



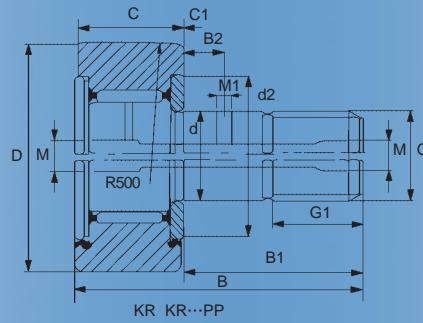
外径 Shaft Diameter	轴承型号 Bearing Designation		外形尺寸 Boundary Dimensions												
		带偏心套 With eccentric sleeve	D	d	C	ra	B	B1	B2	G	G1	M	Mn	C1	d2
			mm							min	mm				
16	KR 16	KRE 16	16	6	11	0.15	28	16		M6	8		4 ⁵⁾	0.6	12
	KR 16 PP	KRE 16 PP	16	6	11	0.15	28	16		M6	8		4 ⁵⁾	0.6	12
	KRV 16	KRVE 16	16	6	11	0.15	28	16		M6	8		4 ⁵⁾	0.6	12
	KRV 16 PP	KRVE 16 PP	16	6	11	0.15	28	16		M6	8		4 ⁵⁾	0.6	12
19	KR 19	KRE 19	19	8	11	0.15	32	20		M8	10		4 ⁵⁾	0.6	14
	KR 19 PP	KRE 19 PP	19	8	11	0.15	32	20		M8	10		4 ⁵⁾	0.6	14
	KRV 19	KRVE 19	19	8	11	0.15	32	20		M8	10		4 ⁵⁾	0.6	14
	KRV 19 PP	KRVE 19 PP	19	8	11	0.15	32	20		M8	10		4 ⁵⁾	0.6	14
22	KR 22	KRE 22	22	10	12	0.3	36	23		M 10 × 1	12		4	0.6	17
	KR 22 PP	KRE 22 PP	22	10	12	0.3	36	23		M 10 × 1	12		4	0.6	17
	KRV 22	KRVE 22	22	10	12	0.3	36	23		M 10 × 1	12		4	0.6	17
	KRV 22PP	KRVE 22PP	22	10	12	0.3	36	23		M 10 × 1	12		4	0.6	17
26	KR 26	KRE 26	26	10	12	0.3	36	23		M 10 × 1	12		4	0.6	17
	KR 26 PP	KRE 26 PP	26	10	12	0.3	36	23		M 10 × 1	12		4	0.6	17
	KRV 26	KRVE 26	26	10	12	0.3	36	23		M 10 × 1	12		4	0.6	17
	KRV 26 PP	KRVE 26 PP	26	10	12	0.3	36	23		M 10 × 1	12		4	0.6	17
30	KR 30	KRE 30	30	12	14	0.6	40	25	6	M 12 × 1.5	13	3	6	0.6	23
	KR 30 PP	KRE 30 PP	30	12	14	0.6	40	25	6	M 12 × 1.5	13	3	6	0.6	23
	KRV 30	KRVE 30	30	12	14	0.6	40	25	6	M 12 × 1.5	13	3	6	0.6	23
	KRV 30 PP	KRVE 30 PP	30	12	14	0.6	40	25	6	M 12 × 1.5	13	3	6	0.6	23
32	KR 32	KRE 32	32	12	14	0.6	40	25	6	M 12 × 1.5	13	3	6	0.6	23
	KR 32 PP	KRE 32 PP	32	12	14	0.6	40	25	6	M 12 × 1.5	13	3	6	0.6	23
	KRV 32	KRVE 32	32	12	14	0.6	40	25	6	M 12 × 1.5	13	3	6	0.6	23
	KRV 32 PP	KRVE 32 PP	32	12	14	0.6	40	25	6	M 12 × 1.5	13	3	6	0.6	23
35	KR 35	KRE 35	35	16	18	0.6	52	32.5	8	M 16 × 1.5	17	3	6	0.8	27
	KR 35 PP	KRE 35 PP	35	16	18	0.6	52	32.5	8	M 16 × 1.5	17	3	6	0.8	27
	KRV 35	KRVE 35	35	16	18	0.6	52	32.5	8	M 16 × 1.5	17	3	6	0.8	27
	KRV 35 PP	KRVE 35 PP	35	16	18	0.6	52	32.5	8	M 16 × 1.5	17	3	6	0.8	27
	NUKR 35	NUKRE 35	35	16	18	0.6	52	32.5	8	M 16 × 1.5	17	3	6	0.8	21
40	KR 40	KRE 40	40	18	20	1	58	36.5	8	M 18 × 1.5	19	3	6	0.8	32
	KR 40 PP	KRE 40 PP	40	18	20	1	58	36.5	8	M 18 × 1.5	19	3	6	0.8	32
	KRV 40	KRVE 40	40	18	20	1	58	36.5	8	M 18 × 1.5	19	3	6	0.8	32
	KRV 40 PP	KRVE 40 PP	40	18	20	1	58	36.5	8	M 18 × 1.5	19	3	6	0.8	32
	NUKR 40	NUKRE 40	40	18	20	1	58	36.5	8	M 18 × 1.5	19	3	6	0.8	23
47	KR 47	KRE 47	47	20	24	1	66	40.5	9	M 20 × 1.5	21	4	8	0.8	37
	KR 47 PP	KRE 47 PP	47	20	24	1	66	40.5	9	M 20 × 1.5	21	4	8	0.8	37
	KRV 47	KRVE 47	47	20	24	1	66	40.5	9	M 20 × 1.5	21	4	8	0.8	37
	KRV 47 PP	KRVE 47 PP	47	20	24	1	66	40.5	9	M 20 × 1.5	21	4	8	0.8	37
	NUKR 47	NUKRE 47	47	20	24	1	66	40.5	9	M 20 × 1.5	21	4	8	0.8	37



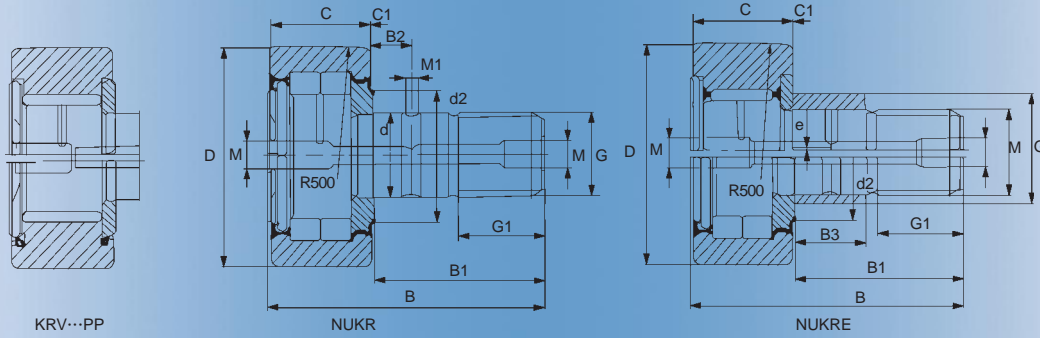
外形尺寸 Boundary Dimensions			M Nm	基本额定负荷 Basic Load Rating				极限转速 Limiting Speed rpm
d1	B3	e		动 Dynamic	静 Static	作为支承滚轮 As yoke type track rollers		
mm						动 Cw	静 Cow	
				N				
9	7	0.5	3	3800	3750	3150	3300	22000
9	7	0.5	3	3800	3750	3150	3300	16000
9	7	0.5	3	6400	8500	4850	6500	8500
9	7	0.5	3	6400	8500	4850	6500	8500
11	9	0.5	8	4250	4600	3500	3900	20000
11	9	0.5	8	4250	4600	3500	3900	14000
11	9	0.5	8	7300	10800	5500	7900	7000
11	9	0.5	8	7300	10800	5500	7900	7000
13	10	0.5	15	5700	6500	4450	5200	16000
13	10	0.5	15	5700	6500	4450	5200	11000
13	10	0.5	15	8600	12900	6300	9100	6000
13	10	0.5	15	8600	12900	6300	9100	6000
13	10	0.5	15	5700	6500	5100	6200	16000
13	10	0.5	15	5700	6500	5100	6200	11000
13	10	0.5	15	8600	12900	7300	11300	6000
13	10	0.5	15	8600	12900	7300	11300	6000
15	11	0.5	22	8100	9700	6800	8400	11000
15	11	0.5	22	8100	9700	6800	8400	8300
15	11	0.5	22	12200	19000	9500	14600	4500
15	11	0.5	22	12200	19000	9500	14600	4500
15	11	0.5	22	8100	9700	7100	9000	11000
15	11	0.5	22	8100	9700	7100	9000	8300
15	11	0.5	22	12200	19000	10000	15800	4500
15	11	0.5	22	12200	19000	10000	15800	4500
20	14	1	58	12900	19000	9700	14100	7000
20	14	1	58	12900	19000	9700	14100	7000
20	14	1	58	18300	35000	12800	23000	3400
20	14	1	58	18300	35000	12800	23000	3400
20	14	1	58	23000	27000	16000	18300	6500
22	16	1	87	14200	20400	10900	15500	6000
22	16	1	87	14200	20400	10900	15500	6000
22	16	1	87	21000	39500	14800	26500	2900
22	16	1	87	21000	39500	14800	26500	2900
22	16	1	87	24800	31000	18500	22800	5500
24	18	1	120	19500	32000	15500	25500	4900
24	18	1	120	19500	32000	15500	25500	4900
24	18	1	120	28000	59000	20600	42000	2600
24	18	1	120	28000	59000	20600	42000	2600
24	18	1	120	39000	50000	28000	34500	4200

曲线滚轮轴承

Curve Roller Bearings



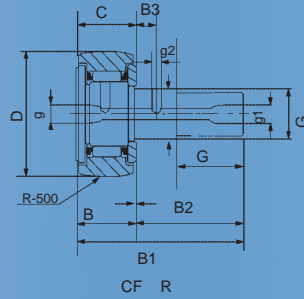
外径 Shaft Diameter	轴承型号 Bearing Designation		外形尺寸 Boundary Dimensions												
		带偏心套 With eccentric sleeve	D	d	C	ra	B	B1	B2	G	G1	M	Mn	C1	d2
mm			mm					min	mm						
52	KR 52	KRE 52	52	20	24	1	66	40.5	9	M 20 × 1.5	21	8	4	0.8	37
	KR 52 PP	KRE 52PP	52	20	24	1	66	40.5	9	M 20 × 1.5	21	8	4	0.8	37
	KRV 52	KRVE 52	52	20	24	1	66	40.5	9	M 20 × 1.5	21	8	4	0.8	37
	KRV 52 PP	KRVE 52PP	52	20	24	1	66	40.5	9	M 20 × 1.5	21	8	4	0.8	37
	NUKR 52	NUKRE 52	52	20	24	1	66	40.5	9	M 20 × 1.5	21	8	4	0.8	31
62	KR 62	KRE 62	62	24	29	1	80	49.5	11	M 24 × 1.5	25	8	4	0.8	44
	KR 62 PP	KRE 62 PP	62	24	29	1	80	49.5	11	M 24 × 1.5	25	8	4	0.8	44
	KRV 62	KRVE 62	62	24	29	1	80	49.5	11	M 24 × 1.5	25	8	4	0.8	44
	KRV 62 PP	KRVE 62PP	62	24	29	1	80	49.5	11	M 24 × 1.5	25	8	4	0.8	44
	NUKR 62	NUKRE 62	62	24	29	1	80	49.5	11	M 24 × 1.5	25	8	4	0.8	38
72	KR 72	KRE 72	72	24	29	1.1	80	49.5	11	M 24 × 1.5	25	8	4	0.8	44
	KR 72 PP	KRE 72 PP	72	24	29	1.1	80	49.5	11	M 24 × 1.5	25	8	4	0.8	44
	KRV 72	KRVE 72	72	24	29	1.1	80	49.5	11	M 24 × 1.5	25	8	4	0.8	44
	KRV 72 PP	KRVE 72 PP	72	24	29	1.1	80	49.5	11	M 24 × 1.5	25	8	4	0.8	44
	NUKR 72	NUKRE 72	72	24	29	1.1	80	49.5	11	M 24 × 1.5	25	8	4	0.8	44
80	KRV 80	KRE 80	80	30	35	1.1	100	63	15	M 30 × 1.5	32	8	4	1	53
	KR 80 PP	KRE 80 PP	80	30	35	1.1	100	63	15	M 30 × 1.5	32	8	4	1	53
	KRV 80	KRVE 80	80	30	35	1.1	100	63	15	M 30 × 1.5	32	8	4	1	53
	KRV 80 PP	KRVE 80 PP	80	30	35	1.1	100	63	15	M 30 × 1.5	32	8	4	1	53
	NUKR 80	NUKRE 80	80	30	35	1.1	100	63	15	M 30 × 1.5	32	8	4	1	47
85	KR 85	KRE 85	85	30	35	1.1	100	63	15	M 30 × 1.5	32	8	4	1	53
	KR 85 PP	KRE 85 PP	85	30	35	1.1	100	63	15	M 30 × 1.5	32	8	4	1	53
90	KR90	KRE 90	90	30	35	1.1	100	63	15	M 30 × 1.5	32	8	4	1	53
	KR 90 PP	KRE 90 PP	90	30	35	1.1	100	63	15	M 30 × 1.5	32	8	4	1	53
	KRV 90	KRVE 90	90	30	35	1.1	100	63	15	M 30 × 1.5	32	8	4	1	53
	KRV 90 PP	KRVE 90 PP	90	30	35	1.1	100	63	15	M 30 × 1.5	32	8	4	1	53
		NUKRE 90	90	30	35	1.1	100	63	15	M 30 × 1.5	32	8	4	1	47



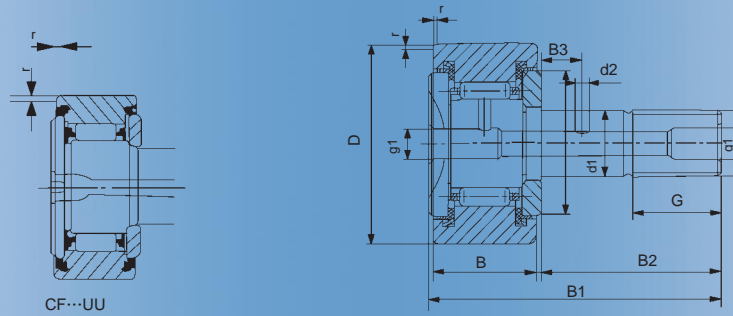
外形尺寸 Boundary Dimensions			M Nm	基本额定负荷 Basic Load Rating				极限转速 Limiting Speed
d1	B3	e		动 Dynamic	静 Static	作为支承滚轮 As yoke type track rollers		rpm
						动 Cw	静 Cow	
mm			N					
24	18	1	120	19500	32000	16800	38500	4900
24	18	1	120	19500	32000	16800	28500	4900
24	18	1	120	28000	59000	22500	48000	2600
24	18	1	120	28000	59000	22500	48000	2600
24	18	1	120	43500	60000	29000	37500	3400
28	22	1	220	30500	53000	26500	47500	3800
28	22	1	220	30500	53000	26500	47500	3800
28	22	1	220	41500	91000	34000	76000	2200
28	22	1	220	41500	91000	34000	76000	2200
28	22	1	220	59000	79000	40500	51000	2600
28	22	1	220	30500	53000	28000	53000	3800
28	22	1	220	30500	53000	28000	53000	3800
28	22	1	220	41500	91000	37000	85000	2200
28	22	1	220	41500	91000	37000	85000	2200
28	22	1	220	65000	93000	45000	61000	2100
35	29	1.5	450	45000	85000	39500	77000	2600
35	29	1.5	450	45000	85000	39500	77000	2600
35	29	1.5	450	60000	1420000	49500	1200000	1700
35	29	1.5	450	60000	142000	49500	120000	1700
35	29	1.5	450	95000	133000	67000	93000	1800
35	29	1.5	450	45000	85000	40500	80000	2600
35	29	1.5	450	45000	85000	40500	80000	2600
35	29	1.5	450	45000	85000	41500	83000	2600
35	29	1.5	450	45000	85000	41500	83000	2600
35	29	1.5	450	60000	142000	53000	130000	1700
35	29	1.5	450	60000	142000	53000	130000	1700
35	29	1.5	450	95000	133000	77000	110000	1800

曲线滚轮轴承

Curve Roller Bearings



Stud dia	Identification number				Weight (Ref.) g	外形尺寸 Boundary Dimensions			
	Shoeld type		Sealed type			D	C	d1	G
	With crowned outer ring	With cylindrical outer ring	With crowned outer ring	With cylindrical outer ring					
mm									
6	CF 6 R	CF 6	CF 6 UUR	CF 6 UU	18.5	16	11	6	M6x1
8	CF 8 R	CF 8	CF 8 UUR	CF 8 UU	28.5	19	11	8	M8x1.25
10	CF 10 R	CF 10	CF 10 UUR	CF 10 UU	45	22	12	10	M10x1.25
	CF 10-1 R	CF 10-1	CF 10-1 UUR	CF 10-1 UU	60	26	12	10	M10x1.25
12	CF 12 R	CF 12	CF 12 UUR	CF 12 UU	95	30	14	12	M12x1.5
	CF 12-1 R	CF 12-1	CF 12-1 UUR	CF 12-1 UU	105	32	14	12	M12x1.5
16	CF 16 R	CF 16	CF 16 UUR	CF 16 UU	170	35	18	16	M16x1.5
18	CF 18 R	CF 18	CF 18 UUR	CF 18 UU	250	40	20	18	M18x1.5
20	CF 20 R	CF 20	CF 20 UUR	CF 20 UU	460	52	24	20	M20x1.5
	CF 20-1 R	CF 20-1	CF 20-1 UUR	CF 20-1 UU	385	47	24	20	M20x1.5
24	CF 24 R	CF 24	CF 24 UUR	CF 24 UU	815	62	29	24	M24x1.5
	CF 24-1 R	CF 24-1	CF 24-1 UUR	CF 24-1 UU	1140	72	29	24	M24x1.5
30	CF 30 R	CF 30	CF 30 UUR	CF 30 UU	1870	80	35	30	M30x1.5
	CF 30-1 R	CF 30-1	CF 30-1 UUR	CF 30-1 UU	2030	85	35	30	M30x1.5
	CF 30-2 R	CF 30-2	CF 30-2 UUR	CF 30-2 UU	2220	90	35	30	M30x1.5



Boundary dimensions									Mounting dimension f Min. mm	Maximum tightening torque Kgf.m	Basic dynamic load rating C kgf	Basic static load rating Co kgf	Maximum allowable load kgf
G1	B	B1	B2	B3	C1	g1	g2	rsmín					
8 (9)	12.2max (12)	28.2max (28)	16		0.6 (0.5)	*4		0.3	11	0.3	370	370	200
10 (11)	12.2max (12)	32.2max (32)	20		0.6 (0.5)	*4		0.3	13	0.8	430	480	470
12 (13)	13.2max (13)	36.2max (36)	23		0.6 (0.5)	*4		0.3 (0.6)	16 (15)	1.2	550 (490)	700 (590)	700 (590)
12 (13)	13.2max (13)	36.2max (36)	23		0.6 (0.5)	*4		0.3 (0.6)	16 (15)	1.2	550 (490)	700 (590)	700 (590)
13 (14)	15.2max (15)	40.2max (42)	25	6	0.6 (0.5)	6	3	0.6 (1)	21	2.2	810	1000	1000
13 (14)	15.2max (15)	40.2max (42)	25	6	0.6 (0.5)	6	3	0.6 (1)	21	2.2	810	1000	1000
17 (18)	19.6max (19.5)	52.1max (52)	32.5	8	0.8	6	3	0.6 (1)	26 (25)	5.8	1230 (1180)	1870 (1760)	1870 (1760)
19 (20)	21.6max (21.5)	58.1max (58)	36.5	8	0.8	6	3	1	29	8.5	1500 (1600)	2570 (2770)	2570 (2710)
21 (22)	25.6max (25.5)	66.1max (66)	40.5	(10) 9	0.8	8	4	1	34 (37)	12	21110 (2200)	3530 (3850)	3280
21 (22)	25.6max (25.5)	66.1max (66)	40.5	(12) 9	0.8	8	4	1	34 (37)	12	21110 (2200)	3530 (3850)	3280
25	30.6max (30.5)	80.1max (80)	49.5	(12) 11	0.8	8	4	1	40	22	31110 (2930)	5370 (4980)	4550
25	30.6max (30.5)	80.1max (80)	49.5	(12)	0.8	8	4	1	40	22	31110 (2930)	5370 (4980)	4550
32	37max (37)	100max (100)	63	15	1	8	4	1 (1.5)	49 (47)	46	4630 (3410)	8680 (7380)	7510 (7380)
32	37max (37)	100max (100)	63	15	1	8	4	1 (1.5)	49 (47)	46	4630 (3410)	8680 (7380)	7510 (7380)
32	37max (37)	100max (100)	63	15	1	8	4	1 (1.5)	49 (47)	46	4630 (3410)	8680 (7380)	7510 (7380)

常州亚派轴承有限公司 0519-88995562

内圈用作滚动轴承的滚道，在与滚针轴承配合使用时为普通游隙，并且具有互换性。IR系列内圈均经过热处理并进行精密加工。LR系列内圈均经过热处理和磨削，但端面倒角不磨削。

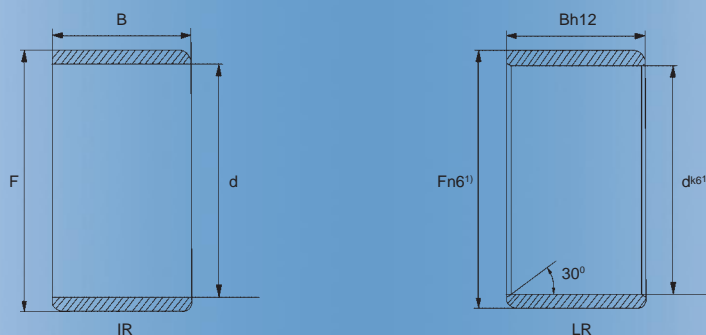
本公司亦可生产普通和高精度的内圈，并生产各类英制系列内圈。



内圈 IR、LR
Inner Ring IR, LR

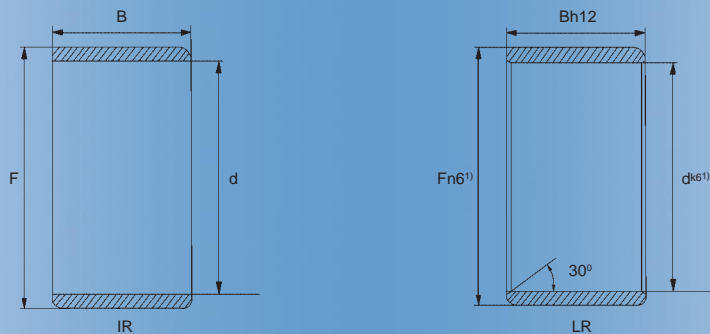
The inner ring is used as the rollway of roller bearing. It is the common free gap when it is used in combination with needle roller bearing and has the changeability. Series IR inner ring is machined with precision machining after heat treatment. Series LR inner ring is ground after heat treatment. The chamfer in end face is not ground.

The common and high-precision inner rings can be produced in our company. All inch-system inner rings can be provided.



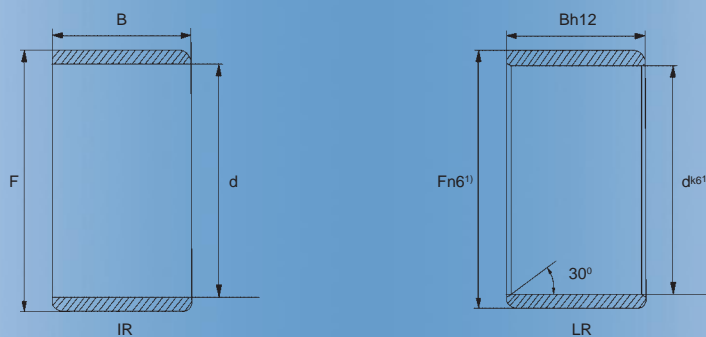
轴径 Shaft Diam- eter	轴承型号 Bearing Designation	重量 Mass 近似 Approx	外形尺寸 Boundary Dimensions		
			d	F	B
mm		g	mm		
5	IR5X8X12	2.79	5	8	12
	IR5X8X16	3.75	5	8	16
6	IR 6X9X12	3.17	6	9	12
	IR 6X9X16	4.3	6	9	16
	IR6X10X10	3.7	6	10	10
7	IR6X10X12	4.6	6	10	12
	IR7X10X10.5	3.09	7	10	10.5
	IR7X10X12	3.61	7	10	12
	IR7X10X15.5		7	10	15.5
7.8	IR7X10X16	4.9	7	10	16
	IR06X12X10.5C		7.8	12.2	10.7
8	IR8X12X10	4.8	8	12	10
	IR/LR8X12X10.5	5	8	12	10.5
	IR8X12X12	5.7	8	12	12
	IR/LR8X12X12.5	5.9	8	12	12.5
	IR8X12X15.5		8	12	15.5
	IR8X12X16		8	12	16
	IR8X12X5.5		8	12	5.5
	IR8X13X39		8	13	39
9	IR9X12X7		9	12	7
	IR9X12X12	4.5	9	12	12
	IR9X12X12.5		9	12	12.5
	IR9X12X16	6.1	9	12	16
	IR9X16X16		9	16	16
10	IR10X13X12		10	13	12
	IR/LR10X13X12.5	5.2	10	13	12.5
	IR10X14X10.5		10	14	10.5
	IR10X14X12	7.3	10	14	12
	IR10X14X13	7.4	10	14	13
	IR10X14X14	8	10	14	14
	IR10X14X16	9.2	10	14	16
	IR10X14X16.5		10	14	16.5
	IR10X14X20	11.6	10	14	20
	IR10X14X20.5		10	14	20.5
	IR10X15X13		10	15	13
	IR10X15X13.5		10	15	13.5
	IR10X15X20.5		10	15	20.5
IR10X15X25.5		10	15	25.5	
14	2R10X16X14		10	16	14

轴径 Shaft Diam- eter	轴承型号 Bearing Designation	重量 Mass 近似 Approx	外形尺寸 Boundary Dimensions		
			d	F	B
mm		g	mm		
10	IR10X16X15		10	16	15
	IR10X16X16		10	16	16
	IR10X17X15		10	17	15
	IR10X20X20.5		10	20	20.5
	IR10X20X30.5		10	20	30.5
12	IR12X14X15.5		12	14	15.5
	IR12X15X12	5.8	12	15	12
	IR/LR12X15X12.5	6.1	12	15	12.5
	IR12X15X16	8	12	15	16
	IR/LR12X15X16.5	8.1	12	15	16.5
	IR/LR12X15X22.5	11	12	15	22.5
	IR12X15X16.5		12	15	16.5
	IR 12X15X16		12	15	16
	IR12X15X19		12	15	19
	IR12X15X22.5		12	15	22.5
	IR12X16X12	7.9	12	16	12
	IR12X16X12		12	16	12
	IR12X16X12.5		12	16	12.5
	IR12X16X13	8.7	12	16	13
	IR12X16X14	9.5	12	16	14
	IR12X16X14.5		12	16	14.5
	IR12X16X15		12	16	15
	IR12X16X16	11	12	16	16
	IR12X16X16		12	16	16
	IR12X16X16.5		12	16	16.5
	IR12X16X17		12	16	17
	IR12X16X20	13.5	12	16	20
	IR12X16X20.5		12	16	20.5
IR12X16X22		12	16	22	
IR12X16X22.5		12	16	22.5	
IR12X16X23.5		12	16	23.5	
IR12X17X15.5		12	17	15.5	
IR12X17X20		12	17	20	
IR12X17X20.5		12	17	20.5	
IR12X17X22.5		12	17	22.5	
IR12X17X25.5		12	17	25.5	
13	IR13X16X20.5		13	16	20.5
14	IR14X16X16		14	16	16
	IR14X17X17	10	14	17	17



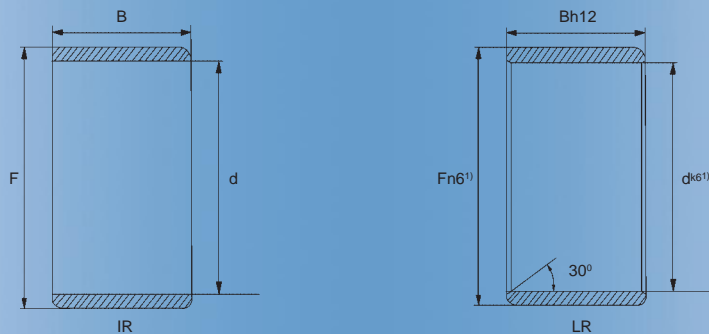
轴径 Shaft Diam- eter	轴承型号 Bearing Designation	重量 Mass 近似 Approx	外形尺寸 Boundary Dimensions		
			d	F	B
mm		g	mm		
14	IR14X25X30		14	25	30
15	IR15X18X12.5	7.2	15	18	12.5
	IR15X18X15.5		15	18	15.5
	IR15X18X16	9.6	15	18	16
	IR15X18X16.5	9.9	15	18	16.5
	IR15X18X17.5		15	18	17.5
	IR15X18X20.5		15	18	20.5
	IR15X19X10		15	19	10
	IR15X19X13.5		15	19	13.5
	IR15X19X16	12.8	15	19	16
	IR15X19X16.5		15	19	16.5
	IR15X19X20	16.4	15	19	20
	IR15X19X20.5		15	19	20.5
	□ IR15X20X12	12.1	15	20	12
	IR15X20X13	13.5	15	20	13
	■ IR15X20X14	14.7	15	20	14
	IR15X20x14 孔		15	20	14
	IR15X20X15		15	20	15
	IR15X20X15.5		15	20	15.5
	IR15X20X16		15	20	16
	IR15X20X18		15	20	18
	IR15X20X20		15	20	20
IR15X20X20.5		15	20	20.5	
IR15X20X23	24.4	15	20	23	
IR15X20X25.5		15	20	25.5	
IR15X20X30.5		15	20	30.5	
16	IR16X20X14		16	20	14
	IR16X20X16		16	20	16
	IR16X20X20		16	20	20
	IR16X20X32		16	20	32
	IR16X24X20		16	24	20
17	IR17X20X16	10.7	17	20	16
	IR17X20X16.5	11.1	17	20	16.5
	IR17X20X20	13.5	17	20	20
	IR17X20X20.5	13.8	17	20	20.5
	IR17X20X30		17	20	30
	IR17X20X30.5	20.6	17	20	30.5
	IR17X21X16	14.3	17	21	16
	IR17X21X16.5		17	21	16.5

轴径 Shaft Diam- eter	轴承型号 Bearing Designation	重量 Mass 近似 Approx	外形尺寸 Boundary Dimensions		
			d	F	B
mm		g	mm		
17	IR17X21X20	18	17	21	20
	IR17X21X20.5		17	21	20.5
	IR17X22X13	14.9	17	22	13
	■ IR17X22X14	16.4	17	22	14
	IR17X22X15.5		17	22	15.5
	IR17X22X16	18.7	17	22	16
	IR17X22X20.5		17	22	20.5
	IR17X22X23	27.1	17	22	23
	IR17X22X26		17	22	26
	IR17X22X32		17	22	32
	IR17X22X20	33.6	17	24	20
	18	IR18X22X17.8		18	22
IR18X22X19			18	22	19
20	IR20X24X16	16.5	20	24	16
	IR20X24X16.5		20	24	16.5
	IR20X24X28.5		20	24	28.5
	IR20X25X10.5		20	25	10.5
	IR20X25X12.5	20	20	25	12.5
	IR20X25X15.5		20	25	15.5
	IR20X25X17	22.4	20	25	17
	IR20X25X18	24.3	20	25	18
	IR20X25X20	27.5	20	25	20
	IR20X25X20.5	28.2	20	25	20.5
	IR20X25X23		20	25	23
	IR20X25X25		20	25	25
	IR20X25X25.5		20	25	25.5
	IR20X25X26		20	25	26
	IR20X25X26.5	36.1	20	25	26.5
	IR20X25X30	40.9	20	25	30
	IR20X25X30.5		20	25	30.5
	IR20X25X32		20	25	32
	IR20X25X32A		20	25	32
	IR20X25X320H		20	25	32
IR20X25X38.5	52.5	20	25	38.5	
IR20X26X16		20	26	16	
IR20X26X20		20	26	20	
IR20X28X20	45.2	20	28	20	
IR20X30X30		20	30	30	
22	IR22X26X20	23.2	22	26	20



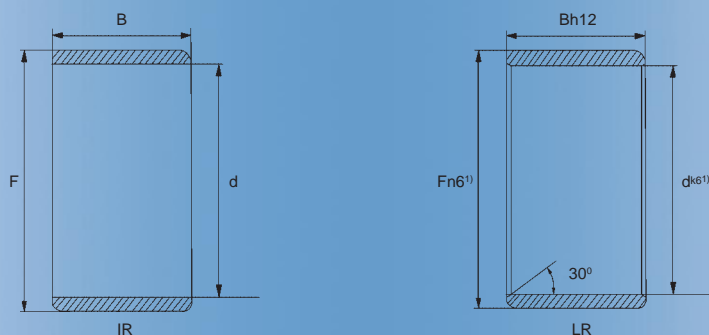
轴径 Shaft Diam- eter	轴承型号 Bearing Designation	重量 Mass 近似 Approx	外形尺寸 Boundary Dimensions		
			d	F	B
mm		g	mm		
22	IR22X26X16	17.5	22	26	16
	IR22X26X20.5		22	26.5	20.5
	IR22X28X17	29.8	22	28	17
	IR22X28X20	35	22	28	20
	IR22X28X20.5	36	22	28	20.5
	IR22X28X30		22	28	30
	IR22X28X30.5		22	28	30.5
	IR22X28X20.5		22	28	20.5
	IR22X28X30		22	28	30
	IR22X31.5X19.8		22	31.5	19.8
IR22X32X20		22	32	20	
25	IR25X29X20	25.5	25	29	20
	IR25X29X20.5		25	29	20.5
	IR25X29X30	39.3	25	29	30
	IR25X29X30.5		25	29	30.5
	IR25X29X40		25	29	40
	IR25X30X12.5		25	30	12.5
	IR25X30X15.5	20	25	30	15.5
	□ IR25X30X16 孔	26	25	30	16
	IR25X30X16		25	30	16
	IR25X30X16.5	26.7	25	30	16.5
	IR25X30X16		25	30	16
	■ IR25X30X17	27.5	25	30	17
	IR25X30X18	29.8	25	30	18
	IR25X30X20	32.6	25	30	20
	IR25X30X20.5	33.5	25	30	20.5
	IR25X30X22		25	30	22
	IR25X30X25.5		25	30	25.5
	IR25X30X26		25	30	26
	IR25X30X26.5	43.3	25	30	26.5
	IR25X30X30	50.1	25	30	30
IR25X30X30.5		25	30	30.5	
IR25X30X32	53	25	30	32	
IR25X30X32.5		25	30	32.5	
IR25X30X38		25	30	38	
IR25X30X38.5	63.8	25	30	38.5	
IR25X32X22	51.7	25	30	22	
28	IR28X32X17	24.5	28	32	17
	IR28X32X20	28.4	28	32	20

轴径 Shaft Diam- eter	轴承型号 Bearing Designation	重量 Mass 近似 Approx	外形尺寸 Boundary Dimensions		
			d	F	B
mm		g	mm		
28	IR28X32X23		28	32	23
	IR28X32X30	43.8	28	32	30
	IR28X32X30.5		28	32	30.5
	IR28X32X47		28	32	47
29	IR29X32X13	14.8	29	32	13
	IR29X35X26		29	35	26
30	IR30X35X12.5	23.3	30	35	12.5
	IR30X35X13	25	30	35	13
	IR30X35X15.5		30	35	15.5
	IR30X35X16	30.8	30	35	16
	IR30X35X17	32.3	30	35	17
	■ IR30X35X18	35.3	30	35	18
	IR30X35X20	40	30	35	20
	IR30X35X20.5	40.7	30	35	20.5
	IR30X35X25.5		30	35	25.5
	IR30X35X26	50.3	30	35	26
	IR30X35X30	58.9	30	35	30
	IR30X35X30.5		30	35	30.5
	IR30X35X32		30	35	32
	IR30X37X18	50	30	37	18
	IR30X37X22	60.8	30	37	22
	IR30X37X22A		30	37	22.1
	□ IR30X38X20	64.8	30	38	20
	IR30X38X20A		30	38	20
IR30X38X20ASI		30	38	20	
IR30X40X17		30	40	17	
32	IR32X34X20.5		32	34	20.5
	IR32X37X20	42	32	37	20
	IR32X37X20.5		32	37	20.5
	IR32X37X30	62.7	32	37	30
	IR32X38X20.5		32	38	20.5
	IR32X38X30.5		32	38	30.5
	IR32X40X20	68	32	40	20
	IR32X40X36	124	32	40	36
IR32X40X36A1		32	40	36	
33	IR33X37X13	21.9	33	37	13
34	IR34X42X20		34	42	20
35	IR35X40X12.5	27.2	35	40	12.5
	IR35X40X15		35	40	15



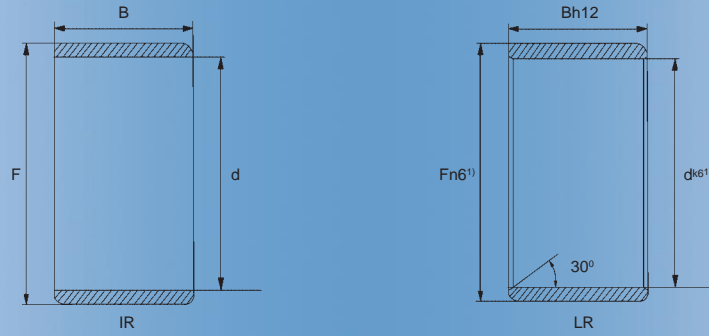
轴径 Shaft Diam- eter	轴承型号 Bearing Designation	重量 Mass 近似 Approx	外形尺寸 Boundary Dimensions		
			d	F	B
mm		g	mm		
35	IR35X40X15.5		35	40	15.5
	IR35X40X16.5	37.4	35	40	16.5
	IR35X40X17	38.3	35	40	17
	IR35X40X20	44.4	35	40	20
	IR35X40X20.5	46.1	35	40	20.5
	IR35X40X21		35	40	21
	IR35X40X25		35	40	25
	IR35X40X25.5		35	40	25.5
	IR35X40X30	67.9	35	40	30
	IR35X40X30.5		35	40	30.5
	IR35X40X34		35	40	34
	IR35X40X40		35	40	40
	□ IR35X42X20	63.9	35	42	20
	IR35X42X20.5	66	35	42	20.5
	■ IR35X42X21	67.7	35	42	21
	■ IR35X42X23	74	35	42	23
	IR35X42X36	117	35	42	36
	IR35X42X37		35	42	37
	IR35X43X22	82	35	43	22
	IR35X65X28		35	65	28
36	IR36.2X50X25.5		36	50	25.5
38	IR38X43X20	48.1	38	43	20
	IR38X43X30	73.6	38	43	30
	IR38X45X46		38	45	46
40	IR40X45X12		40	45	12
	IR40X45X16		40	45	16
	IR40X45X16.5	41.4	40	45	16.5
	IR40X45X17	42.5	40	45	17
	IR40X45X20	50.5	40	45	20
	IR40X45X20.5	52.5	40	45	20.5
	IR40X45X22.5		40	45	22.5
	IR40X45X25		40	45	25
	IR40X45X25.5		40	45	25.5
	IR40X45X30	77.1	40	45	30
	IR40X45X30.5		40	45	30.5
	IR40X45X34		40	45	34
	IR40X45X40		40	45	40
	IR40X45X40.5		40	45	40.5
	IR40X45X40ASI		40	45	40

轴径 Shaft Diam- eter	轴承型号 Bearing Designation	重量 Mass 近似 Approx	外形尺寸 Boundary Dimensions			
			d	F	B	
mm		g	mm			
40	IR40X48X22		40	48	22	
	■ IR40X48X23		40	48	23	
	IR40X48X30		40	48	30	
	IR40X48X40		40	48	40	
	IR40X49.5X40		40	49.5	40	
	IR40X50X20.5		40	50	20.5	
	□ IR40X50X20		40	50	20	
	IR40X50X22		40	50	22	
	IR40X50X35		40	50	35	
	IR40X55X17		40	55	17	
	42	IR42X47X20		42	47	20
		IR42X47X30		42	47	30
44	IR44X52X32		44	52	32	
45	IR45X50X14		45	50	14	
	IR45X50X15.5		45	50	15.5	
	IR45X50X20		45	50	20	
	IR45X50X20.5		45	50	20.5	
	IR45X50X25		45	50	25	
	IR45X50X25.5		45	50	25.5	
	IR45X50X26		45	50	26	
	IR45X50X30.5		45	50	30.5	
	IR45X50X35		45	50	35	
	IR45X50X40		45	50	40	
	IR45X50X40.5		45	50	40.5	
	IR45X50X45.5		45	50	45.5	
	IR45X52X22		45	52	22	
	■ IR45X52X23		45	52	23	
	IR45X52X40		45	52	40	
	□ IR45X55X20		45	55	20	
	IR45X55X22		45	55	22	
	IR45X55X40		45	55	40	
45.2	IR45.2X58X36		42.5	58	36	
47	IR47X60X35		47	60	35	
48	IR48X55X20		48	55	20	
50	IR50X55X17		50	55	17	
	□ IR50X55X20		50	55	20	
	IR50X55X20.5		50	55	20.5	
	IR50X55X25		50	55	25	
	IR50X55X25.5		50	55	25.5	



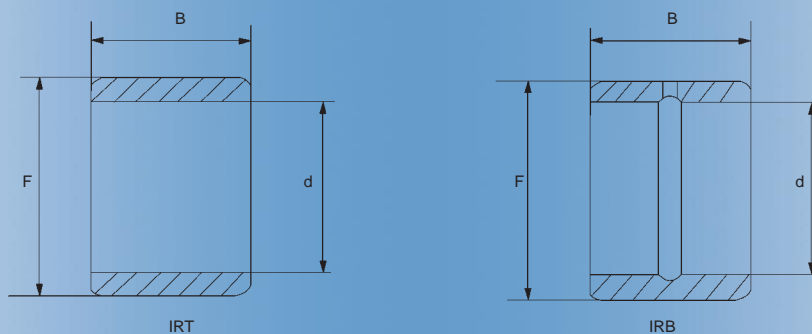
轴径 Shaft Diam- eter	轴承型号 Bearing Designation	重量 Mass 近似 Approx	外形尺寸 Boundary Dimensions		
			d	F	B
mm		g	mm		
50	IR50X55X26		50	55	26
	IR50X55X35	112	50	55	35
	IR50X55X40		50	55	40
	IR50X55X42		50	55	42
	IR50X55X45.5		50	55	45.5
	IR50X55X20		50	55.3	20.3
	IR50X56X21.5		50	56	21.5
	IR50X58X16		50	58	16
	IR50X58X22	115	50	58	22
	■ IR50X58X23	119	50	58	23
	IR50X58X40	209	50	58	40
	□ IR50X60X20	129	50	60	20
	IR50X60X25	163	50	60	25
	IR50X60X25.5		50	60	25.5
	IR50X60X28	183	50	60	28
	IR50X60X50		50	60	50
IR50X60X50.5		50	60	50.5	
51	IR51X63X52		51	63	52
54	IR54X60X25		54	60	25
55	IR55X60X12		55	60	12
	IR55X60X25	86	55	60	25
	IR55X60X32.5EGS		55	60	32.5
	IR55X60X35	121	55	60	35
	IR55X60X36EGS		55	60	36
	IR55X63X25	141	55	63	25
	IR55X63X45	256	55	63	45
	IR55X63X65.25		55	63	65.25
	IR55X65X20		55	65	20
	IR55X65X25		55	65	25
	IR55X65X28	198	55	65	28
	IR55X65X30		55	65	30
	IR55X65X60		55	65	60
	IR55X65X90		55	65	90
	IR55X65X110		55	65	110
60	IR60X68X25	152	60	68	25
	IR60X68X35	213	60	68	35
	IR60X68X45	275	60	68	45
	IR60X70X30		60	70	30
	IR60X70X25	195	60	70	25

轴径 Shaft Diam- eter	轴承型号 Bearing Designation	重量 Mass 近似 Approx	外形尺寸 Boundary Dimensions		
			d	F	B
mm		g	mm		
60	IR60X70X28	216	60	70	28
	IR60X70X30		60	70	30
	IR60X70X35		60	70	35
	IR60X70X60		60	70	60
	IR60X73X35		60	73	35
65	IR65X72X25	142	65	72	25
	IR65X72X45	259	65	72	45
	IR65X73X25	164	65	73	25
	IR65X75X28	230	65	75	28
IR65X75X30		65	75	30	
70	IR70X80X25	224	70	80	25
	IR70X80X30	267	70	80	30
	IR70X80X54	487	70	80	54
	IR70X80X56	506	70	80	56
	IR70X80X60		70	80	60
IR70X80X80		70	80	80	
73	IR73X80X35		73	80	35
75	IR75X85X35	238	75	85	25
	IR75X85X25	287	75	85	30
	IR75X85X54	520	75	85	54
78	IR78X90X80		78	90	80
80	IR80X90X25	254	80	90	25
	IR80X90X30	304	80	90	30
	IR80X90X35	355	80	90	35
	IR80X90X54	550	80	90	54
	IR80X92X50		80	92	50
85	IR85X95X26	280	85	95	26
	IR85X95X30		85	95	30
	IR85X100X35	580	85	100	35
	IR85X95X36		85	95	36
	IR85X100X63	100	85	100	63
88	IR88X100X30		88	100	30
90	IR90X100X26	294	90	100	26
	IR90X100X30	340	90	100	30
	IR90X105X36	610	90	105	35
	IR90X110X35	1110	90	110	56
95	IR95X105X26	313	95	105	26
130	IR130X150X50	1690	130	150	50



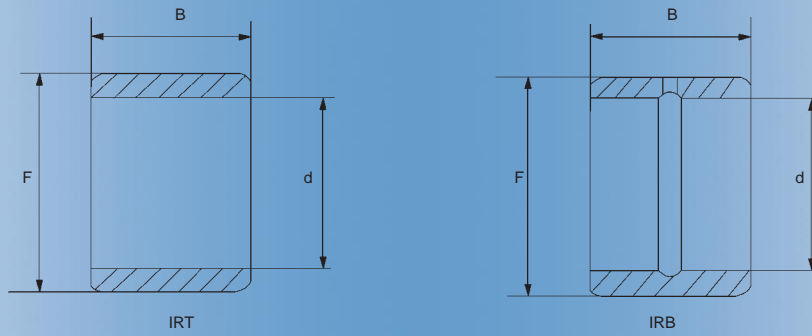
轴 径 Shaft Diam- eter	轴 承 型 号 Bearing Designation	重 量 Mass 近 似 Approx	外 形 尺 寸 Boundary Dimensions		
			d	F	B
mm		g	mm		
130	IR130X150X60		130	150	60
140	IR140X150X40	1800	140	150	40
	IR140X160X50		140	160	50
	IR140X160X50A		140	160	50
150	IR150X165X40	1120	150	165	40
	IR150X165X50		150	165	50
	IR150X170X60		150	170	60
160	IR160X175X70	1200	160	175	70
170	IR170X180X45		170	180	45
	IR170X185X45		170	185	45
220	IR220X240X50		220	240	50

常州亚派轴承有限公司 0519-88995562



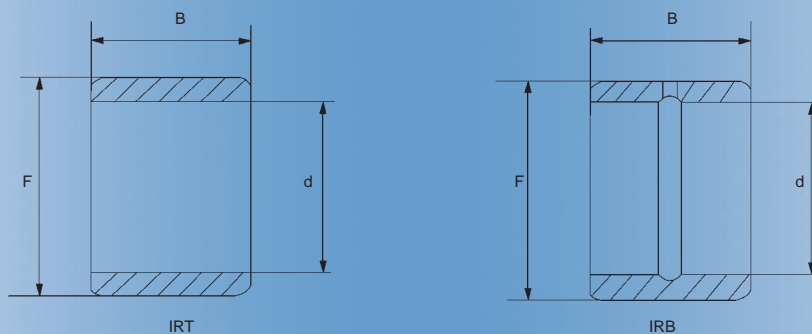
轴径 Shaft Diam- eter	轴承型号 Bearing Designation	重量 Mass 近似 Approx	外形尺寸 Boundary Dimensions		
			d	F	B
mm		g	mm		
6	IRT6912		6	9	12
	IRT61912		6	19	12
	IRT61916		6	19	16
7	IRT710	3.2	7	10	10.5
	IRT712	3.9	7	10	12.5
	IRT715	4.8	7	10	15.5
8	IRT81011		8	10	11
	IRT81210		8	12	10
	IRT81212		8	12	12
	IRT81215		8	12	15
9	IRT815	7.5	8	12	15.5
	IRT91211		9	12	11
	IRT91212		9	12	12
	IRT91216		9	12	16
10	IRT101312		10	13	12
	IRT1012-2	7.2	10	14	12.5
	IRT101416		10	14	16
	IRT101420		10	14	20
	IRT101515		10	15	15
	IRT1015-1	11.7	10	15	15.5
	IRT101520		10	15	20
12	IRT101525		10	15	25
	IRT121512		12	15	12
	IRT121516.5	8.1	12	15	16.5
	IRT121522		12	15	22
	IRT121612		12	16	12
	IRT1212-1	8.5	12	16	12.5
	IRT1216-1	11.2	12	16	16.5
	IRT121620		12	16	20
	IRT121622		12	16	22
15	IRT121715		12	17	15
	IRT15815		15	18	15
	IRT1516	9.9	15	18	16.5
	IRT151820		15	18	20
	IRT151825		15	18	25
	IRT151910		15	19	10
	IRT151916		15	19	16
	IRT151920		15	19	20
IRT152012		15	20	12	

轴径 Shaft Diam- eter	轴承型号 Bearing Designation	重量 Mass 近似 Approx	外形尺寸 Boundary Dimensions		
			d	F	B
mm		g	mm		
15	IRT152013		15	20	13
	IRT152015		15	20	15
	IRT152018		15	20	18
	IRT152020		15	20	20
	IRT15202		15	20	23
	IRT152025		15	20	35
16	IRT152030		15	20	30
	IRT162220		16	22	20
17	IRT172020		17	20	20
	IRT1720	13.7	17	20	20.5
	IRT172030		17	20	30
	IRT1730	20.5	17	20	30.5
	IRT172116		17	21	16
	IRT1716-1	15.1	17	21	16.5
	IRT172120		17	21	20
	IRT1720-1	18.8	17	21	20.5
	IRT172213		17	22	13
	IRT172215		17	22	15
	IRT1715-2	18.3	17	22	15.5
	IRT1716-2	19.4	17	22	16.5
	IRT172228		17	22	28
	IRT172220		17	22	20
	IRT1720-2	24	17	22	20.5
	IRT172223		17	22	23
	IRT172225		17	22	25
	IRT1725-2	30	17	22	25.5
	IRT172230		17	22	30
	IRT1730-2	36	17	22	30.5
IRT172232		17	22	32	
IRT172413		17	24	13	
IRT172420		17	24	20	
18	IRT182213		18	22	13
	IRT182220		18	22	20
20	IRT202416		20	24	16
	IRT2016	17.5	20	24	16.5
	IRT202420		20	24	20
	IRT2020	22	20	24	20.5
	IRT2028	3.5	20	24	28.5
IRT2010-1	14.3	20	25	10.5	



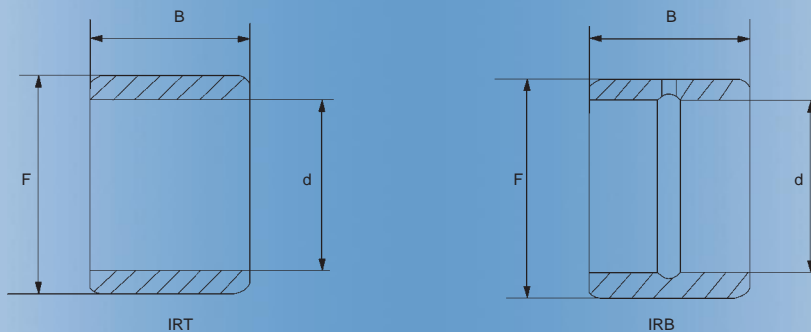
轴径 Shaft Diam- eter	轴承型号 Bearing Designation	重量 Mass 近似 Approx	外形尺寸 Boundary Dimensions		
			d	F	B
mm		g	mm		
20	IRT2015-1	21	20	25	15.5
	IRT202516		20	25	16
	IRT202517		20	25	17
	IRT202520		20	25	20
	IRT2020-1	28	20	25	20.5
	IRT202523		20	25	23
	IRT202525		20	25	25
	IRT2025-1	34.5	20	25	25.5
	IRT2026-1	36	20	25	26.5
	IRT202530		20	25	30
	IRT2030-1	41.5	20	25	30.5
	IRT2038-1	52.5	20	25	38.5
22	IRT202820		20	28	20
	IRT222616		22	26	16
	IRT2216	19.1	22	26	16.5
	IRT222620		22	26	20
	IRT2220	24	22	26	20.5
	IRT222817		22	28	17
	IRT222820		22	28	20
	IRT2220-1	37	22	28	20.5
	IRT222823		22	28	23
	IRT222830		22	28	30
23	IRT2230-1	55.5	24	28	30.5
	IRT242813		23	28	13
25	IRT242826		23	28	26
	IRT252920		25	29	20
	IRT2520	26.5	25	29	20.5
	IRT252930		25	29	30
	IRT2530	40	25	29	30.5
	IRT253015		25	30	15
	IRT2515-1	25.5	25	30	15.5
	IRT253017		25	30	17
	IRT253020		25	30	20
	IRT2520-1	34	25	30	20.5
	IRT253023		25	30	23
	IRT253025		25	30	25
	IRT2525-1	42.5	25	30	25.5
	IRT2526-1	44	25	30	26.5
	IRT253030		25	30	30

轴径 Shaft Diam- eter	轴承型号 Bearing Designation	重量 Mass 近似 Approx	外形尺寸 Boundary Dimensions		
			d	F	B
mm		g	mm		
25	IRT2530-1	50.5	25	30	30.5
	IRT253032		25	30	32
	IRT253038		25	30	38
	IRT2538-1	64	25	30	38.5
	IRT253222		25	32	22
	IRT253230		25	32	30
26	IRT263013		26	30	13
	IRT263026		26	30	26
	IRT263512		26	35	12
28	IRT283217		28	32	17
	IRT283220		28	32	20
	IRT2820	29.5	28	32	20.5
	IRT283230		28	32	30
	IRT2830	44	28	32	30.5
30	IRT283820		28	38	20
	IRT3012	24.5	30	35	12.5
	IRT3015	30.5	30	35	15.5
	IRT303517		30	35	17
	IRT303520		30	35	20
	IRT3020	40	30	35	20.5
	IRT303523		30	35	23
	IRT303525		30	35	25
	IRT3025	50	30	35	25.5
	IRT303530		30	35	30
	IRT3030	60	30	35	30.5
	32	IRT303722		30	35
IRT304216			30	42	16
IRT323720			32	37	20
IRT3220		42.5	32	37	20.5
IRT333730			32	37	30
IRT3230		63.5	32	37	30.5
IRT323732			32	37	32
IRT323815			32	38	15
IRT3215-1		39.5	32	38	15.5
IRT3220-1		52	32	38	20.5
IRT3225-1		64.5	32	38	25.5
IRT323825			32	38	25
IRT3230-1		77.5	32	38	30.5
IRT323845		32	38	45	



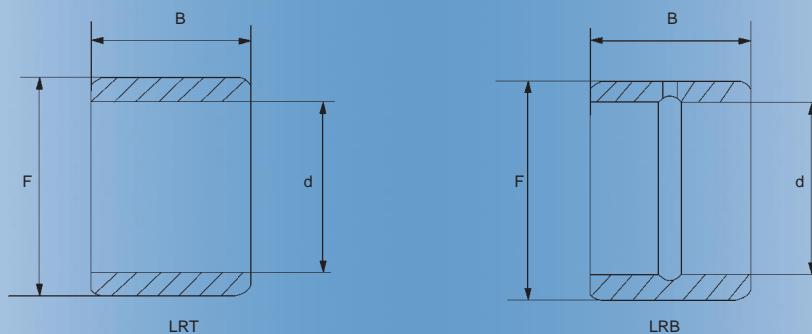
轴径 Shaft Diam- eter	轴承型号 Bearing Designation	重量 Mass 近似 Approx	外形尺寸 Boundary Dimensions		
			d	F	B
mm		g	mm		
32	IRT3245-1	115	32	38	45.5
	IRT324015		32	40	15
	IRT324020		32	40	20
	IRT324027		32	40	27
	IRT324030		32	40	30
35	IRT354015		35	40	15
	IRT354020		35	40	20
	IRT3520	46.5	35	40	20.5
	IRT354025		35	40	25
	IRT3525	58	35	40	25.5
	IRT351030		35	40	30
	IRT354034		35	40	34
	IRT354040		35	40	40
	IRT354040.5	91.5	35	40	40.5
	IRT354220		35	42	20
	IRT354223		35	42	23
	IRT354227		35	42	27
	IRT54230		35	42	30
	IRT354236		35	42	36
	IRT354322		35	43	22
37	IRT374232		37	42	32
38	IRT384320		38	43	20
	IRT384330		38	43	30
40	IRT404517		40	45	17
	IRT404520		40	45	20
	IRT4020	52.5	40	45	20.5
	IRT404525		40	45	25
	IRT4025	65.5	40	45	25.5
	IRT404530		40	45	30
	IRT4030	78.5	40	45	30.5
	IRT404540		40	45	40
	IRT40X45X40.5	104	40	45	40.5
	IRT404822		40	48	22
	IRT404830		40	48	30
	IRT404840		40	48	40
	IRT405022		40	50	22
	IRT405030		40	50	30
	IRT405040		40	50	40
42	IRT424720		42	47	20

轴径 Shaft Diam- eter	轴承型号 Bearing Designation	重量 Mass 近似 Approx	外形尺寸 Boundary Dimensions		
			d	F	B
mm		g	mm		
42	IRT424730		42	47	30
	IRT424830		42	48	30
45	IRT4512	36	45	50	12.5
	IRT4515	44.5	45	50	15.5
	IRT455020		45	50	20
	IRT4520	59	45	50	20.5
	IRT455025		45	50	25
	IRT4525	73	45	50	25.5
	IRT455030		45	50	30
	IRT4530	87.5	45	50	30.5
	IRT455035		45	50	35
	IRT4540	116	45	50	40.5
	IRT4545	131	45	50	45.5
	IRT455222		45	52	22
	IRT455240		45	52	40
	IRT455522		45	55	22
	IRT455540		45	55	40
48	IRT485540		48	55	40
50	IRT505520		50	55	20
	IRT5020-1	65	50	55	20.5
	IRT505525		50	55	25
	IRT5025-1	81	50	55	25.5
	IRT505530		50	55	30
	IRT5030-1	96.5	50	55	30.5
	IRT505535		50	55	35
	IRT505540		50	55	40
	IRT5040-1	128	50	55	40.5
	IRT505545		50	55	45
	IRT5045-1	144	50	55	45.5
	IRT505550		50	55	50
	IRT5050-1	160	50	55	50.5
	IRT505822		50	58	22
	IRT505830		50	58	30
IRT505840		50	58	40	
IRT505845		50	58	45	
IRT506025		50	60	25	
IRT5025	169	50	60	25.5	
IRT506028		50	60	28	
IRT506030		50	60	30	



轴径 Shaft Diam- eter	轴承型号 Bearing Designation	重量 Mass 近似 Approx	外形尺寸 Boundary Dimensions		
			d	F	B
mm		g	mm		
50	IRT5030	205	50	60	30.5
	IRT506040		50	60	40
	IRT5040	270	50	60	40.5
	IRT506045		50	60	45
	IRT506050		50	60	50
54	IRT546345		54	63	45
55	IRT556025		55	60	25
	IRT556030		55	60	30
	IRT556035		55	60	35
	IRT556238		55	62	38
	IRT556325		55	63	25
	IRT556345		55	63	45
	IRT556525		55	65	25
	IRT556528		55	65	28
	IRT556530		55	65	30
	IRT556545		55	65	45
	IRT556550		55	65	50
	IRT556560		55	65	60
	60	IRT606825		60	68
IRT606834			60	68	34
IRT606835			60	68	35
IRT606845			60	68	45
IRT607025			60	70	25
IRT607028			60	70	28
IRT607030			60	70	30
IRT607040			60	70	40
IRT607045			60	70	45
IRT607050			60	70	50
65	IRT657225		65	72	25
	IRT657235		65	72	35
	IRT657325		65	73	25
	IRT657335		65	73	35
	IRT657528		65	75	28
	IRT657530		65	75	30
75	IRT657535		75	75	35
	IRT657560		75	75	60
70	IRT708025		70	80	25
	IRT708030		70	80	30

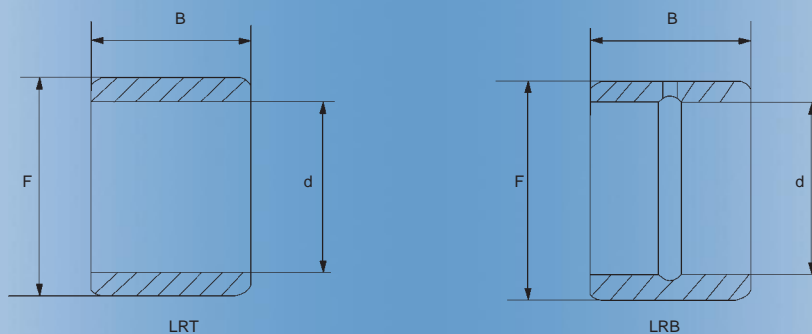
轴径 Shaft Diam- eter	轴承型号 Bearing Designation	重量 Mass 近似 Approx	外形尺寸 Boundary Dimensions		
			d	F	B
mm		g	mm		
70	IRT708035		70	80	35
	IRT208040		70	80	40
	IRT708050		70	80	50
	IRT708054		70	80	54
	IRT708060		70	80	60
75	IRT758345		75	83	45
	IRT758525		75	85	25
	IRT758530		75	85	30
	IRT758535		75	85	35
	IRT758554		75	85	54
	IRT759032		75	90	32
80	IRT809025		80	90	25
	IRT809030		80	90	30
	IRT809035		80	90	35
	IRT809040		80	90	40
	IRT809054		80	90	54
85	IRT859526		85	95	26
	IRT859536		85	95	36
	IRT859545		85	95	45
90	IRT8510035		85	100	35
90	IRT9010026		90	100	26
英 制					
9.525	IRB68		9.525	14.288	12.95
12.7	IRB812		12.7	17.462	19.3
	IRB812-1		12.7	19.05	19.3
15.875	IRB1012		15.875	22.225	19.3
20	IRB121616		20	25.4	25.65
22.225	IRB1416		22.225	28.575	25.65
28.575	IRB1820		28.575	34.925	32
31.75	IRB2020		31.75	38.1	32



轴径 Shaft Diameter	轴承型号 Bearing Designation	重量 Mass 近似 Approx	外形尺寸 Boundary Dimensions		
			d	F	B
mm		g	mm		
8	LRT 81212.5		8	12	12.5
	LRT 81210		8	12	10
	LRT 8128		8	12	8
9	LRT 91212		9	12	12
10	LRT 101413		10	14	13
12	LRT 121616		12	16	16
15	LRT 151916		15	19	16
17	LRT 172016		17	20	16
	LRT 172116		17	21	16
20	LRT 202416		20	24	16
	LRT 202517		20	25	17
	LRT 202525		20	25	25
	LRT 202526.5		20	25	26.5
25	LRT 252920		25	29	20
	LRT 252930		25	29	30
30	LRT 303517		30	35	17
	LRT 303520		30	35	20
32	LRT 323720		32	37	20
	LRT 324020		32	40	20
	LRT 324036		32	40	36
35	LRT 354020		35	40	20
	LRT 354030		35	40	30
40	LRT 404520		40	45	20
	LRT 404530		40	45	30
	LRT 404820		40	48	20
	LRT 404840		40	48	40
50	LRT 505525		50	55	25
	LRT 506025.5		50	60	25.5
54	LRT 546025		54	60	25
55	LRT 556025		55	60	25
	LRT 556525		55	65	25
60	LRT 606825		60	68	25
	LRT 606845		60	68	45
65	LRT 657335		65	73	35
	LRT 657445		65	74	45
75	LRT 758525		75	85	25
80	LRT 809054		80	90	54

内 圈 (英制系列)

Inner Ring (Inch Series)



轴 径 Shaft Diameter	轴 承 型 号 Bearing Designation	重 量 Mass 近 似 Approx	外 形 尺 寸 Boundary Dimensions				
			d		F		B
			in	mm	in	mm	mm
9.525 (3.8)	LRB 61012	18.5	3/8	9.525	3/8	15.875	19.300
12.700 (1/2)	LRB 81212	23.5	1/2	12.700	3/4	19.050	19.300
	LRB 81216	31	1/2	12.700	3/4	19.050	25.650
15.875 (5/8)	LRB101412	28	5/8	15.875	7/8	22.225	19.300
	LRB101416	37.5	5/8	15.875	7/8	22.225	25.650
19.050 (3/4)	LRB121612	33	3/4	19.050	1	25.400	19.300
	LRB121616	44	3/4	19.050	1	25.400	25.650
22.225 (7/8)	LRB141816	50	7/8	22.225	1 ¹ / ₈	28.575	25.650
	LRB141820	62	7/8	22.225	1 ¹ / ₈	28.575	32.000
25.400 (1)	LRB162016	56	1	25.4	1 ¹ / ₄	31.750	25.650
	LRB162020	72	1	25.4	1 ¹ / ₄	31.750	32.000
28.575 (1 ¹ / ₈)	LRB182216	63	1 ¹ / ₈	28.575	1 ³ / ₈	34.925	25.650
	LRB182220	77	1 ¹ / ₈	28.575	1 ³ / ₈	34.925	32.000
31.750 (1 ¹ / ₄)	LRB 202406	71	1 ¹ / ₄	31.750	1 ¹ / ₂	38.100	25.650
	LRB 202420	86	1 ¹ / ₄	31.750	1 ¹ / ₂	38.100	32.000
34.925 (1 ³ / ₈)	LRB 222616	77	1 ³ / ₈	34.925	1 ¹ / ₂	41.275	25.650
	LRB 222620	96	1 ³ / ₈	34.925	1 ⁵ / ₈	41.275	32.000
38.100 (1 ¹ / ₂)	LRB 242816	80	1 ¹ / ₂	38.100	1 ⁵ / ₈	44.450	25.650
	LRB 242820	100	1 ¹ / ₂	38.10	1 ³ / ₄	44.450	32.000
	LRB 243020	155	1 ¹ / ₂	38.100	1 ³ / ₄	47.625	32.000
41.275 (1 ⁵ / ₈)	LRB 263212	135	1 ⁵ / ₈	41.275	2	50.800	25.650
	LRB 263220	170	1 ⁵ / ₈	41.275	2	50.800	32.000
44.450 (1 ³ / ₄)	LRB 283624	300	1 ³ / ₄	44.450	2 ¹ / ₄	57.450	38.350
	LRB 283628	345	1 ³ / ₄	44.450	2 ¹ / ₄	57.450	44.700
50.800 (2)	LRB 324024	335	2	50.800	2 ¹ / ₂	63.500	38.350
	LRB 324028	390	2	50.800	2 ¹ / ₂	63.500	44.700
57.150 (2 ¹ / ₄)	LRB 364424	375	2 ¹ / ₄	57.150	2 ³ / ₄	69.850	38.350
	LRB 364428	440	2 ¹ / ₄	57.150	2 ³ / ₄	69.850	44.700
63.500 (2 ¹ / ₂)	LRB 404824	410	2 ¹ / ₂	63.500	3	76.500	38.350
	LRB 404828	480	2 ¹ / ₂	63.500	3	76.500	44.700
69.850 (2 ³ / ₄)	LRB 445228	530	2 ³ / ₄	69.850	3 ¹ / ₄	82.550	44.700
	LRB 445232	600	2 ³ / ₄	69.850	3 ¹ / ₄	82.550	51.050
76.200 (3)	LRB 485632	640	3	76.200	3 ¹ / ₂	88.900	51.050
82.550 (3 ¹ / ₄)	LRB 526032	690	3 ¹ / ₄	82.550	3 ³ / ₄	95.250	51.050
88.900 (3 ¹ / ₂)	LRB 566432	750	3 ¹ / ₂	88.900	4	101.600	51.050

推力滚针轴承 AXK、AXW、AX、TC、NTB 系列

推力圆柱滚子轴承 811、812、893、874、894 系列

推力滚针轴承或推力圆柱滚子轴承是在一套滚道垫圈间配置带保持架的滚针（滚子），保持架可靠地引导并夹持大量滚动体，同一组件中的滚动体仅有及其微小的差异。推力滚针轴承或推力圆柱滚子轴承仅能支承，一个方向轴向负荷的轴承，可作为刚性良好且轴向占有空间最小的轴承配置。

推力垫圈、轴圈、座圈

推力垫圈 AS LS GS WS ZS TRA TRB TRC TRD 系列

推力垫圈 AS 系列是用高质量的弹簧钢冲压而成，其厚度为 1mm，并经淬硬和抛光。当相邻部件表面刚性虽好但不宜作滚道时，AS 系列垫圈就充分发挥了它的作用。

推力垫圈 GS、WS、LS 系列是用轴承钢制成并经淬硬处理。座圈 GS 外表面和轴圈 WS 内表面是经过磨削制成。LS 则是特别经济的车制外表面和内表面。

推力垫圈 ZS 系列，当组件使用需要作双向定位的轴承配置时，本公司可提供 ZS 中圈系列，中圈 ZS 系列可轴向定位或座孔定位。

推力平面轴承

Thrust Ball Bearing With Flat Seat



Thrust Needle Roller Bearing, Series AXK, AXW, AX TC, NTB

Thrust Parallel Roller Bearing, Series 811, 812, 893, 874, 894

The thrust needle roller bearing or thrust parallel roller bearing is such a manner that the needles (rollers) with cage are set up in the space between rollway and collar and the cage reliably guides and clamps a lot of rolling bodies. There is a little difference among the rolling bodies in the same set. The thrust needle roller bearing or thrust parallel roller bearing is the one only supporting the axial load in one direction. It is used as the bearing allocation having the good rigidity and axial small space.

Thrust Collar, Shaft Ring and Seat Ring

Thrust Collar, Series AS, LS, GS, WS, ZS, TRA, TRB, TRC TRD.

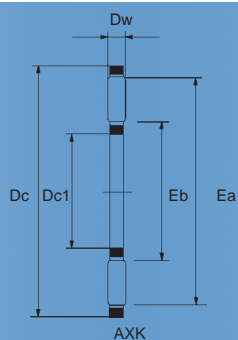
Series AS thrust collar is punched with the high quality steel spring plate in thickness of 1mm and quenched and polished. When the surface of the adjacent parts can not be acted as rollway, although it has a good rigidity, Series AS collar shall play its full action.

Series GS, WS, LS thrust collars are made of bearing steel with the quenching process. The outer surface of GS seat ring and the inner surface of WS shaft ring are ground. Series LS thrust collar is an economic product with machining the outer and inter surfaces.

As for Series ZS thrust collar, when it is required for assembly to set up the bearing as bidirectional location, the series ZS collar can be used as axial location or seat hole location.

推力滚针和保持架组件

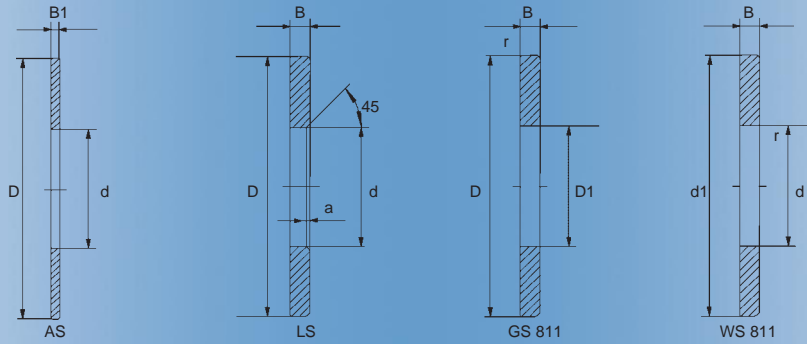
Thrust Needle Roller and Cage Assemblies



轴径 Shaft Diameter	推力滚针和保持架组件 Axial Needle Roller and Cage Assemblies		推力轴承垫圈 Thrust bearing washer					
	型号 Code	重量 Mass g	轴承垫圈 代号 Bearing washer	重量 Mass g	轴圈 代号 Shaft Ring	座圈 代号 Seat Ring	推力轴承垫圈 代号 Axial Bearing Washer	重量 Mass g
mm								
4	AXK 0414TN	0.7	AS 0414	1	—	—	—	—
5	AXK 0515TN	0.8	AS 0515	1	—	—	—	—
6	AXK 0619TN	1	AS 0619	2	LS 0619	—	—	4
8	AXK 0821TN	2	AS 0821	2	LS 0821	—	—	4
10	AXK 1024	3	AS 1024	3	LS 1024	—	—	7
12	AXK 1226	3	AS 1226	3	LS 1226	—	—	8
15	AXK 1528	4	AS 1528	3	LS 1528	GS 81102	WS 81102	9
17	AXK 1730	4	AS 1730	4	LS 1730	GS 81103	WS 81103	9
20	AXK 2035	5	AS 2035	5	LS 2035	GS 81104	WS 81104	13
25	AXK 2542	7	AS 2542	7	LS 2542	GS 81105	WS 81105	19
30	AXK 3047	8	AS 3047	8	LS 3047	GS 81106	WS 81106	22
35	AXK 3552	10	AS 3552	9	LS 3552	GS 81107	WS 81107	29
40	AXK 4060	16	AS 4060	12	LS 4060	GS 81108	WS 81108	40
45	AXK 4565	18	AS 4565	13	LS 4565	GS 81109	WS 81109	50
50	AXK 5070	20	AS 5070	14	LS 5070	GS 81110	WS 81110	55
55	AXK 5578	28	AS 5578	18	LS 5578	GS 81111	WS 81111	88
60	AXK 6085	33	AS 6085	22	LS 6085	GS 81112	WS 81112	97
65	AXK 6590	35	AS 6590	24	LS 6590	GS 81113	WS 81113	115
70	AXK 7095	60	AS 7095	25	LS 7095	GS 81114	WS 81114	123
75	AXK 75100	61	AS 75100	27	LS 75100	GS 81115	WS 81115	142
80	AXK 80105	63	AS 80105	28	LS 80105	GS 81116	WS 81116	151
85	AXK 85110	67	AS 85100	29	LS 85110	GS 81117	WS 81117	159
90	AXK 90120	86	AS 90120	39	LS 90120	GS 81118	WS 81118	234
100	AXK 100135	104	AS 100135	50	LS 100135	GS 81120	WS 81120	350
110	AXK 110145	122	AS 110145	55	LS 110145	GS 81122	WS 81122	385
120	AXK 120155	131	AS 120155	59	LS 120155	GS 81124	WS 81124	415
130	AXK 130170	205	AS 130170	65	LS 130170	GS 81126	WS 81126	663
140	AXK 140180	219	AS 140180	79	LS 140180	GS 81128	WS 81128	749
150	AXK 150190	232	AS 150190	84	LS 150190	GS 81130	WS 81130	796
160	AXK 160200	246	AS 160200	89	LS 160200	GS 81132	WS 81132	842

推力滚针和保持架组件

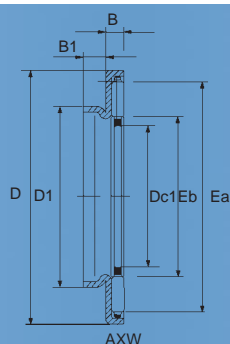
Thrust Needle Roller and Cage Assemblies



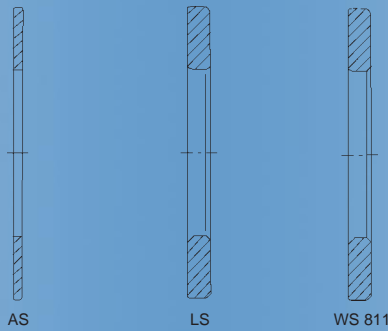
尺寸 Dimension								滚道尺寸 Track size		基本额定负荷 Basic Load Rating KN		极限转速 Limiting Speed r/min
Dcl	D1	Dc	d1	Dw	B1	B	a	Eb	Ea	动 C	静 CO	
d		D					r min					
4	—	14	—	2	1	—	—	5	13	4.4	8	21000
5	—	15	—	2	1	—	—	6	14	4.75	9.2	21000
6	—	19	—	2	1	2.75	0.3	7	18	6.8	15.5	19000
8	—	21	—	2	1	2.75	0.3	9	20	7.8	19.4	18000
10	—	24	—	2	1	2.75	0.3	12	23	9.2	25.5	17000
12	—	26	—	2	1	2.75	0.3	14	25	9.9	29	15000
15	16	28	28	2	1	2.75	0.3	17	27	11.3	36	13000
17	18	30	30	2	1	2.75	0.3	19	29	11.9	39.5	12000
20	21	35	35	2	1	2.75	0.3	22	34	13.1	46.5	10000
25	26	42	42	2	1	3	0.6	29	41	14.7	58	8500
30	32	47	47	2	1	3	0.6	34	46	16.3	70	7500
35	37	52	52	2	1	3.5	0.6	39	51	17.8	81	6500
40	42	60	60	3	1	3.5	0.6	45	58	28	114	6000
45	47	65	65	3	1	4	0.6	50	63	30	128	5000
50	52	70	70	3	1	4	0.6	55	68	32	143	4800
55	57	78	78	3	1	5	0.6	60	76	38	186	4300
60	62	85	85	3	1	4.75	1	65	83	44.5	234	4000
65	67	90	90	3	1	5.25	1	70	88	46.5	255	3700
70	72	95	95	4	1	5.25	1	74	93	54	255	3500
75	77	100	100	4	1	5.75	1	79	98	55	265	3300
80	82	105	105	4	1	5.75	1	84	103	56	280	3100
85	87	110	110	4	1	5.75	1	89	108	58	290	3000
90	92	120	120	4	1	6.5	1	94	118	73	405	2700
100	102	135	135	4	1	7	1	105	133	91	560	2500
110	112	145	145	4	1	7	1	115	143	97	620	2300
120	122	155	155	4	1	7	1	125	153	102	680	2100
130	132	170	170	5	1	9	1	136	167	133	840	1900
140	142	180	178	5	1	9.5	1	146	177	138	900	1800
150	152	190	188	5	1	9.5	1	156	187	143	960	1700
160	162	200	198	5	1	9.5	1	166	197	145	1020	1600

推力滚针和保持架组件

Thrust Needle Roller and Cage Assemblies



轴径 Shaft Diameter	轴承型号 Bearing Designation	重量 Mass	尺寸 Dimension					滚道尺寸 Track size		基本额定负荷 Basic Load Rating		极限转速 Limiting Speed r/min
			Dc1	D1	D	B	B1	Eb	Ea	C	Co	
mm		g								KN		
10	AXW10	8.3	10	14	27	3.2	3	12	23	9.2	25.5	16000
12	AXW12	9.1	12	16	29	3.2	3	14	25	9.9	29	14000
15	AXW15	10	10	15	21	3.2	3.5	17	27	11.3	36	13000
17	AXW17	11	17	23	33	3.2	3.5	19	29	11.9	39.5	12000
20	AXW20	14	20	26	38	3.2	3.5	22	34	13.1	46.5	10000
25	AXW25	20	25	32	45	3.2	4	29	41	14.7	58	8000
30	AXW30	22	30	37	50	3.2	4	34	46	16.3	70	7000
35	AXW35	27	35	42	55	3.2	4	39	51	17.8	81	6500
40	AXW40	39	40	47	63	4.2	4	45	58	28	114	5500
45	AXW45	43	45	52	68	4.2	4	50	63	30	128	5000
50	AXW50	49	50	58	73	4.2	4.5	55	68	32	143	4700



AS

LS

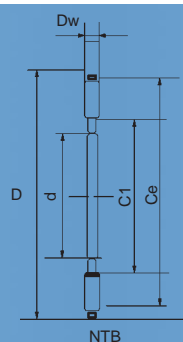
WS 811

适合组合的轴承垫圈和轴承
Bearing washer and bearing suitable for combination

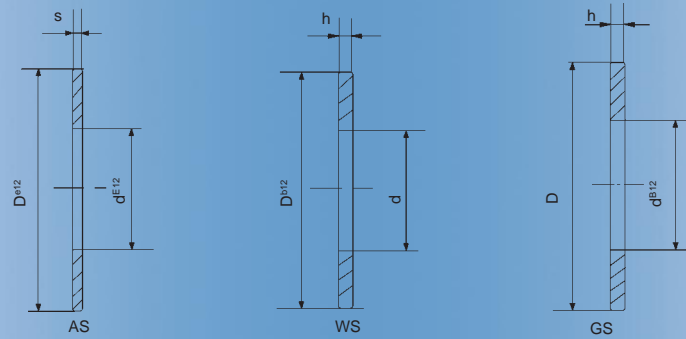
AS	LS	WS811	HK	HK...RS	BK	NK NKS RNA49 RNA69	NKI NKIS NA49 NA69
AS1024	LS1024	—	HK1010, HK1012	—	BK1010, BK1012	NK7/10TN	—
—	—	—	HK1015	—	BK1015	NK7/12TN	—
AS1226	LS1226	—	HK1210	—	BK1210	NK9/12TN	NKI6/12TN
—	—	—	—	—	—	NK9/16TN	NKI6/16TN
AS1528	LS1528	WS81102	HK1512, HK1516	HK1514RS	BK1512, BK1516	—	—
—	—	—	HK1522	—	—	—	—
AS1730	LS1730	WS81103	HK1712	—	—	NK15/16, NK15/20	—
AS2035	LS2035	WS81104	HK2012, HK2016	HK2018RS	BK2016	NK18/16, NK18/20	—
—	—	—	HK2020	—	BK2020	—	—
—	—	—	HK2030	—	—	—	—
AS2542	LS2542	WS81105	HK2512, HK2516	HK2518RS	—	NK24/16, NK24/20	NKI20/16
—	—	—	HK2520, HK2526	—	BK2520, BK2526	NKS20	NKI20/20
—	—	—	HK2538	—	BK2538	—	—
AS3047	LS3047	WS81106	HK3012, HK3016	HK3018RS	BK3012, BK3016	NK28/20, NK28/30	NA4904
—	—	—	HK3020, HK3026	—	BK3020, BK3026	NKS24	NA6904
—	—	—	HK3038	—	BK3038	RNA4904, RNA6904	—
AS3552	LS3552	WS81107	HK3512, HK3516	HK3518RS	—	NK32/20, NK32/30	NKIS20, NA4905
—	—	—	HK3520	—	BK3520	NKS28	NA6905
—	—	—	—	—	—	RNA4905, RNA6905	NKI28/20, NKI28/30
AS4060	LS4060	WS81108	HK4012, HK4016	HK4018RS	—	NK37/20, NK37/30	NKIS25, NA4906
—	—	—	HK4020	—	BK4020	NKS32	NA6906
—	—	—	—	—	—	RNA4906, RNA6906	NKI32/20
—	—	—	—	—	—	—	NK132/30
AS4565	LS4565	WS81109	HK4516, HK4520	HK4518RS	BK4520	NK42/20, NK42/30	NKIS30
—	—	—	—	—	—	NKS37	NA49/32
—	—	—	—	—	—	RNA49/30, RNA69/32	NA69/32
AS5070	LS5070	WS81110	HK5020, HK5025	HK5022RS	—	NKS43	NKIS35

推力滚针和保持架组件

Thrust Needle Roller and Cage Assemblies



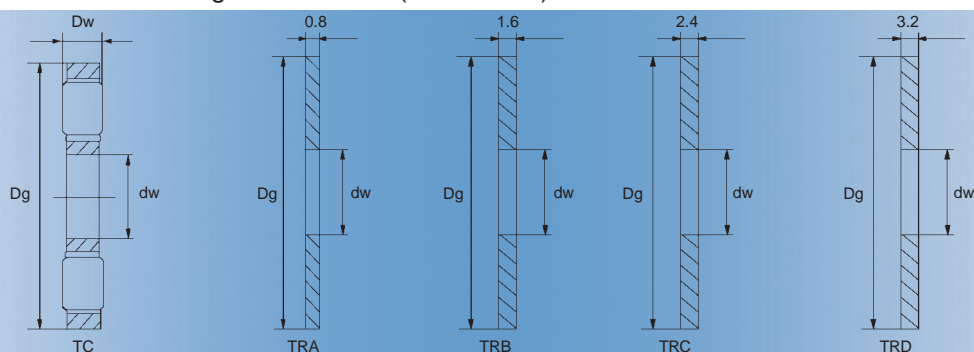
轴径 Shaft Diameter	推力滚针轴承和保持架组件型号 Axial Needle Roller and Cage Assemblies Code						
	推力滚针轴承和保持架组件 Axial Needle Roller and Cage Assemblies	重量 Mass g	推力片 Thrust Sheet	重量 Mass g	轴圈 Shaft Ring	座圈 Seat Ring	重量 Mass g
mm							
10	NTB 1024	3.3	AS 1024	2.9	WS1024	GS1024	8
12	NTB 1226	3.8	AS 1226	3.2	WS1226	GS1226	8.9
15	NTB 1528	4.1	AS 1528	3.4	WS1528	GS1528	9.3
16	NTB 1629	4.3	AS 1629	3.6	WS1629	GS1629	9.8
17	NTB 1730	4.5	AS 1730	3.7	WS1730	GS1730	10.2
18	NTB 1831	4.7	AS 1831	3.9	WS1831	GS1831	10.7
20	NTB 2035	6.1	AS 2035	5	WS2035	GS2035	13.8
25	NTB 2542	8.2	AS 2542	6.9	WS2542	GS2542	21
30	NTB 3047	9.4	AS 3047	7.9	WS3047	GS3047	24
35	NTB 3552	10.6	AS 3552	8.9	WS3552	GS3552	31.5
40	NTB 4060	22	AS 40603	12.1	WS4060	GS4060	42.5
45	NTB 4565	24.5	AS 4565	13.3	WS4565	GS4565	53.5
50	NTB 5070	26.5	AS 5070	14.5	WS5070	GS5070	58.5
55	NTB 5578	33.5	AS 5578	18.5	WS5578	GS5578	93
60	NTB 6085	38.5	AS 6085	22	WS6085	GS6085	105
65	NTB 6590	41.5	AS 6590	23.5	WS6590	GS6590	124
70	NTB 7095	61	AS 7090	25	WS7095	GS7095	132
75	NTB 75100	65	AS 75100	26.5	WS75100	GS75100	153
80	NTB 80105	68.5	AS 80105	28	WS80105	GS80105	162
85	NTB 85110	72	AS 85110	29.5	WS85110	GS85110	170
90	NTB 90120	92	AS 90120	38	WS90120	GS90120	250
100	NTB 100135	119	AS 100135	50	WS110135	GS100135	350
110	NTB 110145	129	AS 110145		WS110145	GS110145	380
120	NTB 120155	139	AS 120155		WS120155	GS120155	410
130	NTB 130170	225	AS 130170		WS130170	GS130170	660



尺寸 mm Dimension								基本额定负荷 Basicload Rating		极限转速 Limiting Speed r/min
d	D	Dw	s	h	Rs (1)	Ci	Ce	c kgf	co kgf	
10	24	2	1	2.75	0.3	14	22	800	2440	15000
12	26	2	1	2.75	0.3	16	24	850	2750	13000
15	28	2	1	2.75	0.3	18	26	900	3050	12000
16	29	2	1	2.75	0.3	19	27	920	3200	11000
17	30	2	1	2.75	0.3	20	28	950	3360	11000
18	31	2	1	2.75	0.3	21	29	970	3510	10000
20	35	2	1	2.75	0.3	23	33	1200	4740	9000
25	42	2	1	3	0.6	29	40	1470	6600	7500
30	47	2	1	3	0.6	34	45	1570	7470	6500
35	52	2	1	3.5	0.6	39	50	1670	8350	5500
40	60	3	1	3.5	0.6	45	57	2470	11000	5000
45	65	3	1	4	0.6	50	62	2640	12400	4500
50	70	3	1	4	0.6	55	67	2810	13700	4000
55	78	3	1	5	0.6	61	75	3300	17500	4000
60	85	3	1	4.75	1	66	82	3900	22300	3500
65	90	3	1	5.25	1	71	87	4090	24100	3000
70	95	4	1	5.25	1	75	91	4830	24900	3000
75	100	4	1	5.75	1	80	96	4930	26100	3000
80	105	4	1	5.75	1	85	101	5050	27200	2500
85	110	4	1	5.75	1	90	106	5130	28400	2500
90	120	4	1	6.5	1	96	116	6570	40100	2500
100	135	4	1	7	1	107	131	8190	55200	2000
110	145	4		7	1	117	141	8480	59000	2000
120	155	4		7	1	127	151	8960	64700	1800
130	170	5		9	1	137	165	12300	85500	1700

推力滚针和保持架组件 (英制系列)

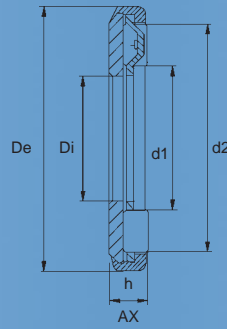
Thrust Needle Roller and Cage Assemblies (Inch Series)



轴径 Shaft Diameter	轴承型号 Bearing Designation	外形尺寸 Boundary Dimensions						基本额定负荷 Basic Load Rating		极限转速 Limiting Speed	垫圈 TRA TRB TRC TRD
		dw/d		Dg/D		Dw		动 Dynamic	静 Static	油润滑	
		inch	mm	inch	mm	inch	mm	N		rpm	
1/4	TC411	0.250	6.35	0.687	17.45	0.0781	1.984	1370	3000	16000	411
5/16	TC512	0.312	7.49	0.750	19.05	0.0781	1.984	1560	3650	15000	512
3/8	TC613	0.375	9.52	0.812	20.62	0.0781	1.984	1620	4000	15000	613
1/2	TC815	0.500	12.70	0.937	23.80	0.0781	1.984	1920	5300	13000	815
5/8	TC1018	0.625	15.88	1.125	28.58	0.0781	1.984	2170	6600	11000	1018
3/4	TC1220	0.750	19.05	1.250	31.75	0.0781	1.984	2410	8000	9500	1220
7/8	TC1423	0.875	22.22	1.437	36.50	0.0781	1.984	2900	10500	8500	1423
	TC1427	0.875	22.22	1.687	42.85	0.0781	1.984	4400	18600	7500	1427
1	TC1525	1.000	25.40	1.562	39.67	0.0781	1.984	3150	12100	7500	1525
1 1/8	TC1828	1.125	28.58	1.750	44.45	0.0781	1.984	3850	16300	6500	1828
1 3/16	TC1931	1.188	30.16	1.937	49.20	0.0781	1.984	4500	20500	6000	1931
1 1/4	TC2013	1.250	31.75	1.937	49.20	0.0781	1.984	4500	20500	6000	2013
1 3/8	TC2233	1.375	34.92	2.062	52.37	0.0781	1.984	4600	21600	5500	2233
1 1/2	TC2435	1.500	38.10	2.187	55.55	0.0781	1.984	4850	23700	5000	2435
1 3/4	TC2840	1.750	44.45	2.500	63.50	0.0781	1.984	5600	30000	4500	2840
2	TC3244	2.000	50.80	2.750	69.85	0.0781	1.984	5800	32500	4000	3244
2 1/4	TC3648	2.250	57.15	3.000	76.20	0.0781	1.984	6000	35000	3600	3648
2 1/2	TC4052	2.500	63.50	3.250	82.55	0.0781	1.984	6200	37500	3300	4052
3	TC4860	3.000	76.20	3.750	95.25	0.0781	1.984	6600	42500	2800	4860
3 1/4	TC5266	3.250	82.55	4.125	104.78	0.1250	3.175	10900	61000	2600	5266
4 1/8	TC6681	4.125	104.78	6.062	128.57	0.1250	3.175	14200	92000	2100	6681

推力滚针和保持架组件 (英制系列)

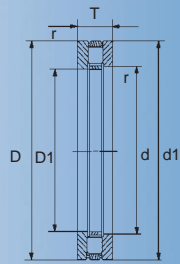
Thrust Needle Roller and Cage Assemblies (Inch Series)



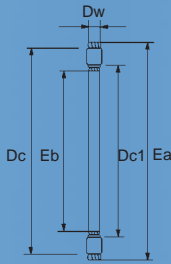
轴径 Shaft Diameter	轴承型号 Bearing Designation		重量 Mass 近似 Approx	外形尺寸 Boundary Dimensions					基本额定负荷 Basic Load Rating		极限转速 Limiting Speed Grenzdrehzahl min ⁻¹
	AX Baureihe dünn	AX Baureihe dick		Di	De	h	d1	d2	动 Dynamic	静 Static	
mm			g	mm					N		
5	AX 5 13		1.3	5	13	2.3	6.3	10.9	3000	5700	25000
		AX 3.5 5 13	2.3	5	13	3.5	6.3	10.9	3000	5700	25000
6	AX 6 14		1.4	6	14	2.3	7.3	11.9	3150	6350	22000
		AX 3.5 6 14	2.4	6	14	3.5	7.3	11.9	3150	6350	22000
7	AX 7 15		1.7	7	15	2.3	8.3	12.9	3550	7600	22000
		AX 3.5 7 15	2.9	7	15	3.5	8.3	12.9	3550	7600	22000
8	AX 8 16		1.7	8	16	2.3	9.3	13.9	3700	8300	22000
		AX 3.5 8 16	3	8	16	3.5	9.3	13.9	3700	8300	22000
9	AX 9 17		2.1	9	17	2.3	10.3	14.9	4050	9500	19000
		AX 3.5 9 17	3.5	9	17	3.5	10.3	14.9	4050	9500	19000
10	AX 10 22		4	10	22	2.8	12	18.6	5000	10900	15500
		AX 4 10 22	6.5	10	22	4	12	18.6	5000	10900	15500
12	AX 12 26		6	12	26	2.8	15	22.6	6900	17700	13000
		AX 4 12 26	10	12	26	4	15	22.6	6900	17700	13000
13	AX 13 26		6	13	26	2.8	15	22.6	6900	17700	13000
		AX 4 13 26	9.8	13	26	4	15	22.6	6900	17700	11300
15	AX 15 28		6.9	15	28	2.8	17	24.6	7400	20000	11500
		AX 4 15 28	9	15	28	4	17	24.6	7400	20000	11500
17	AX 17 30		7.6	17	30	2.8	19	26.6	7800	22000	10500
		AX 4 17 30	10	17	30	4	19	26.6	7800	22000	10500
19	AX 19 32		8.6	19	32	2.8	21	28.6	8000	23300	10000
		AX 4 19 32	13	19	32	4	21	28.6	8000	23300	10000
20	AX 20 35		10.2	20	35	2.8	22	31.6	11800	39000	9000
		AX 5 20 35	18	20	35	5	22	31.6	11800	39000	9000
25	AX 25 42		11.5	25	42	2.8	27.7	37.4	13300	49000	7500
		AX 5 25 42	25	25	42	5	27.7	37.4	13300	49000	7500
27	AX 27 44		12.1	27	44	2.8	30	39.5	13700	52000	7200
30	AX 30 47		13.7	30	47	2.8	32.7	42.4	14500	57000	6500
		AX 5 30 47	29	30	47	5	32.7	42.4	14500	57000	6500
35	AX 35 52		18.5	35	52	2.8	37.2	49	18900	84000	5500
		AX 5 35 52	35	35	52	5	37.2	49	18900	84000	5500
	AX 35 53		19.3	35	53	2.8	37.2	49	18900	84000	5500
		AX 5 35 53	36	35	53	5	37.2	49	18900	84000	5500
40	AX 40 60		23.9	40	60	2.8	43	54.9	20400	96000	5000
		AX 5 40 60	45	40	60	5	43	54.9	20400	96000	5000
45	AX 45 65		24.7	45	65	2.8	48	59.9	21800	109000	4500
		AX 5 45 65	50	45	65	5	48	59.9	21800	109000	4500

推力圆柱滚子轴承

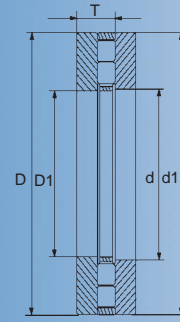
Thrust Cylindrical Roller Bearings



811,812



K811,K812

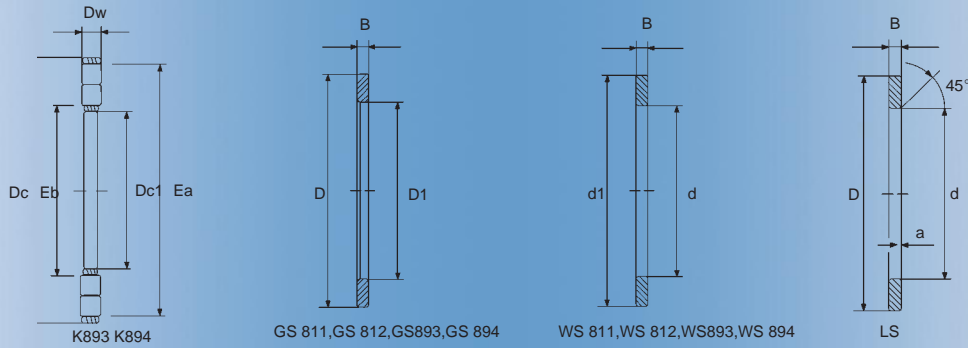


893 894

轴径 Shaft Diameter	推力圆柱滚子轴承 Thrust cylindrical roller bearing		推力圆柱滚子轴承和保持架组件 thrust cylindrical roller bearing and retainer assembly		推力轴承垫圈 Thrust bearing washer			
	型号 Code	重量 Mass Kg		重量 Mass Kg	座圈 Seat Ring	轴圈 Bearing Ring	轴承垫圈 bearing washer	重量 Mass Kg
mm								
15	81102TN	0.024	K81102TN	0.006	GS81102	WS81102	LS1528	0.008
17	81103TN	0.027	K81103TN	0.009	GS81103	WS81103	LS1730	0.009
20	81104TN	0.037	K81104TN	0.013	GS81104	WS81104	LS2035	0.012
25	81105TN	0.053	K81105TN	0.015	GS81105	WS81105	LS2542	0.019
30	81106TN	0.057	K81106TN	0.017	GS81106	WS81106	LS3047	0.02
	81206TN	0.123	K81206TN	0.033	GS81206	WS81206		0.045
	89306TN	0.24	K89306TN	0.04	GS89306	WS89306		0.095
35	81107TN	0.073	K81107TN	0.019	GS81107	WS81107	LS3552	0.027
	81207TN	0.195	K81207TN	0.043	GS81207	WS81207		0.076
	89307TN	0.34	K89307TN	0.053	GS89307	WS89307		0.134
40	81108TN	0.105	K81108TN	0.031	GS81108	WS81108	LS4060	0.037
	81208TN	0.249	K81208TN	0.081	GS81208	WS81208		0.084
	89308TN	0.484	K89308TN	0.098	GS89308	WS89308		0.193
45	81109TN	0.13	K81109TN	0.035	GS81109	WS81109	LS4565	0.047
	81209TN	0.287	K81209TN	0.085	GS81209	WS81209		0.101
	89309TN	0.615	K89309TN	0.121	GS89309	WS89309		0.247
50	81110TN	0.14	K81110TN	0.038	GS81110	WS81110	LS5070	0.051
	81210TN	0.356	K81210TN	0.098	GS81210	WS81210		0.129
	89310TN	0.887	K89310TN	0.175	GS89310	WS89310		0.356
55	81111TN	0.218	K81111TN	0.045	GS81111	WS81111	LS5578	0.082
	81211TN	0.568	K81211TN	0.166	GS81211	WS81211		0.201
	89311TN	1.18	K89311TN	0.195	GS89311	WS89311		0.485
60	81112TN	0.266	K81112TN	0.082	GS81112	WS81112	LS6085	0.092
	81212TN	0.642	K81212TN	0.176	GS81212	WS81212		0.233
	89312 TN	1.26	K89312TN	0.21	GS89312	WS89312		0.517
	89412 TN	2.818	K89412TN	0.538	GS89412	WS89412		1.115
65	81113 TN	0.31	K81113TN	0.09	GS81113	WS81113	LS6590	0.11
	81213 TN	0.721	K81213TN	0.185	GS81213	WS81213		0.268
	89313 TN	1.33	K89313TN	0.21	GS89313	WS89313		0.535
	89413 TN	3.52	K89413TN	0.72	GS89413	WS89413		1.4
70	81114 TN	0.332	K81114TN	0.092	GS81114	WS81114	LS7095	0.12
	81214 TN	0.768	K81214TN	0.212	GS81214	WS81214		0.278
	89314 TN	1.82	K89314TN	0.29	GS89314	WS89314		0.8
	89414 TN	4.18	K89414TN	0.76	GS89414	WS89414		1.73
75	81115 TN	0.393	K81115TN	0.096	GS81115	WS81115	LS75100	0.136
	81215 TN	0.8	K81215TN	0.195	GS81215	WS81215		0.293
	89315 TN	2.23	K89315TN	0.375	GS89315	WS89315		0.97
	89415	5.96	K89415	1.78	GS89415	WS89415		2.09
80	81116 TN	0.4	K81116TN	0.095	GS81116	WS81116	LS80105	0.144

推力圆柱滚子轴承

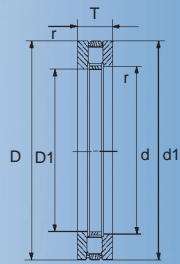
Thrust Cylindrical Roller Bearings



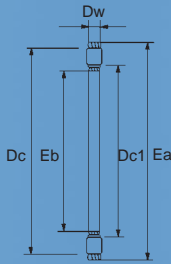
尺寸 Dimension								滚道尺寸 Track size		基本额定负荷 Basic Load Rating		极限转速 Limiting Speed r/min
Dcl d	D1	Dc D	d1	T	Dw	B	a r mm	Eb	Ea	动	静	
										Cr	Cor	
										KN		
15	16	28	28	9	3.5	2.75	0.3	16	27	14.4	28.5	13000
17	18	30	30	9	3.5	2.75	0.3	18	29	15.9	33.5	12000
20	21	35	35	10	4.5	2.75	0.3	21	34	24.9	53	10000
25	26	42	42	11	5	3	0.6	26	41	33.5	76	8500
30	32	47	47	11	5	3	0.6	31	46	35.5	86	7500
30	32	52	52	16	7.5	4.25	0.6	31	50	64	141	7000
30	32	60	60	18	5.5	6.25	1	33	59	69	197	6500
35	37	52	52	12	5	3.5	0.6	36	51	39	101	6500
35	37	62	62	18	7.5	5.25	1	39	58	80	199	6000
35	37	68	68	20	6	7	1	38	67	80	237	5500
40	42	60	60	13	6	3.5	0.6	42	58	56	148	6000
40	42	68	68	19	9	5	1	43	66	107	265	5500
40	42	78	78	22	7	7.5	1	44	77	122	385	4900
45	47	65	65	14	6	4	0.6	47	63	59	163	5000
45	47	73	73	20	9	5.5	1	48	70	105	265	4900
45	47	85	85	24	7.5	8.25	1	49	83	139	445	4400
50	52	70	70	14	6	4	0.6	52	68	61	177	4800
50	52	78	78	22	9	6.5	1	53	75	117	315	4500
50	52	95	95	27	8	9.5	1.1	56	92	167	560	4000
55	57	78	78	16	6	5	0.6	57	77	90	300	4300
55	57	90	90	25	11	7	1	59	85	154	405	4000
55	57	105	105	30	9	10.5	1.1	61	103	184	600	3600
60	62	85	85	17	7.5	4.75	1	62	82	103	315	4000
60	62	95	95	26	11	7.5	1	64	91	172	480	3700
60	62	110	110	30	9	10.5	1.1	66	108	196	670	3400
60	62	130	130	42	14	14	1.5	65	126	390	1220	3000
65	67	90	90	18	7.5	5.25	1	67	87	107	340	3700
65	67	100	100	27	11	8	1	69	96	177	500	3500
65	67	115	115	30	9	10.5	1.1	71	113	194	670	3200
65	68	140	140	45	15	15	2	70	135	445	1410	2800
70	72	95	95	18	7.5	5.25	1	72	92	111	365	3500
70	72	105	105	27	11	8	1	74	102	187	550	3300
70	72	125	125	34	10	12	1.1	76	123	239	830	3000
70	73	150	150	48	16	16	2	76	147	475	1500	2600
75	77	100	100	19	7.5	5.75	1	78	97	107	350	3300
75	77	110	110	27	11	8	1	79	106	172	500	3100
75	77	135	135	36	11	12.5	1.5	81	132	285	1010	2700
75	78	160	160	51	17	17	2	82	153	500	1580	2500
80	82	105	105	19	7.5	5.75	1	83	102	106	350	3100

推力圆柱滚子轴承

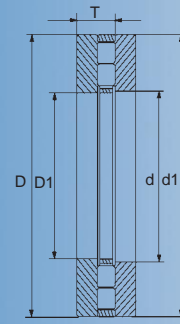
Thrust Cylindrical Roller Bearings



811,812



K811,K812

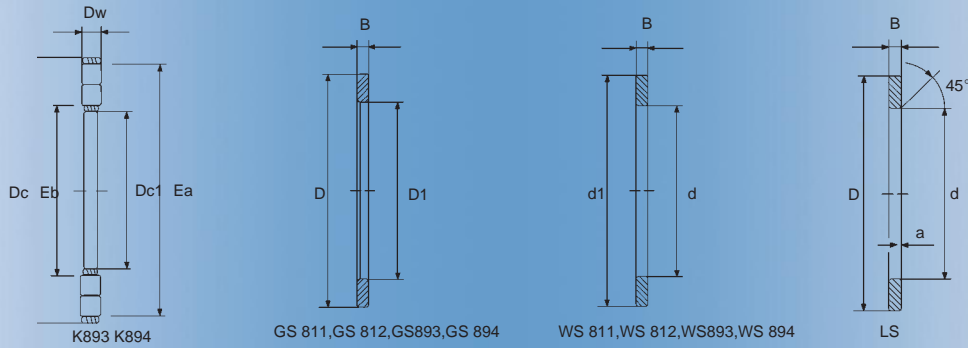


893 894

轴径 Shaft Diameter	推力圆柱滚子轴承 Thrust cylindrical roller bearing		推力圆柱滚子轴承和保持架组件 thrust cylindrical roller bearing and retainer assembly		推力轴承垫圈 Thrust bearing washer			重量 Mass Kg
	型号 Code	重量 Mass Kg	型号 Code	重量 Mass Kg	座圈 Seat Ring	轴圈 Bearing Ring	轴承垫圈 bearing washer	
mm								
80	81216 TN	0.9	K812 16 TN	0.234	GS812 16	WS812 16		0.333
	89316 TN	2.37	K893 16 TN	0.42	GS893 16	WS893 16		1.02
	89416	7.04	K894 16	2.04	GS894 16	WS894 16		2.5
85	81117 TN	0.42	K811 17 TN	0.118	GS811 17	WS811 17	LS85110	0.151
	81217 TN	1.26	K812 17 TN	0.28	GS812 17	WS812 17		0.49
	89317	3	K893 17	0.54	GS893 17	WS893 17		1.23
	89417	8.65	K894 17	2.71	GS894 17	WS894 17		2.97
90	81118 TN	0.62	K811 18 TN	0.15	GS811 18	WS811 18	LS90120	0.225
	81218 TN	1.77	K812 18 TN	0.542	GS812 18	WS812 18		0.614
	89318	3.28	K893 18	0.62	GS893 18	WS893 18		1.33
	89418	9.94	K894 18	3.04	GS894 18	WS894 18		3.45
100	81120 TN	0.95	K811 20 TN	0.25	GS811 20	WS811 20	LS100135	0.35
	81220 TN	2.2	K812 20 TN	0.6	GS812 20	WS812 20		0.8
	89320	4.19	K893 20	0.81	GS893 20	WS893 20		1.69
	89420	13.42	K894 20	3.92	GS894 20	WS894 20		4.75
110	811 22 TN	1.04	K811 22TN	0.27	GS811 22	WS811 22	LS110145	0.385
	812 22 TN	2.29	K812 22TN	0.53	GS812 22	WS812 22		0.88
	893 22	6.55	K893 22	1.67	GS893 22	WS893 22		2.44
	894 22	17.41	K894 22	5.11	GS894 22	WS894 22		6.15
120	811 24TN	1.12	K811 24TN	0.29	GS811 24	WS811 24	LS120155	0.415
	812 24TN	2.54	K812 24TN	0.58	GS812 24	WS812 24		0.98
	893 24	9.24	K893 24	2.44	GS893 24	WS893 24		3.4
	894 24	21.77	K894 24	6.37	GS894 24	WS894 24		7.7
130	811 26TN	1.67	K811 26TN	0.38	GS811 26	WS811 26	LS130170	0.643
	812 26TN	3.98	K812 26TN	0.92	GS812 26	WS812 26		1.53
	893 26	10	K893 26	1.91	GS893 26	WS893 26		4.045
	894 26	26.96	K894 26	7.96	GS894 26	WS894 26		9.5
140	811 28TN	1.9	K811 28TN	0.4	GS811 28	WS811 28	LS140180	0.749
	812 28	4.567	K812 28	1.197	GS812 28	WS812 28		1.634
	893 28	11.99	K893 28	2.39	GS893 28	WS893 28		4.8
	894 28	29.7	894 28	8.54	GS894 28	WS894 28		10.6
150	811 30TN	2.2	K811 30TN	0.43	GS811 30	WS811 30	LS150190	0.796
	812 30	5.886	K812 30	1.52	GS812 30	WS812 30		2.18
	893 30	12.63	K893 30	2.51	GS893 30	WS893 30		5.06
	894 30	35.36	K894 30	10.36	GS894 30	WS894 30		12.5
160	811 32TN	2.12	K811 32TN	0.44	GS811 32	WS811 32	LS160200	0.842
	812 32	7.96	K812 32	3.36	GS812 32	WS812 32		2.3
	894 32	42	K894 32	12.42	GS894 32	WS894 32		14.8
170	811 34TN	2.41	K811 34TN	0.66	GS811 34	WS811 34		1.1

推力圆柱滚子轴承

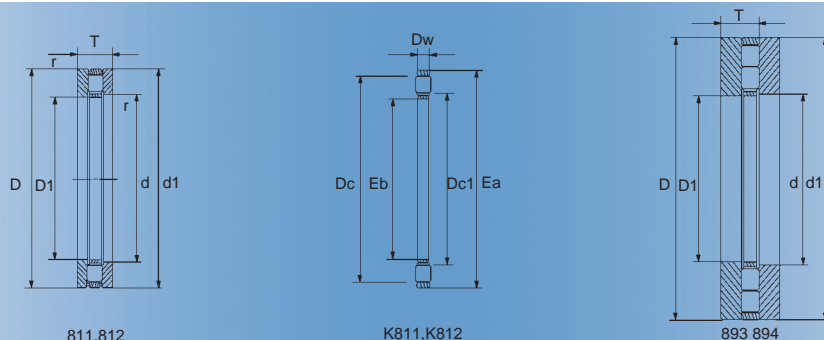
Thrust Cylindrical Roller Bearings



尺寸 Dimension								滚道尺寸 Track size		基本额定负荷 Basic Load Raating		极限转速 Limiting Speed r/min
Dcl d	D1	Dc D	d1	T	Dw	B	A r	Eb	Ea	Cr kN	Cor kN	
80	82	115	115	28	11	8.5	1	84	112	201	630	3000
80	82	140	140	36	11	12.5	1.5	86	137	305	1110	2600
80	83	170	170	54	18	18	2.1	88	165	560	1770	2300
85	87	110	110	19	7.5	5.75	1	87	108	112	385	3000
85	88	125	125	31	12	9.5	1	90	119	217	660	2700
85	88	150	150	39	12	13.5	1.5	93	147	325	1140	2500
85	88	180	180	58	19	19.5	2.1	93	175	620	1980	2200
90	92	120	120	22	9	6.5	1	93	117	141	465	2700
90	93	135	135	35	14	10.5	1.1	95	129	290	890	2600
90	93	155	155	39	12	13.5	1.5	98	152	335	1200	2400
90	93	190	190	60	20	20	2.1	99	185	680	2200	2100
100	102	135	135	25	11	7	1	104	131	199	650	2500
100	103	150	150	38	15	11.5	1.1	107	142	340	1080	2300
100	103	170	170	42	13	14.5	1.5	107	167	380	1400	2100
100	103	210	210	67	22	22.5	3	111	205	850	2850	1900
110	112	145	145	25	11	7	1	114	141	207	700	2300
110	113	160	160	38	15	11.5	1.1	117	152	325	1030	2100
110	113	190	190	48	15	16.5	2	120	186	500	1870	1900
110	113	230	30	73	24	24.5	3	121	223	1000	3400	1700
120	122	155	155	25	11	7	1	124	151	214	760	2100
120	123	170	170	39	15	12	1.1	127	162	340	1120	2000
120	123	210	210	54	17	18.5	2.1	130	206	640	2420	1700
120	123	250	250	78	26	26	4	133	243	1170	4000	1600
130	132	170	170	30	12	9	1	135	165	250	900	1900
130	133	190	187	45	19	13	1.5	137	181	480	1520	1800
130	134	225	225	58	18	20	2.1	141	220	710	2700	1600
130	134	270	270	85	28	28.5	4	145	263	1330	4600	1400
140	142	180	178	31	12	9.5	1	145	175	260	960	1800
140	143	200	197	46	19	13.5	1.5	147	191	455	1450	1700
140	144	240	240	60	19	20.5	2.1	152	235	820	3200	1500
140	144	280	280	85	28	28.5	4	155	273	1390	4950	1400
150	152	190	188	31	12	9.5	1	155	185	270	1020	1700
150	153	215	212	50	21	14.5	1.5	158	211	590	1940	1600
150	154	250	250	60	19	20.5	2.1	162	245	840	3350	1400
150	154	300	300	90	30	30	4	167	293	1570	5700	1300
160	162	200	198	31	12	9.5	1	165	195	270	1050	1600
160	163	225	222	51	21	15	1.5	168	220	600	2030	1500
160	164	320	320	95	32	31.5	5	179	313	1780	6500	1200
170	172	215	213	34	14	10	1.1	176	209	360	1380	1500

推力圆柱滚子轴承

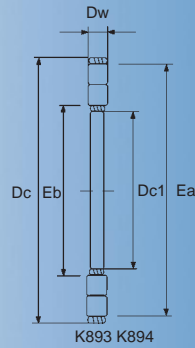
Thrust Cylindrical Roller Bearings



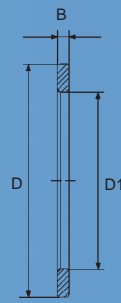
轴径 Shaft Diameter	推力圆柱滚子轴承 Thrust cylindrical roller bearing		推力圆柱滚子轴承和保持架组件 thrust cylindrical roller bearing and retainer assembly		推力轴承垫圈 Thrust bearing washer			
	型号 Code	重量 Mass Kg	型号 Code	重量 Mass Kg	座圈 Seat Ring	轴圈 Bearing Ring	轴承垫圈 bearing washer	重量 Mass Kg
mm								
170	812 34	7.69	K812 34	1.89	GS812 34	WS812 34		2.9
	894 34	51.87	K894 34	14.87	GS894 34	WS894 34		18.5
180	811 36	3.04	K811 36	0.8	GS811 36	WS811 36		1.1
	812 36	8.24	K812 36	1.98	GS812 36	WS812 36		3.13
	894 36	60.19	K894 36	17.59	GS894 36	WS894 36		21.3
190	811 38	3.84	K811 38	0.94	GS811 38	WS811 38		1.45
	812 38	10.4	K812 38/	2.73	GS812 38	WS812 38		3.835
	894 38	65.7	K894 38	14.5	GS894 38	WS894 38		25.6
200	811 40	4	K811 40	0.98	GS811 40	WS811 40		1.51
	812 40	11.91	K812 40	3.09	GS812 40	WS812 40		4.41
	894 40	74.8	K894 40	16.2	GS894 40	WS894 40		29.3
220	811 44	4.5	K811 44	1.32	GS811 44	WS811 44		1.59
	812 44	12.85	K812 44	3.35	GS812 44	WS812 44		4.75
	894 44	84.4	K894 44	20	GS894 44	WS894 44		32.2
240	811 48	7.25	K811 48	2.11	GS811 48	WS811 48		2.57
	812 48	21.95	K812 48	5.65	GS812 48	WS812 48		8.15
	894 48	87.8	K894 48	19.2	GS894 48	WS894 48		34.3
260	811 52	7.83	K811 52	2.3	GS811 52	WS811 52		2.765
	812 52	23.9	K812 52	6.1	GS812 52	WS812 52		8.9
	894 52	114	K894 52	25.5	GS894 52	WS894 52		44.25
280	811 56	10.3	K811 56	3	GS811 56	WS811 56		3.65
	812 56	25.9	K812 56	6.4	GS812 56	WS812 56		9.75
	894 56	142	K894 56	30.8	GS894 56	WS894 56		55.6
300	811 60	16.67	K811 60	4.83	GS811 60	WS811 60		5.92
	812 60	40.55	K812 60	10.15	GS812 60	WS812 60		15.2
	894 60	153	K894 60	32.7	GS894 60	WS894 60		60.15
320	811 64	17.82	K811 64	5.12	GS811 64	WS811 64		6.35
	894 64	193	K894 64	70	GS894 64	WS894 64		61.5

推力圆柱滚子轴承

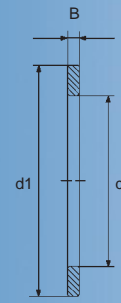
Thrust Cylindrical Roller Bearings



K893 K894



GS 811,GS 812,GS893,GS 894

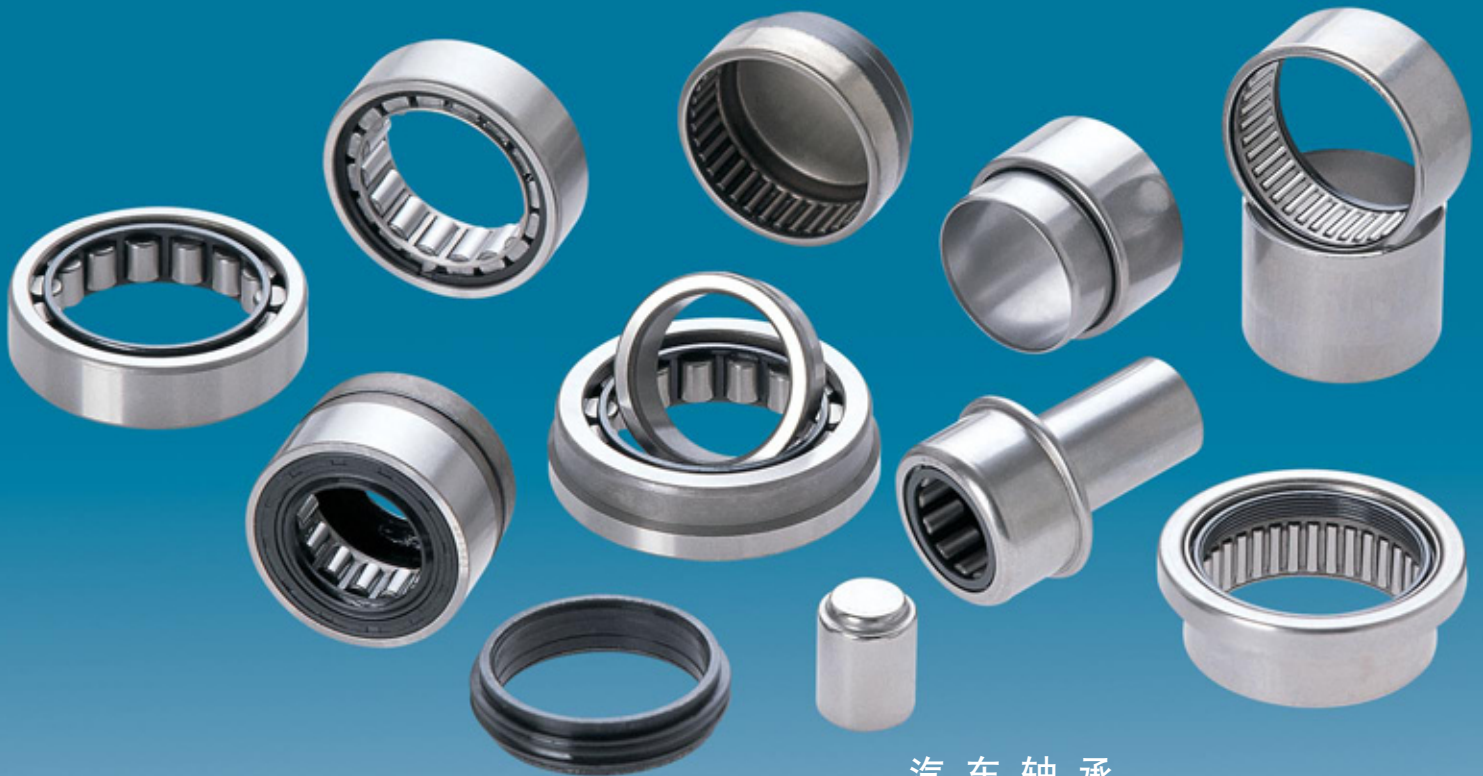


WS 811,WS 812,WS893,WS 894

尺寸 Dimension								滚道尺寸 Track size		基本额定负荷 Basic Load Rating		极限转速 Limiting Speed r/min
Dc1 d	D1	Dc D	d1	T	Dw	B	A r	Eb	Ea	Cr kN	Cor kN	
170	173	240	237	55	22	16.5	1.5	180	235	680	2340	1400
170	174	340	340	103	34	34.5	5	191	233	1990	7400	1100
180	183	225	222	34	14	10	1.1	185	219	340	1300	1400
180	183	250	247	56	22	17	1.5	190	245	690	2440	1300
180	184	360	360	109	3	36.5	5	200	351	2210	8200	1100
190	193	240	237	37	15	11	1.1	197	233	385	1500	1300
190	194	270	267	62	26	18	2	200	265	880	3000	1300
190	195	380	380	115	38	38.5	5	214	373	2450	9200	1000
200	203	250	247	37	15	11	1.1	206	243	390	1550	1300
200	204	280	277	62	26	18	2	210	275	900	3150	1200
200	205	400	400	122	40	41	5	226	393	2700	10200	950
220	223	270	267	37	15	11	1.1	226	263	420	1730	1200
220	224	300	297	63	26	18.5	2	230	296	940	3450	1100
220	225	420	420	122	40	41	6	244	411	2900	11500	900
240	243	300	297	45	18	13.5	1.5	248	296	600	2500	1100
240	244	340	335	78	32	23	2.1	261	335	1370	5000	1000
240	245	440	440	122	40	41	6	266	433	3000	12200	850
260	263	320	317	45	18	13.5	1.5	268	316	620	2650	1000
260	264	360	355	79	32	23.5	2.1	280	353	1440	5400	950
260	265	480	480	132	44	44	6	288	472	3600	14700	800
280	283	350	347	53	22	15.5	4.5	288	346	860	3650	900
280	284	380	375	80	32	24	2.1	300	373	1460	5600	850
280	285	520	520	145	48	48.5	6	311	512	4200	17600	700
300	304	380	376	62	25	18.5	2	315	373	1060	4500	850
300	304	420	415	95	38	28.5	3	328	413	1930	7300	800
300	305	540	540	145	48	48.5	6	331	533	4350	18500	700
320	324	400	396	63	25	19	2	334	394	1100	4750	800
320	325	580	575	155	68	43.5	6	340	573	5500	19900	550

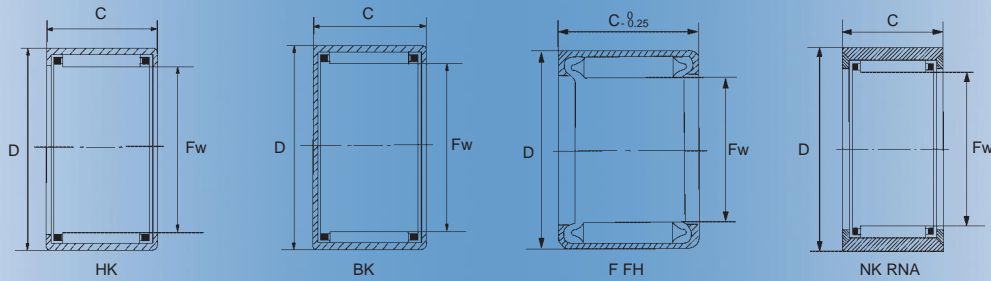
常州亚派轴承有限公司 0519-88995562

本公司可提供国产轿车、微型汽车、面包车、重载卡车、轻型车、翻斗车、装载机、农用车等各种汽车用滚针轴承、圆柱滚子轴承以及进口汽车用英制滚针轴承。



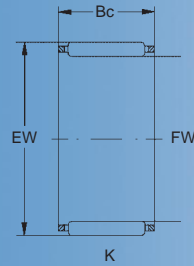
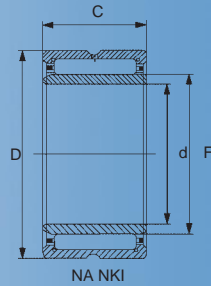
汽车轴承
Automobile Bearing

All sorts of needle roller bearing and parallel roller bearing as well as inch-system needle roller bearing used for all kinds of automobiles can be provided by our company, including home-made car, micro-car, mini-bus, heavy truck, light truck, dump body truck, loader and agricultural trucks.



轴承型号 Bearing Designation		外形尺寸 Boundary Dimensions		
现型号 Current Code	原型号 Original Code	Fw	D	C
		mm		
带保持架 with cage assemblies				
BK091312		9	13	12
BK101412		10	14	12
HK10X15X15		10	15	15
HK16X22X17	SE435	16	22	17
HK1608		16	21	8
HK1715RS	HK172315	17	23	15
HK1816		18	24	16
HK2016	57941/20	20	26	16
HK2020	77941/20	20	26	20
HK2040ZWD		20	26	40
HK22 28.5 9.5		22	28.5	9.5
HKJ24 33.5 7.5		24	33.5	7.5
HK2516	7941/25	25	32	16
HK2520	67941/25	25	32	20
HK25X34X20	57948/25	25	34	20
HK324120		32	41	20
HK323920		32	39	20
HK354230		35	42	30
HK354420		35	44	20
HK354430		35	44	30
HK4020		40	48	20
HK55X61X12	77949/55	55	61	12
满装滚针 full complement needle roller				
F12X17X12	942/12	12	17	12
F15X20X12	942/15	15	20	12
F-1714	941/17	17	23	14
F20X26X15	943/20	20	26	15
F22X28X12	949/22	22	28	12
F-2516	40941/25	25	32	16
F-2520	60941/25	25	32	20
F-2525	943/25	25	32	25
F-30X38X25	947/30K	30	38	25
F-30X40X28	948/30K	30	40	28
F-32X40X32	943/32	32	40	32
F-40X50X38	943/40	40	50	38
FH-45X55X38	943/45	45	55	38
F-50X60X38	943/50	50	60	38
MF-12X16X7		12	16	7

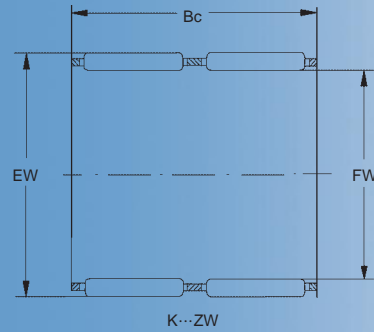
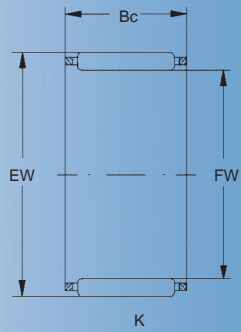
轴承型号 Bearing Designation		外形尺寸 Boundary Dimensions		
现型号 Current Code	原型号 Original Code	Fw	D	C
		mm		
MF-1212	6941/12	12	17	12
无内圈 without IR				
NK30X50X17		30	50	17
NK30X51X17		30	51	17
RNA4904	4644904	25	37	17
RNAV4004	4084104	28.7	42	22
RNA354527		35	45	27
RNA4906	4644906	35	47	17
RNA354727		35	47	27
RNA405422		40	54	22
RNA405727		40	57	27
RNA425622		42	56	22
RNA456222		45	62	22
RNAV4007	4084107	45.9	62	27
RNAV4908	4084908K	48	62	22
RNA506522		50	65	22
RNA4910	4644910	58	72	22



轴承型号 Bearing Designation		外形尺寸 Boundary Dimensions		
现型号 Current Code	原型号 Original Code	Fw	Ew	Bc
		mm		
有内圈 with IR				
NA4906	4544904	30	47	14
NAV4006	4074106	30	55	25
NKI38/20		38	53	20
NAV4910	4074910	50	72	22
NA4917	4544917	85	120	35
K55X61X20	49241/55	55	61	20
K55X62X40ZWD	9348/55K	55	62	40
K56X61X30		56	61	30
K56X61X34	9249/56	56	61	34
K60X65X30		60	65	30
K60X66X21.2	DC6J70 T-450	60	66	21.2
K60X66XX23.3		60	66	23.3
K60X66X30	9249/60	60	66	30
K62X70X20		62	70	20
K63X71X25	9246/63	63	71	25
K65X70X20	49249/65	65	70	20
K70X76X30	69241/70	70	76	30
K75X81X20	49241/75	75	81	20
K78X85X19.7	DC6J70 T-445	78	85	19.7
K78X85X23.3		78	85	23.3
K80X88X25	9246/80	80	88	25
K85X92X17.2	DC6J70T-440	85	92	17.2
K85X92X18.8		85	92	18.8

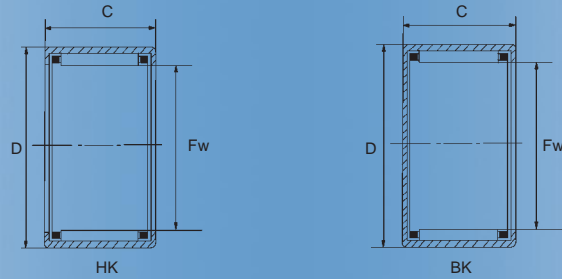
轴承型号 Bearing Designation		外形尺寸 Boundary Dimensions		
现型号 Current Code	原型号 Original Code	Dc1	Dc	Dw B1
		mm		
推力滚针和保持架组件及推力垫圈 thrust cylindrical needle and cage assemblies				
889106	AXK3047	30	47	2
AS3047		30	47	1
889107	AXK3552	35	52	2

轴承型号 Bearing Designation		外形尺寸 Boundary Dimensions		
现型号 Current	原型号 Original Code	Fw	Ew	Bc
		mm		
长圆柱滚子和保持架组件 long cylindrical roller and cage assemblies				
64903	864904	19.051	28.588	36.75
64904	64704	19.051	28.588	43.25
64904K	64805	20.612	33.325	35
KNL20X30.2X18		20	30.02	18
KNL25X38X24.7		25	38	24.7
64905		25.4	41.288	60.4
64706		29.975	42	44.1



轴承型号 Bearing Designation		外形尺寸 Boundary Dimensions		
现型号 Current Code	原型号 Original Code	Fw	Ew	Bc
		mm		
K14X18X17	59241/14	14	18	17
K15X20X20	59242/15	15	20	20
K16X23X14	K9241/10	16	23	14
K17.5X22X16		17.5	22	16
K17.5X22X17	59241/17.5	17.5	22	17
K18X28X16		18	28	16
K20X26X28		20	26	28
K20X30X20	K9249/20	20	30	20
K20X30X23	K9249/20	20	30	23
K22X28X23		22	28	23
K23X35X15.2		23	25	15.2
K24X30X17		24	30	17
K25X29X13	9242/25	25	29	13
K25X29X17	9243/25	25	29	17
K25X30X20	59242/25	25	30	20
K25X30X24		25	30	24
K25X30X25	69242/25	25	30	25
K25X30X26	SZ-436	25	30	26
K25X30X33ZWD		25	30	33
K25X32X25	39243/25	25	32	25
K25X33X24	9249/25	25	33	24
K27X32X23		27	32	23
K27X32X27	K9247/27	27	32	27
K27X40X30	49245/27	27	40	30
K27X40X43		27	40	43
K27X47X43	49245/27	27	47	43
K28X33X17	9242/28	28	33	17
K30X35X20	59241/30	30	35	20
K30X35X27	9243/30	30	35	27
K30X38X25	29244/30	30	38	25
K30X40X27	9249/30	30	40	27
K30X42X32	9248/30	30	42	32
K30X42X44.1	64706K1	30	42	44.1
K30X46X28		30	46	28
K32X37X20	59241/32	32	37	20
K32X37X25		32	37	25
K32X37X28		32	37	28
K32X37X36ZW		32	37	36
K35X40X27	9243/35	35	40	27

轴承型号 Bearing Designation		外形尺寸 Boundary Dimensions		
现型号 Current Code	原型号 Original Code	Fw	Ew	Bc
		mm		
K35X40X31	9243/35	35	40	31
K36X40X28.8ZW		36	40	28.8
K36X40X31ZW		36	40	31
K37X42X30ZW		37	42	30
K37X42X31		37	42	31
K38X43X36ZW		38	43	36
K38X44X25	59242/35	38	44	25
K38X44X28		38	44	28
K38X46X20	19244/38	38	46	20
K38X46X30	39244/38	38	46	30
K38.4X44.4X44	SZ-450	38.4	44.4	44
K40X44X26ZWK		40	44	26
K40X44X30ZWDK		40	44	30
K40X45X17	9242/40	40	45	17
K40X45X27	9243/40	40	45	27
K40X45X30		40	45	30
K40X46X17	39242/40	40	46	17
K41X48X30ZW		41	48	30
K42X48X35	79242/42	42	48	35
K43X49X31	SZ-418	43	49	31
K43X50X18	9249/43	43	50	18
K44X50X30.5ZW		44	50	30.5
K45X49X30.7ZW		45	49	30.7
K45X50X17	9242/45	45	50	17
K45X50X27	9243/45	45	50	27
K45X50X29		45	50	29
K45X50X31		45	50	31
K45X50X31ZW		45	50	31
K46X52X37	SE417	46	52	37
K48X54X25	59242/48	48	54	25
K48X54X29	9247/48	48	54	29
KS48X54X40ZW	62649/48	48	54	40
K49X55X32ZW		49	55	32
K50X55X30	9243/50	50	55	30
K50X55X40		50	55	40
K51.5X59.5X35		51.5	59.5	35
K52X58X32ZW		52	58	32
K54X62X21	9249/54	54	62	21
K55X60X30	9243/55	55	60	30



轴承型号 Bearing Designation		外形尺寸 Boundary Dimensions				
现型号 Current Code	原型号 Original Code	Fw	D	C	C1	C2
mm						
8-101-2A		17.02	23.83	17.4		
NB-101		17.02	23.83	17.53		
NB-110		15.875	23.83		22	19
09030	WAI-8-102	17.02	23.83		20.5	17
BA607		17	23.83	17.47		
A079101414		17	23.812		22.1	18.54
A079078625		17	23.812		22.1	18.54
DB-63063		17	23.812		22.1	18.54
A079103477		17	23.812		31.5	24
A079101836		17	23.812		31.5	24
DB-50430		17	23.812		31.5	24
BH36604		17.02	23.83	17.53		
BCH06604A		17.02	23.83	17.53		
8-122		17.02	23.83	17		
BCH06604(8-101-2)	BA607	17.02	23.83	17.53		
BCH06604	BA607	17.02	23.83	17.53		
DB-54703		17.02	23.83		22	18.5
8-102		17.02	23.83		20	17
N-102	BA608	17.02	23.83		20.5	17
FC-66217B		17.02	23.83		31.5	24
FC-66217A		17.02	23.83		31.5	28
FC-66217	8-109	17.02	23.83		31.5	28
DB69899E		47.063	53.12	21.5		
DBF70697		47.063	53.12		24.2	18.5
JH14070(FC66263)	DB-59722	35.61	57.2	17.8		
6408	JH16283	41.205	64.35	21		
DB70216		47	53.12	19.5		
DBF68933		50.205	58.233		26.9	18.2
DB47937	202029-1	42	49	22		
DB47260	92635	46.95	53	24.5		
DB69516EE		56.045	63.103	25		
DB69518EE		44.042	51.1	25.1		
DB69657EE		50.045	57.1	25.1		
203883		47.063	53.12	21.5		
203882.4	DBF70697	47.063	53.12		24.2	18.5

常州亚派轴承有限公司 0519-88995562

轴承型号 Bearing Designation		外形尺寸 Boundary Dimensions							
现型号 Current Code	原型号 Original Code	Fw	d	Ew	D	B	C	C1	C2
		mm							
R1535TAV		28.18		47		16.7			
R1558TAV	C05-J-040	19.088		31.77		15.367			
R1559TV	F45087	41.201		64.292		21.082			
R1563TAV	F45084	35.56		57.16		17.78			
A9			35	65				30.4	17.1
EUR308-203		43.8	35		62		18.2		
ARE308-203		43.8	35		62		18.2		
308-203		43.8	35		60.2		18.2		
R1579F	A20		39.7		79.992			35	20.1
BRK1559TV	RP6408	41.097			65.476		39.4		
BRK1563TAV	RP5707	35.534			58.287		36.9		
A10			39.7		73.05			39.9	18.6

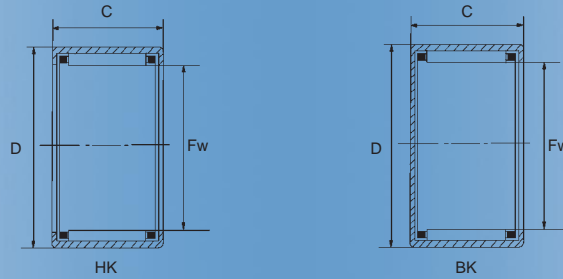
常州亚派轴承有限公司 0519-88995562

非标轴承

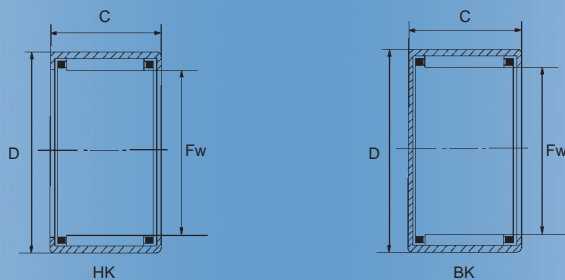


非标轴承
Non-Standard Bearings

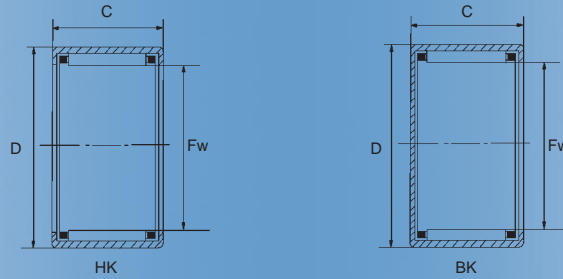
Non-Standard Bearings



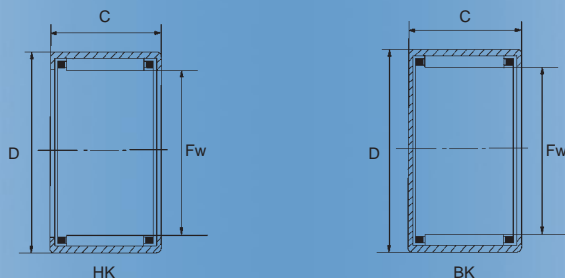
轴径 Shaft Diameter	轴承型号 Bearing Designation		重量 Mass 近似 Approx	外形尺寸 Boundary Dimensions			额定负荷 Basic Load Rating		极限转速 Limiting Speed
	现型号 Current Code	原型号 Original Code		Fw	D	C	动 Dynamic	静 Static	油润滑 Oil
				mm			N		rpm
5	HK/5X9X8			5	9	8			
	HK/5X9X13			5	9	13			
	HK/5X10X10			5	10	10			
6	HK/6X12X10			6	12	10			
6.342	HK/6.342X9.53X11.11			6.342	9.53	11.11			
	HK/6.342X10X11			6.342	10	11			
7	HK/7X11X5.8			7	11	5.8			
	HK/7X12X8			7	12	8			
8	HK/8X12X15			8	12	15			
	BK/8X12.75X8			8	12.75	8			
	BK/8X14X10			8	14	10			
	HK/8X14X10			8	14	10			
	HK/8X14X12			8	14	12			
	HK/8X15X10			8	15	10			
9	HK/9X15X10			9	15	10			
	HK/9X15X13			9	15	13			
	HK/9X16X13.5			9	16	13.5			
10	HK/10X13X8			10	13	8			
	HK/10X14X15			10	14	15			
	HK/10X15X15			10	15	15			
	HK/10X16X10			10	16	10			
	BK/10X16X12A			10	16	12			
	BK/10X16X12K			10	16	12			
	HK/10X16X12			10	16	12			
	HK/10X16X15			10	16	15			
	BK/10X16X15			10	16	15			
	BK/10X17X12			10	17	12			
	HK/10X17X12TN			10	17	12			
	HK/10X17X12			10	17	12			
	HK/10X17X15			10	17	15			
	HK/10X18X12			10	18	12			
11	BK/11X15.5X15			11	15.5	15			
12	HK/12X16X12			12	16	12			
	HK/12X17X10			12	17	10			
	HK/12X17X12	37942/12K		12	17	12			
	HK/12X17X15	47942/12K		12	17	15			
	HK/12X17X18	57942/12K		12	17	18			
	HK/12X18X12	37942/12		12	18	12			
	BK/12X18X12	359472/12K		12	18	12			



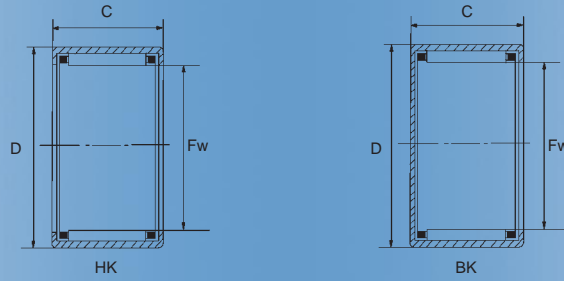
轴径 Shaft Diameter	轴承型号 Bearing Designation		重量 Mass 近似 Approx	外形尺寸 Boundary Dimensions			额定负荷 Basic Load Rating		极限转速 Limiting Speed
	现型号 Current Code	原型号 Original Code		Fw	D	C	动 Dynamic	静 Static	油润滑 Oil
				mm			N		rpm
12	HK/12X18X12-RS			12	18	12			
	HK/12X18X14	67942/12		12	18	14			
	HK/12X18X18			12	18	18			
	HK/12X19X12			12	19	12			
	HK/12X19X25	TA1225		12	19	25			
12.95	HK/12.95X19X18.9			12.95	19	18.9			
13	HK/13X19X10			13	19	10			
	HK/13X19X12		0.01	13	19	12			
	HK/13X20X12			13	20	12			
13.5	HK/13.5X19X12			13.5	19	12			
	HK/13.5X20X12	7941/13.5	0.012	13.5	20	12			
14	HK/14X19X12			14	19	12			
	HK/14X20X7			14	20	7			
	HK/14X22X17			14	22	17			
15	HK/15X20X7			15	20	7			
	HK/15X20X8			15	20	8			
	HK/15X20X12	37941/15K		15	20	12			
	HK/15X20X16	57941/15K		15	20	16			
	HK/15X20X20	77941/15K		15	20	20			
	HK/15X21X12	7941/15	0.0107	15	21	12			
	BK/15X21X22	BK1522	0.025	15	21	22			
	HK/15X21X22	HK1522	0.021	15	21	22			
	BK/15X22X12	7948/15		15	22	12			
16	HK/15X22X12.5	7948/15K		15	22	12.5			
	HK/16X21X6			16	21	6			
	HK/16X21X9			16	21	9			
	HK/16X22X17	SE435		16	22	17			
	HK/16X22X22	HK1622		16	22	22			
17	HK/17X21.5X15	BTM1715		17	21.5	15			
	HK/17X24X15			17	24	15			
	HK/17X25X14	37942/17K		17	25	14			
	HK/17X25X14RS			17	25	14			
	HK/17X25X15.5			17	25	15.5			
	HK/17X25X15.5-RS	HK172515.5-RS		17	25	15.5			
	HK/17X25X18			17	25	18			
	HK/17X25X18-RS			17	25	18			
18	HK/17X25X20-RS			17	25	20			
	HK/18X24X20			18	24	20			
19	HK/19X27X16	TA1916		19	27	16			



轴径 Shaft Diameter	轴承型号 Bearing Designation		重量 Mass 近似 Approx	外形尺寸 Boundary Dimensions			额定负荷 Basic Load Rating		极限转速
	现 型号 Current Code	原 型号 Original Code		Fw	D	C	动 Dynamic	静 Static	油 润 滑 Oil
				mm			N		rpm
20	BK/20X26X30	BK230	0.043	20	26	30			
	HK/20X26X30	HK2030	0.041	20	26	30			
	HK/20X27X18			20	27	18			
	HK/20X27X20			20	27	20			
	HK/20X27X30			20	27	30			
	HK/20X28X16	47942/20		20	28	16			
	HK/20X29X18			20	29	18			
	HK/20X29X18-RS	HK202918-RS		20	29	18			
22	HK/22X28X7.5TN			22	28	7.5			
	HK/22X29X30	HK222930		22	29	30			
	HK/22X30X14	37942/22		22	30	14			
24	HK/24X30X7.5TN			24	30	7.5			
25	BK/25X32X26	BK2526		25	32	26			
	HK/25X32X26	HK2526		25	32	26			
	BK/25X32X38	BK2538	0.077	25	32	38			
	HK/25X32X38	HK2538	0.073	25	32	38			
	HK/25X33X10			25	33	10			
	HK/25X33X15			25	33	15			
	HK/25X34X20	57948/25	0.0455	25	34	20			
27.4	HK/27.4X35X20			25	35	20			
28	HK/28X31.14X13.8			28	35	16			
	HK/28X35X20-OH			28	35	20			
	HK/28X35X25	TLA283525		28	35	25			
	HK/28X35X30			28	35	30			
	HK/28X35X30-RS			28	35	30			
	HK/28X36X25			28	36	25			
	HK/28X38X25			28	38	25			
30	BK/30X37X26	BK3026	0.067	30	37	26			
	HK/30X37X30			30	37	30			
	BK/30X37X38	BK3038		30	37	38			
	HK/30X37X38	HK3038		30	37	38			
	HK/30X38X12			30	38	12			
	HK/30X38X16	47941/30K	0.093	30	38	16			
	HK/30X38X24	77941/30K	0.087	30	38	24			
	HK/30X38X24K			30	38	24			
HK/30X38X32	7943/30		30	38	32				
31	HK31X37X7.2TN			31	37	7.2			
32	HK/32X38X11			32	38	11			
	HK/32X19X16			32	38	16			



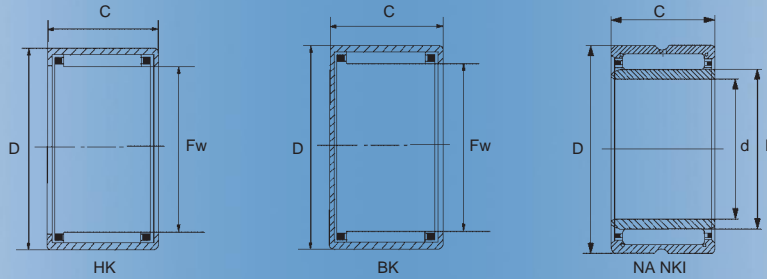
轴径 Shaft Diameter	轴承型号 Bearing Designation		重量 Mass 近似 Approx g	外形尺寸 Boundary Dimensions			额定负荷 Basic Load Rating		极限转速 Limiting Speed
	现型号 Current Code	原型号 Original Code		Fw	D	C	动 Dynamic	静 Static	油 润 滑 Oil
				mm			N		rpm
32	HK/32X39X16			32	19	16			
	HK/32X39X20			32	39	20			
	HK/32X39X24			32	39	24			
	HK/32X40X20K			32	40	20			
	HK/32X40X32			32	40	32			
	HK/32X41X16			32	41	16			
	HK/32X41X20			32	41	20			
33	HK/33X48X15			33	48	15			
35	HK/35X43X16	47941/35K		35	43	16			
	HK/35X43X25	77941/35K		35	43	25			
	HK/35X43X32	7943/35		35	43	32			
	HK/35X44X20			35	44	20			
	HK/35X44X20.5			35	44	20.5			
	HK/35X44X30			35	44	30			
	HK/35X45X12			35	45	12			
	HK/35X45X25			35	45	25			
	HK/35X45X30			35	45	30			
36	HK/36X42X12			36	42	12			
38	HK/38X34X25			38	34	25			
	HK/38X45X20			38	45	20			
	HK/38X48X30			38	48	30			
40	HK/40X50X32	7942/40		40	50	32			
	BKH/40X50X38	95942/40		40	50	38			
45	HK/45X55X30			45	55	30			
	HK/45X55X38	7943/45		45	55	38			
50	HK/50X57X16			50	57	16			
	HK/50X57X19			50	57	19			
	HK/50X58X12	HK5012	0.06	50	58	12			
	HK/50X58X12-ASI	HK5012-ASI		50	58	12			
	HK/50X58X18			50	58	18			
	HK/50X58X22-RS	HK5022-RS		50	58	22			
	HK/50X58X25	HK5025	0.1137	50	58	25			
	HK/50X60X13.9			50	60	13.9			
	HK/50X60X38			50	60	38			
55	HK/50X62X30			50	62	30			
	HK/50X62X45			50	62	45			
	HK/55X61X12	77949/55		55	61	12			
60	HK/60X68X12			60	68	12			
	HK/60X68X20			60	68	20			



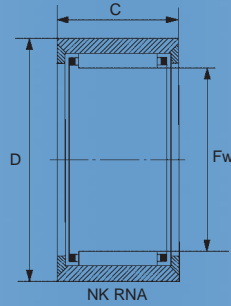
轴径 Shaft Diameter	轴承型号 Bearing Designation		重量 Mass 近似 Approx	外形尺寸 Boundary Dimensions			额定负荷 Basic Load Rating		极限转速 Limiting Speed
	现型号 Current Code	原型号 Original Code		Fw	D	C	动 Dynamic	静 Static	油润滑 Oil
mm			g	mm			N		rpm
60	HK/60X68X32-2RS			60	68	32			
	FC69066			9.525	14.288	12.7			
	FC67429			8	12	10			
	FC66901.3			28	33.82	19			
	FC69990			34.4	40.22	19			
	2.03.003.0000				85	15.5			
	2.03.004.0000				92	22.5			
	DG11			18.42	36.5	20			
	DG138			21.7	36.7	19			

非 标 轴 承

Non-Standard Bearings



轴径 Shaft Diameter	轴承型号 Bearing Designation		重量 Mass 近似 Approx	外形尺寸 Boundary Dimensions				
	现型号 Current Code	原型号 Original Code		d	Fw	D	B	C
mm			g	mm				
6	FJ-69			6		10	9	
6.35	PD550989				6.35	11.11		11.16
9	DB69612-RS				9	16		12
10	DB1012				10	16.05		12
12	DB1210				12	18		10
12	NAV12X32X15V			12		32	15	
15	056105313-C				15	21		15
15.64	ENO2133-A				15.64	22.22		15.875
15.875	DCL108				15.875	20.638		12.7
16	SH16428			16		42	8.2	8
	BG304				16	22		16
19.658	ENO2115-A				19.658	28		12
20	NAV20X36X20.5			20		36	20.5	
25.095	F119				25.095	34.13		20
27.35	SY283				27.35	35.5		14.4
30	NU2206X2E	32506E	270	30		72	20	
34.925	DCL228				34.925	41.275		12.7
38	NKI386846			38		68	46	
40	960508				40	78	27	
42	DB47937				42	49		22
44.042	DB69518-EE				44.042	51.1		25.1
46.95	DB47260				46.95	53		24.5
35	AT565493B			35	49.5	80		33
50.045	DB69657-EE				50.045	57.1		25.1
54.61	A3419			54.61		90.86		20.57
55	NBA118850				55	67		20
56.045	DB69516-EE				56.045	63.103		25
190	NAV190X245X42			190		245	42	27
16	WN16428			16		42	8.2	8
25	WN25887.3			25	58.9	88	7.4	



轴 径 Shaft Diameter	轴 承 型 号 Bearing Designation		重 量 Mass 近 似 Approx	外 形 尺 寸 Boundary Dimensions				
	现 型 号 Current Code	原 型 号 Original Code		d	Fw	D	B	C
mm			g	mm				
28	RNA283627				28	36		27
	RNA283827				28	38		27
30	RNA324727K				30	47		27
32	RNA324527				32	45		27
	RNA324727				32	47		27
35	RNA354427				35	44		27
	RNA354527				35	45		27
	RNA355730				35	57		30
36	RNA365225				36	52		25
40	RNA405030				40	50		30
	RNA405422				40	54		22
	RNA405727				40	57		27
42	RNA425622				42	56		22
45	RNA456222				45	62		22
	RNA456527K				45	62		27
50	RNA506414				50	64		14
	RNA506522				50	65		22
	RNA506727				50	67		27
	RNA506845				50	68		45
92.7	RNA92.7X115X40				92.7	115		40
12	RNAV501203				12	19		12
16	RNAV162416				16	24		16
81.5	RNAV81.5X100X28				81.5	100		28
10	NK101612				10	16		12
16	NK162616				16	26		16
20	NK202616				20	26		16
	NK202620				20	26		20
22	NK223616				22	36		16
24	NK2433.57.5				24	33		7.5
25	NK253422				25	34		22
	NK253825				25	38		25
	NK25887.5				25	88		7.5
	NK254717.5NRPX1				25	47		17.5
30	NK304630				30	46		30
35	NK354512				35	45		12
96	NK9611529				96	115		29

轴 径 Shaft Diameter	轴 承 型 号 Bearing Designation		重 量 Mass 近 似 Approx	外 形 尺 寸 Boundary Dimensions				
	现 型 号 Current Code	原 型 号 Original Code		d	Fw	D	B	C
mm			g	mm				
5	SSNK5/10				5	10		10
8	SSNK8/12				8	15		12
	SNK8/12TN				8	15		12
19.05	NCS1212				19.05	31.75		19.05
22	ENK223516				22	35		16
22.23	NCS1412				22.23	34.93		19.05
	NCS1416				22.23	34.93		25.4
24	TAF243614				24	36		14
25	TR253825				25	38		25
	FNK25/13				25	39		13
25.4	NCS1612				25.4	38.1		19.05
	NCS1616				25.4	38.1		25.4
	MRS162416				25.4	38.1		25.4
28.575	NCS1820				28.575	41.275		31.75
31.75	NCS2012				31.75	44.45		19.05
	NCS2016				31.75	44.45		25.4
	NCS2020				31.75	44.45		31.75
32	TAF324720				32	47		20
35	TR354830				35	48		30
	TR355034				35	50		34
	NKZ34X56X27				35	56		27
	TR355730				35	57		30
40	TR405530				40	55		30
47.63	NCS3016				47.63	61.91		25.4
60	TAW6045-Z				60	72		45
70	TAW7050-ZC				70	82	50	